

en

Sliding Gate Operator Installation Manual*

fr

Manuel d'installation de l'opérateur de portail coulissant

nl

Installatiehandleiding schuifhekaandrijving

de

Installationshandbuch für Schiebetorantriebe

cs

Návod k instalaci pohonu posuvné brány

sk

Návod na inštaláciu pohonu posuvnej brány

* For GB (UK, NI) specific information on national regulations and requirements see English part of the manual.

TABLE OF CONTENTS

NOTE: The original installation and operating instructions were compiled in English. Any other available language is a translation of the original English version.

1. SAFETY INSTRUCTIONS AND INTENDED USE.....	2
2. DELIVERY SCOPE.....	4
3. TOOLS NEEDED.....	4
4. OVERVIEW OF GATE OPERATOR.....	4
5. MECHANICAL INSTALLATION.....	5
5.1 Dimensions of Gate and Operator.....	5
5.2 Installing Base Plate.....	5
5.3 Emergency Release Mechanism.....	5
5.4 Installing Motor on the Base Plate.....	6
5.5 Gate Rack Mounting.....	6
5.6 Power Wiring.....	6
5.7 Limit Switch Position Set Up.....	6
5.8 Access to the control Board and Motor connection.....	7
6. WIRING DIAGRAM.....	8
7. PROGRAMMING.....	9
7.1 Display, Programming Buttons and Function Setting.....	9
7.2 General Programming Overview.....	9
7.3 Wing Movement Direction.....	10
7.4 Basic Settings.....	10
7.4.1 Application Settings.....	10
7.4.2 Direction Motor Settings.....	10
7.4.3 Limit Learning.....	10
7.5 Stand-by Mode.....	11
7.6 Programming and Erasing of Remote Controls, Radio Accessories and myQ Devices.....	12
7.7 Advanced Settings.....	13
7.7.1 Overview Advanced Settings.....	13
7.7.2 Transmitter Settings.....	13
7.7.3 Infrared Photocells Settings.....	13
7.7.4 Input Settings.....	13
7.7.5 Partial Opening.....	14
7.7.6 Timer To Close.....	14
7.7.7 Reversal Time after Impact.....	14
7.7.8 E-Lock / Mag-Lock Settings.....	14
7.7.9 Flashing Light Settings.....	14
7.7.9a Pre-Flashing.....	14
7.7.10 Special Contact Settings.....	14
7.7.11 Start Speed in Open and Close Directions.....	15
7.7.12 Maintenance Counter.....	15
7.8 Factory Default Settings.....	15
7.9 Finish and Exit.....	15
8. BATTERY BACKUP.....	15
9. ERROR CODES.....	16
10. TECHNICAL DATA.....	17
11. MAINTENANCE.....	18
12. DISPOSAL.....	18
13. WARRANTY.....	18
14. DECLARATION OF CONFORMITY.....	18

1. SAFETY INSTRUCTIONS AND INTENDED USE

About this Manual – Original Manual

These instructions are the original operating instructions according the machinery directive 2006/42 EC. The instruction manual must be read carefully to understand important product information. Pay attention to the safety and warning notices. Keep the manual in safe place for future reference and to make it available to all persons for inspection, service, maintenance and repair. After installation pass the complete documentation to the responsible person/owner.

Qualification of a competent installer

Only correct installation and maintenance by a competent installer (specialist) / competent company, in accordance with the instructions, must understand and ensure the safe and intended function of the installation. Specialist is, who on the basis of their technical training and experience, has sufficient knowledge in the field of powered gates and moreover is familiar with relevant state occupational safety regulations and generally accepted rules of technology in such an extent that he is also able to assess the safe working condition of powered gates according to EN 13241, 12604, 12453 (EN12635)

The installer must understand the following:

Before installing the drive, check that the driven part is in good mechanical condition, opens and closes properly and correctly balanced where applicable.




Before first use and at least annually a specialist must inspect powered gate regarding their safe condition. After installation, the installer must ensure that the mechanism is properly adjusted and that the protection system and any manual release function correctly (EU: EN 13241, EN12604, EN 12453, EN 12635; GB (UK, NI) BS EN 13241, BS EN12604, BS EN 12453, BS EN12635). A regular maintenance, inspection must be carried out according to the standards. The installer must instruct other users on the safe operation of the drive system.

After successful installation of the drive system, the responsible installer, in accordance with the EU: Machinery Directive 2006/42/EC; GB (UK, NI): Supply of Machinery (Safety) Regulations 2008 SI 2008 No. 1597, must issue the EU: CE / GB (UK,NI): UK declaration of conformity for the gate system. The EU: CE / GB (UK,NI): UKCA mark label must be attached to the gate system. This is also obligatory in the process of retrofitting on a manually operated gate. Further, a handover pack and an inspection book must be completed.

Please read the operating instructions and especially the precautions. The following symbols are placed in front of instructions to avoid personal injury or damage to property. Read these instructions carefully.

Warnings Symbols

The general warning symbol indicates a danger that can lead to injuries or death. In the text section, the general warning symbols are used as described below.

DANGER Symbol	WARNING Symbol	CAUTION Symbol	ATTENTION Symbol
 DANGER	 WARNING	 CAUTION	ATTENTION
Indicates a danger that leads directly to death or serious injuries.	Indicates a danger that can lead to death or serious injuries.	Indicates a danger that can lead to damage or destruction of the product.	Indicates a danger that can lead to damage or destruction of the product.

Intended use

The sliding gate operator is exclusively designed and tested for the operation of smooth-running sliding gates in the residential, non-commercial sector.

Specification for gates are defined under mechanical requirements according EU: EN12604 / GB (UK, NI): BS EN 12604.

The maximum permissible gate size and the maximum weight must not be exceeded. The gate must open and close smoothly by hand. Use the operator on gates which comply with the applicable standards and guidelines. Regional conditions of wind loads must be taken into account when using door or gate panels EU: EN13241 / GB (UK, NI): BS EN 13241. Observe the manufacturer's specifications regarding the combination of door and operator. Possible hazards within the meaning of EU: EN13241 / GB (UK, NI): BS EN 13241 are to be avoided by designing and installing the door/gate according to the relevant instructions. This gate mechanism must be installed and operated in accordance with the appropriate safety rules.

Improper use

It is not intended for continuous operation and use in a commercial application.

The construction of the drive system is not designed for the operation of gates outside of manufacturers specification.

It is not permitted on gates that travel with incline/decline.

Any improper use of the drive system could increase the risk of accidents. The manufacturer assumes no liability for such usage. With this drive, automated gates must comply with the current, valid international and country-specific/local standards, guidelines and regulations (EU: EN 13241, EN12604, EN 12453; GB (UK, NI) BS EN 13241, BS EN12604, BS EN 12453).

Only Chamberlain and approved accessories may be connected to the drive. Incorrect installation and/or failure to comply with the following instructions may result in serious personal injury or damage to property.

Gate systems located in public areas and have only force limitation, can only be operated under full supervision.

Additional safety devices should be considered in accordance with EU: EN 12453; GB (UK, NI) BS EN 12453.

1. SAFETY INSTRUCTIONS AND INTENDED USE

During operation, the gate should not under any circumstances obstruct public path ways and roads (public area).

When using tools and small parts to install or carry out repair work on a gate exercise caution and do not wear rings, watches or loose clothing.

To avoid serious personal injury due to entrapments, remove any locking device fitted to the gate in order to prevent damage to the gate.

Installation and wiring must be in compliance with your local building and electrical installation regulations. Power cables must only be connected to a properly earthed supply.

Disconnect electric power to the system before installation, maintenance, repairs or removing covers. A disconnecting device must be provided to the mains power supply (permanently-wired installation) to guarantee all-pole disconnection (isolating switch or by a separate fuse). The repairs and electrical installations may be performed only by an authorised electrician. Emergency Stop Button must be installed for emergency case based on the risk assessment.

Ensure that entrapment between the driven part and the surrounding fixed parts due to the opening movement of the driven part is avoided by respecting the given safety distances in accordance with the EU: EN 13241, EN12604, EN 12453, EN 12635; GB (UK, NI) BS EN 13241, BS EN12604, BS EN 12453, BS EN12635 and/or with safety devices (e.g. safety edge).

Testing of the safety function of the drive system is recommended to be carried out at least once a month. Refer also to manufacturers instruction of the gate system components.

After the installation a final test of the full function of the system and the of the safety devices must be made and all users must be instructed in the function and operation of the sliding gate operator.

Gate systems must meet the force limitation according EU: EN 12453, EN 60335-2-103; GB (UK, NI) BS EN 12453, BS EN 60335-2-103.

Additional safety device (safety edge,.) must be considered in accordance to the standard by changes to the system.

It is important to make sure that the gate always runs smoothly. Gates which stick or jam must be repaired immediately. Employ a qualified technician to repair the gate, never attempt to repair it yourself. This device is not intended for use by persons (including children) with restricted physical, sensory or mental abilities or lack of experience or knowledge, unless they are supervised by a person responsible for their safety or have received instruction in how to use the device. If necessary, control equipment MUST be mounted within sight of the gate and out of reach of children. Children should be supervised to ensure that they do not play with the device. Do not allow children to operate push button(s) or remote(s). Misuse of the gate operator system can result in serious injury.

The warning signs should be placed in clearly visible locations.

The gate opener should ONLY be used if the user can see the entire gate area and is assured that it is free of obstacles and the gate operator is set correctly. No one may pass through the gate area while it is moving. Children must not be allowed to play in the vicinity of the gate.

The full protection against potential crushing or entrapment must work immediately when the drive arms are installed.

There may be existing hazards on mechanical, electrical installation or the closing edges of the gate by crushing, impact points:

- Structural failure, leaf, hinges, fixings, travel stops, wind load
- Crush, hinge area, under the gate, safety distance on fixed object
- Electrical failure (Control – faults in safety systems)
- Impact, swept area, hold to run, force limitation, presence detection

Appropriate measures must be taken to ensure safe operation of the gate system according the standards.

Never start up a damaged drive.

Use the manual release only to disengage the drive and – if possible – ONLY when is gate closed. Operation of the emergency manual release can lead to uncontrolled movements of the gate. The Timer-to-Close (TTC) feature, the myQ Smartphone Control app, are examples of unattended operation of the gate.

Any device or feature that allows the gate to close without being in the line of sight of the gate is considered as unattended open/close.

The Timer-to-Close (TTC) feature, the myQ Smartphone Control, and any other myQ devices can ONLY be activated when Chamberlains photo cells are installed (TTC works only in close direction). The gate shall only be operated in the direct sight line to the gate.

IMPORTANT INFORMATION!

- This procedure is also required on private installations (new or retrofitted to a manually operated gate).
This installation and operating manual must be retained by the user.
- The manufacturer accepts no liability/warranty claims resulting from use other than intended use and after the warranty expires.
- The legal remedy is the sole responsibility for all associated rights.

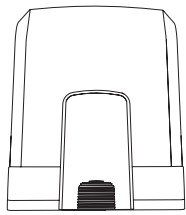
NOTE: Observe the installation and operating manual.

- Always monitor the function of the system and rectify the cause immediately in the event of a malfunction.
- Carry out an annual inspection of the system. Call a specialist.
- Safety distances must be respected between the gate leaf and the environment in accordance with related standards.
- The operator can be installed Only on stable and rigid gate leaves. Gate leaves must not bend or twist when opening and closing.
- Assure that the hinges of the gate leaf are installed and working correctly and not creating any obstacles.
- Installation of two operators on same door leaf is strictly prohibited.
- Observe the corresponding requirements of the local, national regulations for compliance with the measures to protect human health, which must be observed when contacting other people, including employees, suppliers and customers (e.g. safety distance, mask requirement, etc).
- Precise information can be requested from the local authorities.

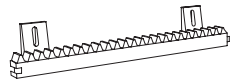
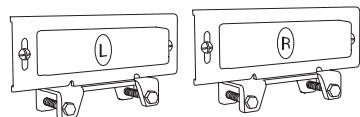
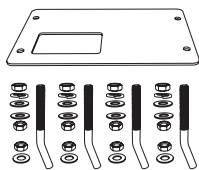


2. DELIVERY SCOPE

CHSL400EVC



Motor unit with control board



Plastic Rack (12x33 cm)



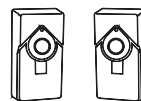
Remote Control (2x)



Release Key (2x)

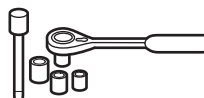
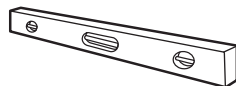
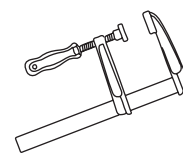
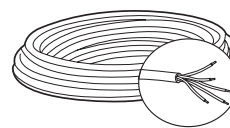
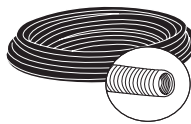
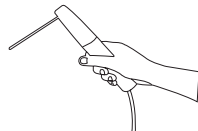
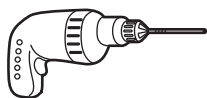
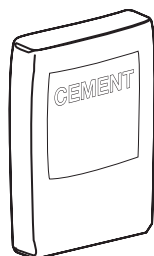


Installation Manual



Photocell

3. TOOLS NEEDED

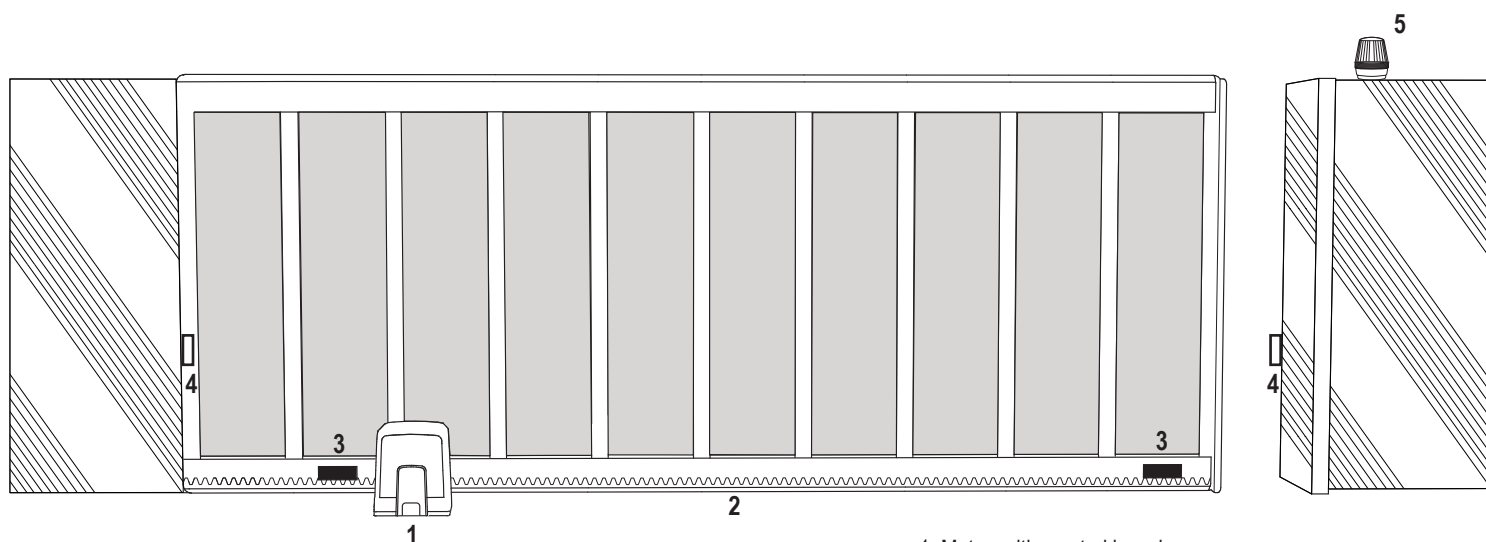


8, 13 mm



8, 13 mm

4. OVERVIEW OF GATE OPERATOR



1. Motor with control board
2. Rack
3. Magnet brackets
4. Infrared photocells
5. Flashing lamp

5. MECHANICAL INSTALLATION

Herewith you start mechanical installation of the gate operator.

5.1 Dimensions of Gate and Operator

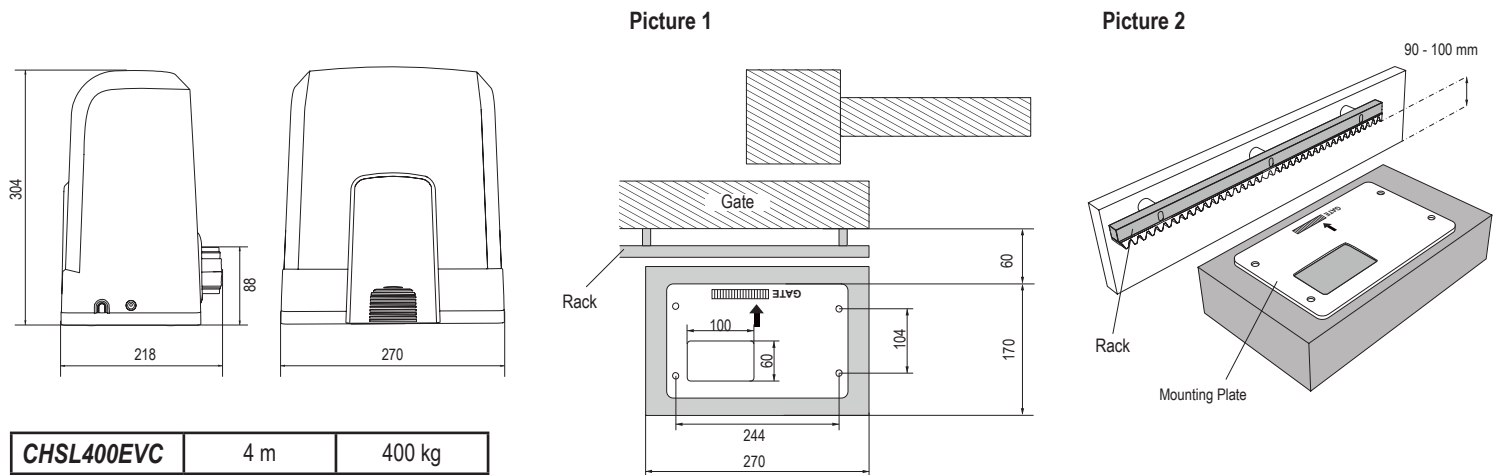
CHSL400EVC

General information and conditions for set-up.

Before installing the gate operator ensure that the gate is running smoothly. The weight of the door is not allowed to be completely placed on the motor shaft. Ensure that all the required cables (power cable, accessory cables etc) are prepared and laid correctly before the base plate is installed in the concrete.

NOTE:

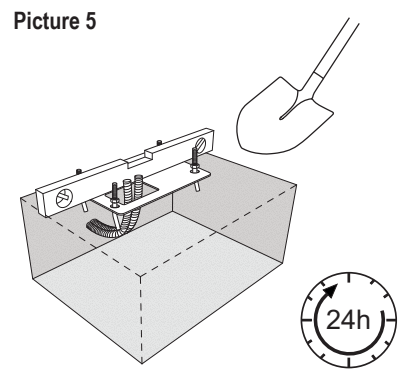
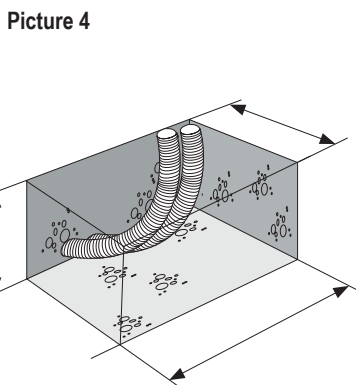
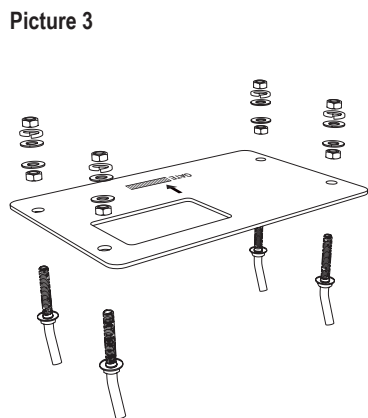
All crushing points must be secured by an entrapment protection according to EU: EN 12453, EN 60335-2-103; GB (UK, NI): BS EN 12453, BS EN 60335-2-103.



5.2 Installing Base Plate

1. Take the anchor screw and put one nut until the bottom of the tread. Add a washer and insert it from the bottom into base plate. Secure from top with a second nut.
2. Repeat for remaining 3 anchor screws (see picture 3).
3. Get the prepared cables (see picture 4) through the hole in the base plate.
4. Set the base plate into prepared concrete work. Ensure the plate is positioned correctly to the gate respecting the required space to gate and rack (see picture 1). The arrow on the base plate needs to show towards gate. Align the base plate and finalise the concrete work.
5. Let the concrete base dry for at least 24h before proceeding (see picture 5).

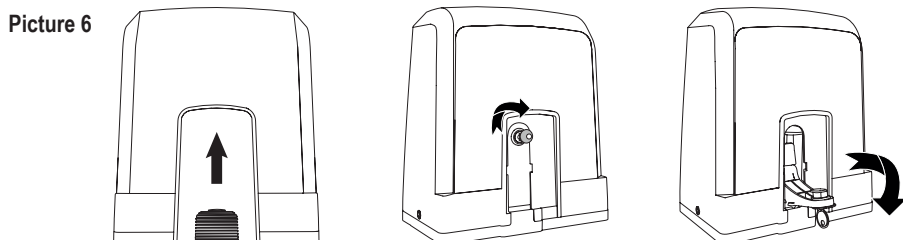
NOTE: When installing a base plate ensure that later operator mounting and position adjustment with the setting screws is still possible at later stages if required.



5.3 Emergency Release Mechanism

- Remove the small front plastic cover from the operator.
- Put the key into keyhole and turn it right 90°.
- Pull the lever down.

To re-engage the operator follow the procedure backwards.

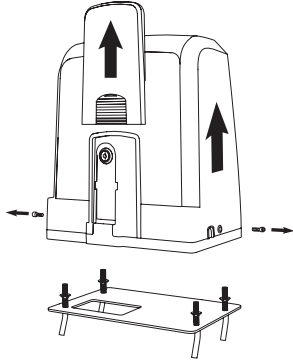


5. MECHANICAL INSTALLATION

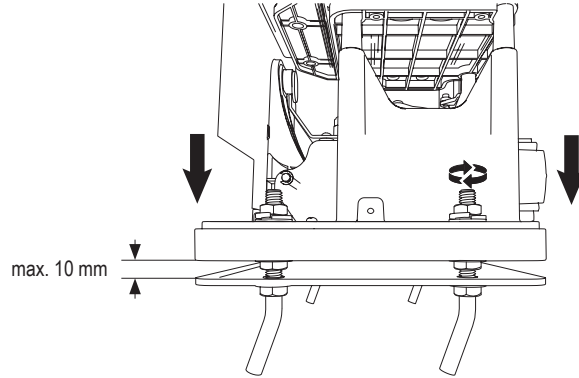
5.4 Installing Motor on the Base Plate

1. Once the base plate is fixed, raise the nut securing the base plate from the top about 5-10 mm and add a washer.
2. Remove the small front plastic cover from the operator and make a manual release by putting the key into keyhole, turning right and pulling the lever down (see manual release page 5).
3. Remove the 2 screws on the sides of the cover (see picture 7).
4. Remove the Operator cover and put the operator on the base plate using the anchor screws and hole in the operator housing. Note: there must be distance between the base plate and the operator housing (5-10 mm) for later height adjustments possibilities (see picture 8).
5. Feed the cables through the respective hole in the operator housing bottom.
6. Secure the operator using washer, spring washer and the nut as shown in picture 8.

Picture 7



Picture 8



5.5 Gate Rack Mounting

1. Manually move the gate into CLOSED position.
2. The steel or nylon rack can be attached by welding (steel only) or with screws (see picture 9). Put the first rack segment at the end of the gate so that it connects to the operator sprocket as shown in the picture 10 and attach the rack to the gate. Then move the gate and attach the next rack segment near to the previous segment. Proceed this way until you will reach complete OPEN position.

NOTE: At all times consider that the rack does not completely lie on the operator sprocket or has too much distance to it.

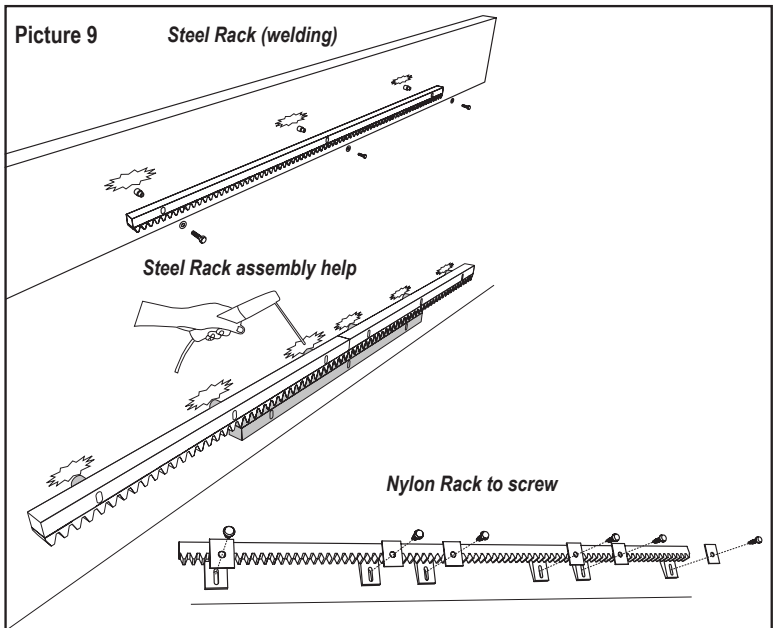
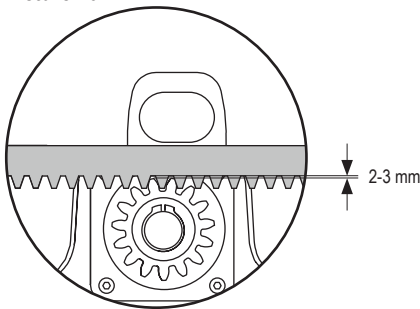
Before assembly:

- Check whether the required screw-in depth available.
- Use the supplied connecting elements (screws) to assemble the racks.
- Attach the rack segment at the right position by using the delivered screws.

NOTE:

The material type and thickness at the mounting position of the rack must be considered. The operator must be disengaged.

Picture 10

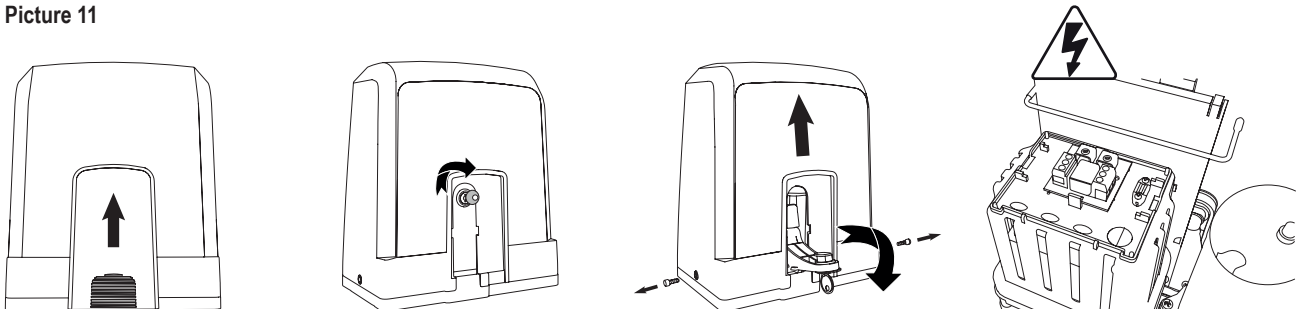


5.6 Power Wiring

Mains power wiring must be done by a certified electrician specialist.
To connect the mains power supply please remove the operator cover as described above.



Picture 11



5. MECHANICAL INSTALLATION

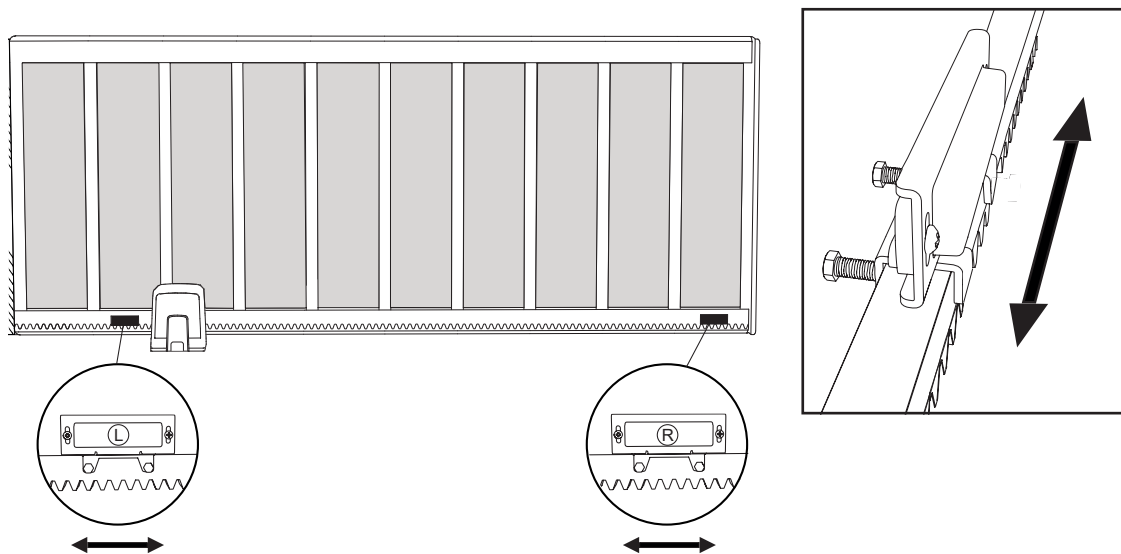
5.7 Limit Switch Position Set Up

1. Ensure the operator is powered.
2. Position the brackets with magnets on the left and right ends of the rack where the end positions are assumed. The magnets are marked with L for left side and R for right side and shall be positioned on the right or on the left from operator (see picture 12). The bracket positions can be adjusted by sliding the bracket alongside the rack.
3. With the manually released operator move the gate in OPEN direction to reach the magnet fixed on the racks. Ensure dimension between magnet and limit switch are maintained (see picture 13).
4. When reached, section of the upper right digital segment on display will be on.
5. If needed, adjust the position of the magnet, verify that the upper right digital will be on and fix the screws of the magnet bracket.
6. Repeat the same in CLOSE direction to reach the magnet fixed at the Close position on the opposite side of the gate.
7. When reached, section of the lower right digital on display will be on.
8. If needed, adjust the position of the magnet, verify that the lower right digital will be on and fix the screws of the magnet bracket.
9. Move the gate in in the middle position (between open and close limit).

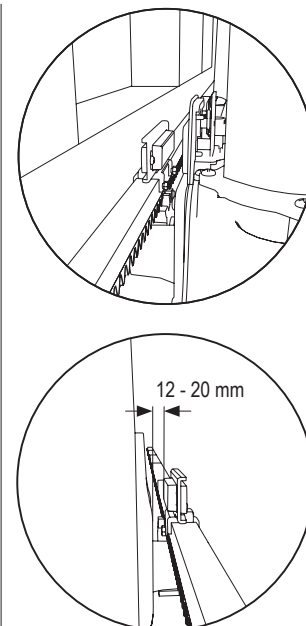


The operator is ready for the Learning phase.

Picture 12



Picture 13

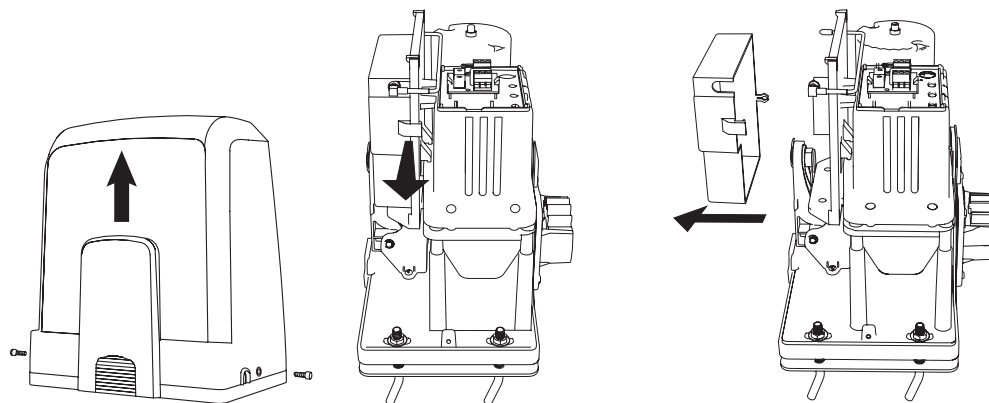


5.8 Access to the control Board and Motor connection

- The control board is already pre-installed and pre-wired to the motor terminal. No extra action is required.

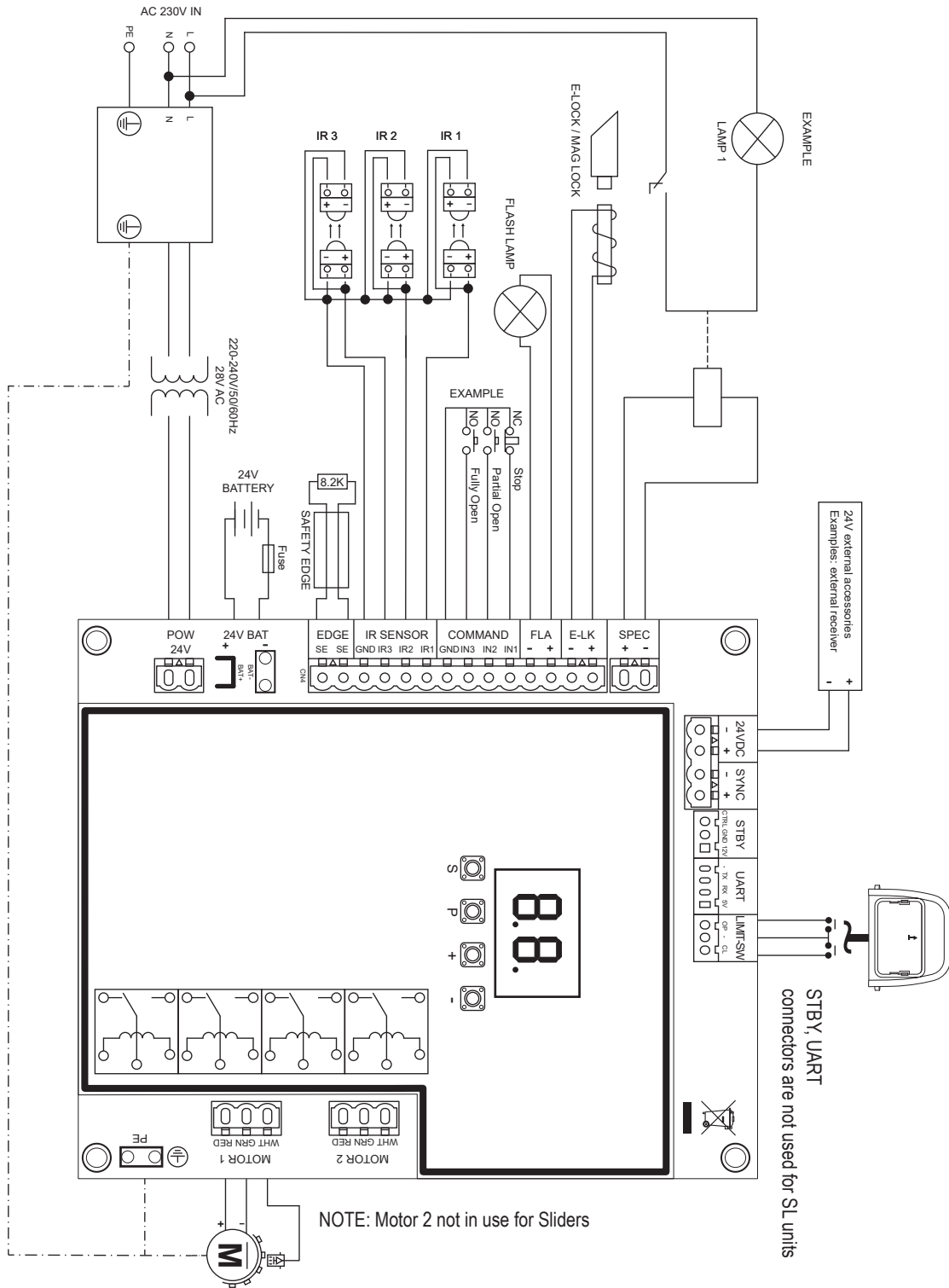
To gain access to the control board remove the operator cover. The terminals for wiring accessories are directly accessible. To get access to the programming buttons remove the transparent plastic cover and place it back once programming is finished.

Picture 14



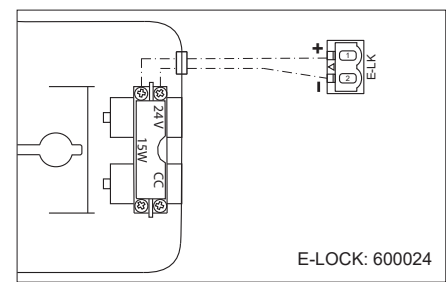
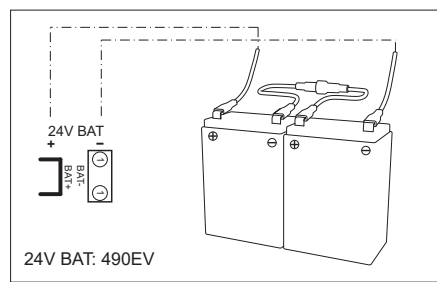
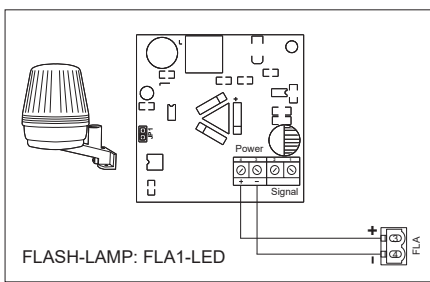
Congratulations! Herewith the mechanical installation of your gate operator is finished. Please proceed with Programming and Basic Settings to be able to start operation.

6. WIRING DIAGRAM



24V external accessories
Examples: external receiver

STBY, UART
connectors are not used for SL units



7. PROGRAMMING

7.1 Display, Programming Buttons and Function Setting

Programming buttons function (4 buttons):

Button	Function
S	program / delete remote controls and specific functions
P	enter programming mode, select function and save
+/-	Navigate through the menu and change the value on display

Function and programmed values are shown on LED display.

Function setting - programming mode

LED display shows following values after control board is powered:

--	Control board is pre-programmed to relevant application (see below under "Application" and "Stand-by Mode" for status description).
E0	"E0", in case the control board has not been programmed yet or reset by function "Factory Default". From this status, an Input or transmitter command will be always ignored.

7.2 General Programming Overview

Herewith you start programming of your gate operator.

The programming is divided in 2 sections:

1. Basic Settings (Page 11)
2. Advanced Settings (Page 14)

After Basic Settings are done, following parameters will be learned automatically during Learning phase:

1. Travel length from **FULL CLOSED** to **FULL OPEN** position.
2. Opening and closing force for each motor.

NOTE:

- Basic Settings and Learning phase must be completed to enable operation.
- After the Learning phase and Programming are finished the operator will work as per default settings.
- Advanced Settings cannot be accessed if Basic Settings and Learning phase are not completed.
- **Before making the programming ensure that the relevant safety devices are connected.**

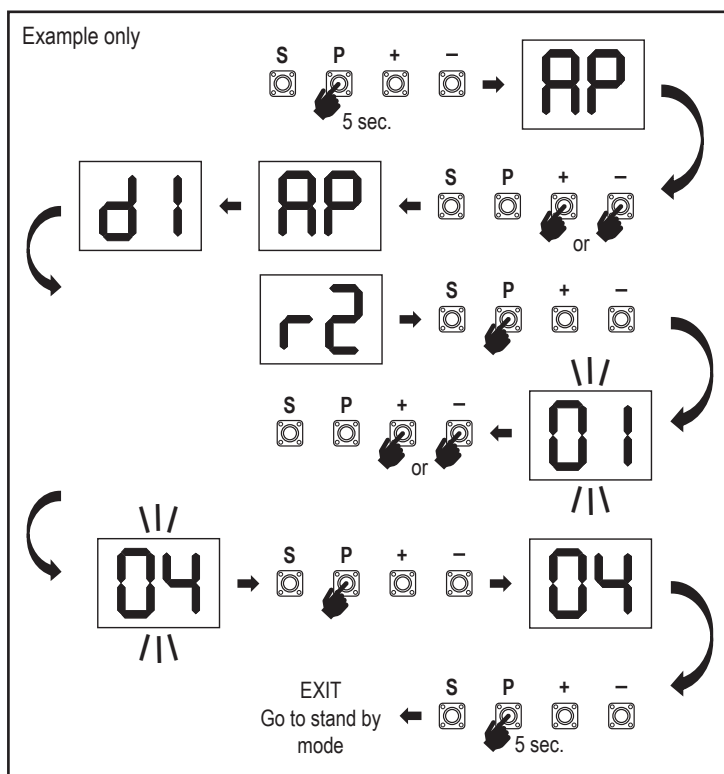
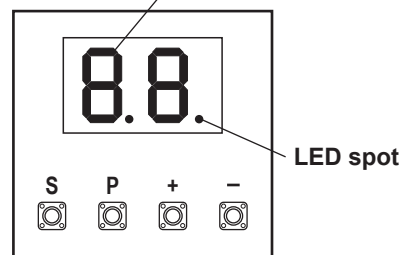
General setup:

1. Press and hold "P" button for 5 seconds to enter the menu. "AP" on the display indicates the first available function in menu.
2. Use "+" and "-" buttons to navigate between the functions.
3. Press "P" button to select the required function.
4. The default setting or previously programmed value will appear. This will be indicated by flashing of value on display.
5. Use "+" or "-" buttons to select the required value. Press "P" button to confirm selection.
6. The programmed function is shown on display.
7. To change the setting of another function, repeat the sequence from the points #2 to #6
8. To exit to the Function menu, press "P" button for 5 seconds, then the board will go in Stand-by mode.

If "P" button is not pressed to confirm new value setting, new settings will be saved after 3 minutes and programming will exit menu and return into Stand-by mode.

NOTE: To operate the gate or execute any command, setting menu must be finished by pressing the "P" button for 5 seconds, or by selecting FE Function, or waiting 3 minutes for automatic exit and return into Stand-by mode.

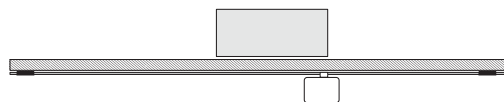
2 digit LED display



7. PROGRAMMING

7.3 Wing Movement Direction

Before programming, move the gate manually in the middle position and re-engage release mechanism (see page 6). Press and hold the “-” button on the control board and ensure that the motor is moving in **CLOSE** direction. If correct, immediately let go of the “-” button and gate stops.



If motor is moving in **OPEN** direction, go to the functions “d1” and change the direction settings.

Once **CLOSE** direction is set correctly, leave the gate in the middle position. The operator is ready for the Learning phase.

Note: gate can be moved with “+” and “-” buttons prior to final settings if required.

Press and hold the “+” button on the control board to move the gate into **OPEN** position. When button is released operator stops.

Press and hold the “-” button on the control board to move the gate into **CLOSE** position. When button is released operator stops.

7.4 Basic Settings

Basic Settings Overview

LED		Function
		Basic Settings (mandatory)
	AP	Application
	d1	Direction Motor 1
	LL	Limit Learning Phase

7.4.1 Application Settings

Application function shown on display.

This function is already pre-set at factory at correct value as defined for the delivered operator.



	Sliding gate, CHSL400
--	-----------------------

More settings available on demand:

	No application selected
--	-------------------------

Values 02-05 are not suitable for CHSL application and shall not be chosen

7.4.2 Direction Motor Settings

Direction Motor function shown on display

Defines movement direction of the Motor.



	Motor is installed on left hand side (default).
	Motor is installed on right hand side .

7.4.3 Limit Learning



Before Limit Learning Phase can be started the preparation for the learning of the end limit position must be done as described in the section Limit switch position Set up.

Assure that the Limit positions are checked and the door is in the the middle position to start the Limit Learning Learning Phase.

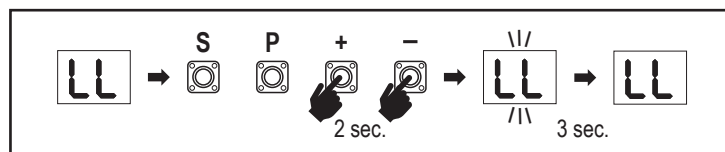
Before starting a Learning phase ensure that:

1. Other Basic Settings are completed
2. Magnets are installed and working correctly
3. First movement will be in **CLOSE** direction.

Available Learning methods:

Standard Learning Mode (Automatic)

1. OPEN the LL menu.
2. Press and hold “+ and -“ buttons for 2 seconds.
3. Automatic learning process starts. LL will flash on the display during complete-process.
4. Gate moves in **CLOSE** direction until the **CLOSE** limit switch is reached, and-stops for 2 seconds., then moves in the **OPEN** direction.
5. Gate moves in **OPEN** direction until the open limit switch is reached.
6. Gate moves in **CLOSE** direction until the close limit switch is reached, and-stops.
7. Standard Learning phase is finished. LL will appear on display and board will return in stand-by mode after 3 seconds.



Following settings are done during Standard Learning Mode:

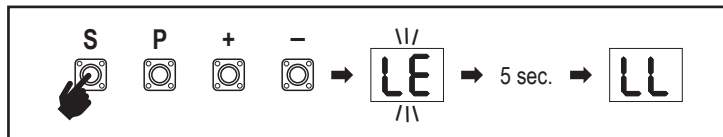
1. Travel length from **FULL CLOSED** to **FULL OPEN** position.
2. Opening and closing force.
3. 60 cm of travel travel in both directions is assigned for Soft Stop.

7. PROGRAMMING

NOTE: To stop Learning phase press "S" button. The Learning process will be interrupted, "LE" will flash on LED display. After 5 seconds "LL" will appear on display indicating readiness to start Learning phase again.

If Learning process was not completed, it needs to be re-done.

ATTENTION: Learning phase must be completed to enable operation.



7.5 Stand-by Mode

After the control board is powered on and programming is finished, the LED display lights completely for 2 seconds and goes into the stand-by mode. During Stand-by mode the LED display shows current gate status.

	One motor
Motor is opening, upper section of the display flashes.	
Motor stops at the opening position on the limit switch, upper section of the display is on.	
Motor is closing, lower section of the display flashes.	
Motor stops at the closed position on the limit switch, lower section of the display is on.	
Motor stops in the middle, middle of the display is on.	

Herewith the Basic Settings are completed. You can leave Programming and operate your gate or proceed with Advanced Settings.

7. PROGRAMMING

7.6 Programming and Erasing of Remote Controls, Radio Accessories and myQ Devices

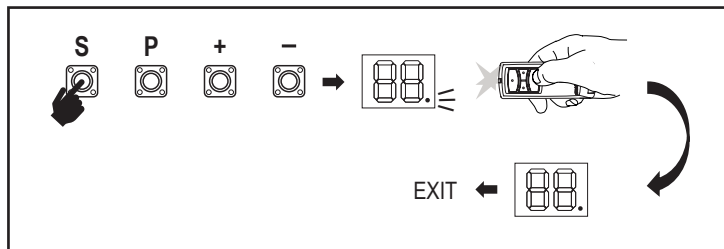
Program remote control devices (transmitters and wireless wall controls):

NOTE: the remote controls delivered with the operator are already factory pre-learned to the operator (top button near the LED) and do not require extra programming.

1. Press and release "S" button. An LED spot turns ON in the display. The operator will stay in Radio programming mode for 3 minutes. Any radio accessory device can be learned within first 30 seconds. During the remaining 2.5 minutes only myQ devices can be learned.
2. Chose the required button on your transmitter and hold it until the dot in the display turns off.

Press "S" button to exit the radio programming mode.

To program a wireless keypad, please follow the respective manual of the accessory.



Programming Transmitter in Partial opening

Press and hold "S" and "+" buttons at the same time, until the LED spot starts flashing. Press and hold the desired free button on transmitter to program the Partial Opening Mode.

The LED spot turns off when the programming is finished. If there is a light connected to SPEC contact it will flash once.

Program myQ gateway (830REV-01):

1. Connect

Connect ethernet cable (1) provided with gateway to router (2). Use the plug valid for your country (not all models). Connect power (3) to the internet gateway (4). When the internet gateway connects to the internet, the green light (5) will stop blinking and will light solid. A connected set of IRs is mandatory for myQ operation.

2. Create an account

Download the free myQ App from App Store or Google Play Store and create an account. If you already have an account, use your username and password.

3. Register the internet gateway

Enter the Serial Number located on the bottom of the internet gateway when prompted.

4. Add myQ devices

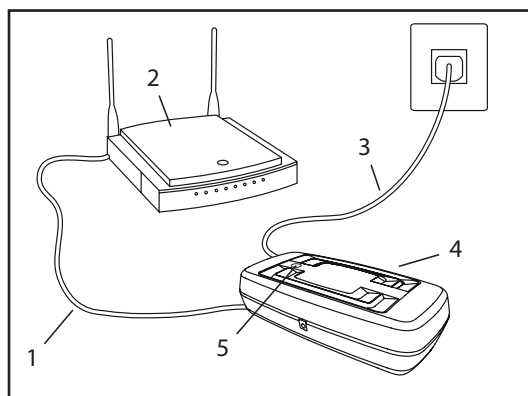
To add your gate operator to the registered gateway follow the instructions on the app. When adding a new myQ capable gate operator press and release "S" button on operator control board. An LED spot turns ON in the control board display.

Note: After you add a device, the blue light on the internet gateway will appear and stay on. Press "S" button on the operator control board to exit the radio programming mode.

5. Test

After having installed and registered correctly you may now test the following features: open or close the gate, request status GATE OPEN or GATE CLOSED.

For more functions see www.chamberlain.eu



Erase radio control devices (transmitters, wireless wall controls, wireless keypads):

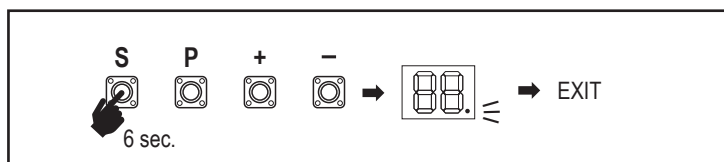
Press and hold "S" button for > 6 seconds. All radio control devices (transmitters, wall controls, keypads) are erased. The LED spot in the display turns OFF.

Note: It is not possible to erase radio control devices individually.

Erase myQ devices:

1. Erase remote control devices first as indicated above.
2. Within next 6 seconds press and hold "S" button. An LED spot turns ON in the display.
3. Press and hold "S" button for > 6 seconds. All myQ devices are erased. The LED spot in the display turns OFF.

NOTE: It is not possible to erase myQ devices individually. It is not possible to erase myQ devices only.



7. PROGRAMMING

7.7 Advanced Settings

Herewith you start with Advanced Settings.

7.7.1 Overview Advanced Settings

LED		Function
tr	tr	Transmitter
r1	r1	IR1 photocell
r2	r2	IR2 photocell
r3	r3	IR3 photocell
i1	i1	Input 1 command
i2	i2	Input 2 command
i3	i3	Input 3 command
Pd	Pd	Partial Opening
tC	tC	Timer To Close (TTC)
rt	rt	Reversal time after impact
EL	EL	E-lock

LED		Function
FL	FL	Flashing Light
PF	PF	Pre-Flashing
SP	SP	Special contact
St	St	START Speed in OPEN and CLOSE
Cn	Cn	Maintenance counter
Fd	Fd	Factory default
FE	FE	Finish and Exit

7.7.2 Transmitter Settings

Transmitter function defines how Transmitter commands are working. **Note:** Under settings "01", "02" and "03", TTC timer will be overridden by a transmitter command and will CLOSE the gate. Under setting "04", active TTC timer countdown will be re-set to start again by Transmitter command.

tr

01	Residential Mode: Open – Close – Open
02	Standard Mode: Open – Stop – Close – Stop – Open (Default)
03	Automatic with Stop Mode: Open – Stop – Close – Open
04	Car Park Mode: Open, to complete Open position. Additional command during the opening will be ignored

7.7.3 Infrared Photocells Settings

r1 r2 r3

IR functions define functioning mode of Infrared Photocells (IR). IRs will be auto-learned when installed. Each of the 3 IR sets can be programmed individually.

NOTE: Depending on the chosen settings the Partial Opening inputs or Remote Controls commands will not be executed in both OPEN or CLOSE direction if the IR beam is obstructed. If IRs are removed, the control board power must be turned OFF/ON for two times to unlearn.

For check and maintenance of the photocells see the manual of the photocells.

01	IR active on CLOSE movement. If IR beam is obstructed, gate reverses in complete OPEN position (Default).
02	IR active on OPEN movement. If IR beam is obstructed gate stops. When obstruction disappears the gate continues to OPEN.
03	IR is active on OPEN and CLOSE movement. If IR beam is obstructed on CLOSE movement, gate stops and after the obstruction disappears gate reverses in complete OPEN position. If IR beam is obstructed on OPEN movement, gate stops. When obstruction disappears the gate continues to OPEN.
04	IR active on CLOSE movement. If IR beam is obstructed, gate reverses in complete OPEN position. The activated TTC function will be overridden 2 seconds after the beam obstruction is eliminated and will start CLOSE movement not waiting till the end of TTC time end.

7.7.4 Input Settings

i1 i2 i3

Inputs function define the way Input commands from external accessories are executed. Each of the 3 Inputs can be programmed individually.

NOTE: Under settings "01", "02" and "03", TTC timer will be overridden by an Input command and will CLOSE the gate. Under setting "06", active TTC timer countdown will be re-set to start again by an Input command

7. PROGRAMMING

01	Open – Close – Open
02	Open – Stop – Close – Stop – Open (Default)
03	Open – Stop – Close – Open
04	Partial opening
05	STOP (NC contact)

7.7.5 Partial Opening

Pd

Partial opening only gives you the ability to open active leaf to a pre-set value only.

NOTE: Pd command will work starting from Close limit position and during closing movement. If a Pd command is executed from a complete OPEN position, the gate will close.

An Open or transmitter command will always override the Pd command.

01	1,5 m opening travel
02	2 m opening travel (default)
03	3 m opening travel

Programming Transmitter in Partial Opening

1. Press and hold „S“ and „+“ buttons on the control board at the same time, until the LED spot starts flashing.
2. Press and hold the desired free button on transmitter to program the Partial Opening Mode.
3. The LED spot turns off when the programming is finished. If there is a light connected to SPEC contact it will flash once.

7.7.6 Timer To Close

tc

Timer to close (TTC) function enables automatic closing of the gate from a complete OPEN position after a pre-set period of time. Minimum one pair of Chamberlain Infrared Photocells (IR) has to be installed to monitor closing movement to enable TTC operation. TTC will not work if IR are protecting opening movement only. TTC will also work with activated partial opening. If TTC function is active, timer is counting down, and the IR beams are interrupted, the TTC timer shall re-start.

00	TTC not active (Default)	05	1 minute
01	10 seconds	06	1.5 minutes
02	20 seconds	07	2 minutes
03	30 seconds	08	3 minutes
04	45 seconds	09	5 minutes

7.7.7 Reversal Time after Impact

rt

Reversal time after impact function defines reversal behaviour after obstacle obstruction during closing or opening movement. This reversal behaviour is valid both for motor force detection and safety edge application.

01	2 seconds reversal and Stop
02	Reversal back up to the end limit position (Default)
03	During Closing movement, upon impact gate reverses up to Open position. During Opening movement, upon impact gate reverses for 2 seconds and stops

7.7.8 E-Lock / Mag-Lock Settings

EL

E-Lock function defines e-lock/mag-lock behaviour. 24VDC – 500mA e-lock or mag-lock can be connected.

00	e-lock/mag-lock not installed (Default)
01	e-lock active for 1 second prior to Motor start in Open direction
02	e-lock active for 2 seconds prior to Motor start in Open direction
03	Magnetic lock, constantly active at gate CLOSED; constantly inactive during OPEN and CLOSE movement, gate OPEN or STOP position. Magnetic lock will be deactivated in Battery Back-up mode.

7.7.9 Flashing Light Settings

FL

Flashing Light function allows to select which type of Flashing Lamp is connected. 24VDC- max 500 mA Flashing lamp (FLA1-LED) can be connected.

00	no flashing lamp installed (Default)
01	continuous 24V supply - for flashing lamp with own control board (FLA1-LED)
02	interrupted 24V supply - for flashing lamp without own control board

7.7.9a Pre-Flashing

PF

Pre-Flashing Function defines time interval of pre-flashing of the flashing lamp prior to gate movement. Function not active if Flashing Lamp (FL) Function is set to "00".

00	no pre-flashing (Default)	03	3 seconds
01	1 second	04	4 seconds
02	2 seconds	05	5 seconds

7.7.10 Special Contact Settings

SP

Special Contact Function defines relay activation time. A 24V max 500mA relay can be connected to manage other devices, e.g. courtesy light. The time set here will also control countdown for myQ remote light.

00	no activation (Default)	05	1.5 minutes
01	15 seconds	06	2 minutes
02	30 seconds	07	3 minutes
03	45 seconds	08	4 minutes
04	1 minute	09	5 minutes

7. PROGRAMMING

7.7.11 Start Speed in Open and Close Directions St

Start Speed function allows switching the Soft-Start in OPEN and CLOSE directions ON and OFF.

00	deactivated (Default)
01	Soft Start active: motor will accelerate gradually until it reaches standard speed.

7.7.12 Maintenance Counter Cn

Maintenance Counter function allows to set maintenance interval in cycles. 4 seconds pre-flashing of the Flashing Lamp will be a signal the interval is reached. If PF Function (Pre-Flashing) is active then 4 second pre-flashing will be added to the set time. To reset counter after maintenance is done, it will be enough to program the cycles one more time.

00	no counter (Default)	02	2000 cycles
01	1000 cycles cycles
		20	20000 cycles

7.8 Factory Default Fd

Factory default function resets control board to the original factory set-ups. All settings, including limit settings, will be erased. LED display will show "E0". Programmed remote controls will remain learned. If Remote control accessories need to be erased refer to the respective Radio Controls Programming section of this manual.

00	no reset (Default)
01	reset to the factory default settings

7.9 Finish and Exit FE

To exit the programming phase and save all changes, move to FE function and press "P" button. The control board will go into Stand-by mode and is ready to work.

There are also other ways to exit the programming and save settings:

- Press and hold "P" button for 5 seconds
- Wait 3 minutes after the last changes in the programming for automatic exit

8. BATTERY BACKUP

Battery Back-Up Mode (BBU) bU

Optional 12V, 2.2Ah lead batteries SKU 490EV (optional, not included) can be mounted inside operator housing.

Follow the manual of SKU Nr 490EV for exact installation procedure.

A Flashing lamp (if mounted) will flash 2 seconds every 10 minutes indicating BBU mode and power loss. Control board will switch into stand-by mode with active radio receiver accepting radio control device commands only. All other accessories and peripheral devices will not be functioning. When in Battery Back-up mode, myQ Smartphone Control and wireless myQ devices will be disabled. Full charged battery capacity shall support up to ~20 cycles at a rate of 2 per hour. After 24 hours of BBU mode the battery shall provide power for 1 complete opening and closing cycle.

Please note that only the specified battery can be use. Use of any other battery leads to loss of warranty and loss of liability of Chamberlain for any related damages resulting from use of unspecified batteries.

9. ERROR CODES

LED	Error code	Issue	Possible reason	Solution
E0	E0	Press transmitter, but no gate movement	AP is set to 00	Check if AP is set to 00. If yes, change to correct application setting.
E1	E1	Gate do not close, but can open.	1) IR1 is not connected, or wire is cut. 2) IR1 wire is shorted out or reverse connected. 3) IR1 is not aligned or blocked for a moment.	1) Check if IR1 is not connected, or wire is cut. 2) Check IR1 connection, change wires if needed. 3) Align IR transmitter and receiver to make sure both LED is on, instead of blinking. Make sure there is nothing hanging on gate that may cause IR blocking.
E2	E2	Gate can close when it is at open limit, but cannot open when it's at close limit.	1) IR2 is not connected, or wire is cut. 2) IR2 wire is shorted out or reverse connected. 3) IR2 is not aligned or blocked for a moment.	1) Check if IR2 is not connected, or wire is cut. 2) Check IR2 connection, change wires if needed. 3) Align IR transmitter and receiver to make sure both LED is on, instead of blinking. Make sure there is nothing blocking the IR.
E3	E3	Press transmitter, but no gate movement.	1) IR3 is not connected, or wire is cut. 2) IR3 wire is shorted out or reverse connected. 3) IR3 is not aligned or blocked for a moment.	1) Check if IR3 is not connected, or wire is cut. 2) Check IR3 connection, change wires if needed. 3) Align IR transmitter and receiver to make sure both LED is on, instead of blinking. Make sure there is nothing hanging on gate that may cause IR blocking in short time.
E4	E4	Press transmitter, but no gate movement.	1) Safety edge is not connected with 8.2kohm resistor. 2) Safety edge wire is shorted out. 3) Safety edge is pressed.	1) Check if the 8.2 kOhm safety edge is properly connected or if the 8.2 kOhm resistor is installed. 2) Check safety edge wires and replace wire if needed. 3) Check if safety edge is pressed.
E5	E5	Press transmitter, but no gate movement.	1) STOP switch is open. 2) STOP switch is not connected.	1) Check if STOP switch is open or damaged. 2) Check if STOP switch is disconnected. If yes, then reconnect STOP switch or change the respective Input setting to other value.
E6	E6	Error Magnet	1) Mag switch is not connected or wrong connection. 2) Mag block drops from switch or fuse is broken.	1) Check if mag switch is connected correctly. If not, fix the connection. 2) Check if Mag block drops from switch or fuse is broken.
E7	E7	Press transmitter, but no gate movement.	Control board amplifier for Motor 1 fail.	Switch off power for 20 seconds and reset to check if control board recovers. If not, change control board.
E9	E9	Press transmitter, but no gate movement.	Control board memory mistake.	Switch off power for 20 seconds and reset to check if control board recovers. If not, change control board.
F1	F1	Motor stop and reverse during open or close.	Motor is blocked.	Check and remove obstruction. Clean gate.
F3	F3	Motor stop and reverse during open or close.	Motor stall or speed sensor is damaged.	Check if motor 1 stalled or speed sensor is damaged.
F5	F5	Press transmitter, but motor has no action.	Radio module fail.	Switch off power for 20 seconds and reset to check if control board recovers. If not, change control board.
F6	F6	Gate reverse during closing.	Low battery power.	Charge battery.
F7	F7	Press transmitter, but no gate movement.	Control board damaged.	Switch off power for 20 seconds and reset to check if control board recovers. If not, change control board.
F9	F9	Press transmitter or push button, but motor has no action.	AP menu is reset to factory default.	Relearn limits.
LE	LE	Motor stops suddenly.	Press C button during limit learning.	Relearn limits.

10. TECHNICAL DATA

		CHSL400EVC
Input Voltage	VAC	220-240
Input frequency	Hz	50/60
Motor Voltage	VDC	24V
Standby consumption (without accessories)	W	4.45
Rated Power	W	110
Rated Load	Nm	3.6
Cycles per hour		5
Max. cycles per day		20
Max. gate weight	kg	400
Max. gate width	m	4
Max. opening speed	mm/s	160
Maximum Torque	Nm	12
End Limit System		Magnetic switch
Operating Radio Frequency	MHz	RX 433MHz (433.30MHz, 433.92MHz, 434.54MHz) RX 868MHz (868.30MHz, 868.95MHz, 869.85MHz) TX 865.125MHz, 865.829MHz, 866.587MHz
Sending Power		< 10 mW
Code		Security+ 2.0
Max. nr of remotes		180
Max. nr. of keypads		4
Max. nr. of myQ devices		16
External accessory power		24VDC - max. 500mA
Flashing lamp connector		24VDC - max. 500mA
E-Lock /Magnetic lock connector		24VDC - max. 500mA
External relay		24VDC - max. 500mA
Safety edge		8,2 kOhm
Max. nr. of IRs		3
Max. nr. of external inputs		3
Battery back-up unit		2 x 12V, 2.2Ah batteries model 490EV
Ingress Protection Motor	IP	44
Noise Level	dB	< 70 db(A)
Working temperature	°C	-20°C to +55°C
Weight (kit)	Kg	12
Transmitter Frequency	TX4REV-F	868MHz (868.30MHz, 868.95MHz, 869.85MHz)
Sending power		<10mW
Battery		CR2032 3V

11. MAINTENANCE

Replace Batteries in The Remote Control

Battery of the remote control:

The batteries in the remote have an extremely long life. If the transmission range decreases, the batteries must be replaced. Batteries are not covered by the guarantee.

Please observe the following instructions for battery:

Batteries should not be treated as household waste. All consumers are required by law to dispose of batteries properly at the designated collection points. Never recharge batteries that are not meant to be recharged.

Danger of explosion!

Keep batteries away from children, do not short-circuit them or take them apart. See a doctor immediately, if a battery is swallowed. If necessary, clean contacts on battery and devices before loading. Remove flat batteries from the device immediately!

Increased risk of leakage!

Never expose batteries to excessive heat such as sunshine, fire or similar!

There is increased risk of leakage!

Avoid contact with skin, eyes and mouth. Rinse the parts affected by battery acid with plenty of cold water and consult a doctor immediately. Use only batteries of the same type. Remove the batteries if the device is not being used for a long time.

Replacing battery:

To replace battery, turn remote control around and open the case with a screwdriver. Lift cover and lift control board below. Slide battery to one side and remove. Watch polarity of battery! Assemble again from in reverse direction.

ATTENTION!

Danger of explosion if battery is replaced improperly. Replacement only by identical or equivalent type (CR2032) 3V.

CAUTION

Risk of explosion if the battery is replaced by an incorrect type.

Do not ingest battery, Chemical Burn Hazard.

This product contains a coin battery. If swallowed, button batteries can cause injuries, or death.

WARNING

- Keep batteries out of sight and out of the reach of children, button/coin batteries can be dangerous for children.
- Dispose of used button batteries immediately. Do not use defect/swallowed batteries.
- Check periodically if the battery compartments is secure, stop using if defect.
- If batteries might have been swallowed or placed inside any part of the body, seek immediate medical attention.



The drive mechanism

The drive mechanism is maintenance free. Check the gate fittings and the drive mechanism at regular intervals (monthly) are securely fixed. Release the drive and check that the gate functions properly. Unless the gate runs smoothly it will not operate correctly with the drive mechanism. The drive cannot eliminate the problems caused by a gate that does not work correctly.


Limit switch adjustment and force regulation


These settings must be checked and undertaken properly during the installation of the opener! Due to weathering, minor changes can occur during operation of the opener that need to be addressed by a new setting. This can particularly happen in the first year of operation. Follow the instructions for setting travel limits and force (refer to section Limit Learning Phase, pages 11 and 12) carefully and re-check the automatic safety reverse after each resetting!

Disassembly

IMPORTANT Notice! Follow the safety notices. See "Safety instructions" (pages 2 and 3). The sequence described in the "installation" section, but in opposite order. Ignore the setup instructions.

12. DISPOSAL

 Our electrical and electronic equipment may not be disposed of with household waste and must be disposed of after use properly in accordance with WEEE Directive EU: 2012/19/EU; GB UK(NI): SI 2012 nr. 19 on waste electrical and electronic equipment in order to ensure that materials are recycled. Collecting waste electrical equipment separately means environmentally-friendly disposal and is completely free of charge for the consumer. WEEE reg. no. in Germany: DE66256568. Any waste packaging left over with the end consumer must be collected separately from mixed waste, in accordance with the Directive. Packaging may not be disposed of with household waste, organic waste or in nature. Packaging material must be separated according to its material and disposed of in the recycling containers provided and in certain council recycling bins.

 Our batteries are marketed in compliance with the law. The 'crossed-out waste bin' indicates that batteries may not be disposed of with household waste. Batteries included in the product (technical data). In order to avoid causing harm to the environment or people's health, used batteries must be returned for regulated disposal at council recycling centres or via retail outlets, as is prescribed by law. Batteries may only be brought for disposal once fully discharged and, in the case of lithium batteries, with their terminals taped over. The batteries can be easily removed from our equipment for disposal. Registration number in Germany: 21002670.

13. WARRANTY

Your statutory rights are not affected by this manufacturer's warranty. Please see www.chamberlain.eu for terms of warranty.

14. DECLARATION OF CONFORMITY

The manual consists of these operating instructions and the declaration of conformity.

The radio equipment type (TX4REV-F) is in compliance with Directive 2014/53/EU and for UK with Radio Equipment Regulation SI 2017 No. 1209.

The full text of the EU declaration of conformity is available at the following internet address: <https://doc.chamberlain.de>

TABLE DES MATIÈRES

REMARQUE : Les instructions d'installation et de fonctionnement ont été rédigées à l'origine en anglais. Toute autre langue disponible est une traduction de la version originale en anglais.

1. INSTRUCTIONS DE SÉCURITÉ ET UTILISATION PRÉVUE.....	2
2. ÉLÉMENTS LIVRÉS.....	4
3. OUTILS NÉCESSAIRES.....	4
4. VUE D'ENSEMBLE DE L'AUTOMATISME DE PORTAIL.....	4
5. INSTALLATION MÉCANIQUE.....	5
5.1 Dimensions du portail et de l'automatisme.....	5
5.2 Installation de la plaque de base.....	5
5.3 Mécanisme de déverrouillage d'urgence.....	5
5.4 Installation du moteur sur la plaque de base.....	6
5.5 Montage de la crémaillère du portail.....	6
5.6 Raccordement électrique.....	6
5.7 Réglage de position interrupteur de fin de course.....	6
5.8 Accès au panneau de commande et connexion du moteur.....	7
6. SCHÉMA ÉLECTRIQUE.....	8
7. PROGRAMMATION.....	9
7.1 Écran, boutons de programmation et réglage des fonctions.....	9
7.2 Vue d'ensemble programmation générale.....	9
7.3 Sens de mouvement des vantaux.....	10
7.4 Réglages de base.....	10
7.4.1 Réglages d'application.....	10
7.4.2 Réglages du moteur de direction.....	10
7.4.3 Apprentissage des limites.....	10
7.5 Mode veille.....	11
7.6 Programmation et suppression des télécommandes, accessoires radio et appareils myQ.....	12
7.7 Réglages avancés.....	13
7.7.1 Vue d'ensemble réglages avancés.....	13
7.7.2 Réglages de l'émetteur.....	13
7.7.3 Réglages des cellules photoélectriques à infrarouge.....	13
7.7.4 Réglages d'entrée.....	13
7.7.5 Ouverture partielle.....	14
7.7.6 Minuterie de fermeture.....	14
7.7.7 Temps d'inversion après impact.....	14
7.7.8 Réglages verrou électronique/verrou magnétique.....	14
7.7.9 Réglages lumière clignotante.....	14
7.7.9a Pré-clignotement.....	14
7.7.10 Réglages contacteur spécial.....	14
7.7.11 Vitesse de démarrage dans les sens ouverture et fermeture.....	15
7.7.12 Compteur de maintenance.....	15
7.8 Réglages d'usine.....	15
7.9 Terminer et quitter.....	15
8. BATTERIE DE SECOURS.....	15
9. CODES D'ERREUR.....	16
10. DONNÉES TECHNIQUES.....	17
11. MAINTENANCE.....	18
12. ÉLIMINATION.....	18
13. GARANTIE.....	18
14. DÉCLARATION DE CONFORMITÉ.....	18

1. INSTRUCTIONS DE SÉCURITÉ ET UTILISATION PRÉVUE

À propos de ce manuel - Manuel original

Ces instructions sont les instructions de fonctionnement originales, conformément à la directive Machines 2006/42/CE. Le manuel d'instruction doit être lu attentivement pour comprendre les informations importantes relatives au produit. Prêtez attention aux consignes de sécurité et d'avertissement. Conservez le manuel dans un endroit sûr pour vous y référer à l'avenir et le mettre à disposition à toutes les personnes responsables de l'inspection, du service, de la maintenance et de la réparation. Une fois l'installation terminée, toute la documentation doit être remise à la personne responsable/au propriétaire.

Qualification d'un installateur compétent

Uniquement installation et maintenance correctes par un installateur compétent (spécialiste)/une entreprise compétente qui, dans le respect des instructions, doit connaître et garantir le fonctionnement sûr et conforme de l'installation. Le spécialiste est celui qui, sur la base de sa formation technique et de son expérience, dispose de connaissances suffisantes dans le domaine des portails motorisés et qui, en outre, est familiarisé avec les réglementations nationales en matière de sécurité au travail et les règles techniques généralement acceptées, de sorte qu'il est en mesure d'évaluer la sécurité de leur fonctionnement conformément à EN 13241, 12604, 12453 (EN12635)

L'installateur doit comprendre ce qui suit :

Avant d'installer l'entraînement, vérifier que la pièce entraînée est en bon état mécanique, qu'elle s'ouvre et se ferme correctement et qu'elle est correctement équilibrée si nécessaire.




Avant toute première utilisation, et au moins une fois par an, un spécialiste doit inspecter le portail motorisé pour vérifier son état de sécurité. Après l'installation, l'installateur doit s'assurer que le mécanisme est ajusté convenablement et que le système de protection et les dispositifs de déverrouillage manuel fonctionnent correctement (EN 13241, EN12604, EN 12453, EN 12635). Une maintenance et une inspection régulières doivent être réalisées conformément aux normes. L'installateur doit former les autres utilisateurs quant au fonctionnement en toute sécurité du système d'entraînement.

Une fois le système d'entraînement installé correctement, l'installateur responsable doit, en conformité avec, la directive Machines 2006/42/CE ; la déclaration de conformité CE pour le système de portail. L'étiquette de marque CE doit être apposée sur le système de portail. C'est aussi obligatoire dans le cadre d'un post-équipement d'un portail à fonctionnement manuel. De plus, un dossier de remise de l'appareil et un registre d'inspection doivent être remplis.

Veillez lire le mode d'emploi, en particulier les indications de sécurité. Les symboles suivants sont ajoutés au mode d'emploi pour éviter toute blessure corporelle ou tout dommage matériel. Veillez lire ces instructions attentivement.

Symboles d'avertissement

Le symbole général d'avertissement indique un danger pouvant entraîner des blessures, voire la mort. Dans la section texte, les symboles généraux d'avertissement sont utilisés comme décrit ci-dessous.

Symbole DANGER	Symbole AVERTISSEMENT	Symbole PRUDENCE	Symbole ATTENTION
 DANGER	 AVERTISSEMENT	 PRUDENCE	ATTENTION
Indique un danger entraînant directement la mort ou des blessures graves.	Indique un danger pouvant entraîner la mort ou des blessures graves.	Indique un danger pouvant entraîner des dommages ou la destruction du produit.	Indique un danger pouvant entraîner des dommages ou la destruction du produit.

Utilisation prévue

L'automatisme de portillon coulissant est uniquement conçu et testé pour le bon fonctionnement de portillons coulissant dans le domaine résidentiel et non commercial.

Les spécifications pour les portails sont définies dans les exigences mécaniques conformément aux normes EN12604.

La taille de portail maximale autorisée et le poids maximal ne doivent pas être dépassés. Le portail doit s'ouvrir et se fermer sans encombres à la main. Utilisez l'automatisme sur des portails conformes aux normes et directives en vigueur. Les conditions régionales de pression du vent doivent être prises en considération lors de l'utilisation de panneaux de portes ou de portails EN13241. Veuillez respecter les spécifications du fabricant quant à la combinaison porte et dispositif. Les risques possibles au sens de EN13241 doivent être évités en concevant et en installant la porte/le portail de façon conforme aux instructions correspondantes. Le mécanisme de la porte doit être installé et actionné dans le respect des règles de sécurité appropriées.

Utilisation incorrecte

Il n'est pas prévu pour un fonctionnement en continu ni pour une utilisation commerciale.

La construction du système d'entraînement n'est pas conçue pour faire fonctionner des portes en dehors des spécifications du fabricant.

Il n'est pas autorisé sur les portails qui se déplacent en pente.

Toute utilisation non conforme du système d'entraînement peut augmenter le risque d'accidents. Le fabricant n'assume aucune responsabilité pour de telles utilisations. Avec cet entraînement, les portes automatiques doivent respecter les normes, directives et règlements nationaux/locaux et internationaux actuellement en vigueur (EN 13241, EN12604, EN 1245 3).

Seuls des accessoires Chamberlain et approuvés peuvent être connectés à l'entraînement. Toute installation incorrecte et/ou tout non-respect du mode d'emploi ci-après peuvent entraîner des blessures corporelles graves ou des dommages matériels importants.

Les systèmes de portail situés dans des zones publiques à la force limitée doivent être actionnés sous une totale surveillance.

Des équipements de sécurité supplémentaires doivent être installés en conformité avec EN 12453.

1. INSTRUCTIONS DE SÉCURITÉ ET UTILISATION PRÉVUE

Durant le fonctionnement, le portail ne doit en aucun cas bloquer des voies et des routes publiques (zone publique).

Lors de l'utilisation d'outils et de petites pièces pour installer un portail ou le réparer, soyez prudent et ne portez pas de bague, de montre ni de vêtements larges.

Pour éviter toute blessure corporelle grave liée à un risque de coincement, retirez tout dispositif de verrouillage installé sur le portail ; vous éviterez ainsi également de l'endommager.

L'installation et le câblage doivent être conformes aux normes locales de construction et d'installation électrique. Les câbles électriques ne doivent être reliés qu'à une source correctement mise à la terre.

Déconnectez le système avant de l'installer, d'effectuer sa maintenance, de le réparer ou d'en retirer le boîtier. Un dispositif de déconnexion doit être fourni à l'alimentation principale (installation à câblage fixe) pour garantir la déconnexion de tous les pôles (sectionneur ou fusible séparé). Les réparations et les installations électriques doivent uniquement être réalisées par un électricien autorisé. Un bouton d'arrêt d'urgence doit être installé pour les cas d'urgence en fonction de l'évaluation des risques.

Assurez-vous qu'il n'y a pas de risque de coincement entre la pièce entraînée et les pièces fixes à côté lorsque la pièce entraînée se déplace, en respectant les distances de sécurité indiquées en conformité avec les normes EN 13241, EN12604, EN 12453, EN 12635 et/ou avec les dispositifs de sécurité (par ex. butée de sécurité).

Il est recommandé de tester la fonction de sécurité du système d'entraînement au moins une fois par mois. Référez-vous également aux instructions du fabricant des composants du système de portail.

Une fois l'installation terminée, réalisez un dernier test du fonctionnement complet du système et des dispositifs de sécurité ; en outre, tous les utilisateurs doivent être formés au fonctionnement et à l'actionnement de l'automatisme de portes coulissantes.

Les systèmes de portail doivent respecter la limitation des forces conformément à EN 12453, EN 60335-2-103.

Un dispositif supplémentaire de sécurité (butée de sécurité) doit être prévu en cas de changements au système, conformément à la norme.

Il est important de s'assurer que la porte se déplace toujours sans encombre. Les portes qui coincent ou se bloquent doivent être immédiatement réparées. Faites appel à un technicien qualifié pour réparer le portail, ne cherchez jamais à le réparer vous-même. L'appareil n'est pas conçu pour être utilisé par des personnes (y compris des enfants) aux capacités physiques, sensorielles ou mentales limitées, ou manquant d'expérience ou de connaissance, sauf si elles sont supervisées par une personne responsable de leur sécurité ou ont été informées de la façon de l'utiliser. Si nécessaire, un équipement de contrôle DOIT être installé dans un endroit visible à proximité du portail, hors de la portée des enfants. Les enfants doivent être surveillés pour s'assurer qu'ils ne jouent pas avec l'appareil. Ne laissez pas les enfants toucher au ou aux boutons ni à la ou aux télécommandes. Une mauvaise utilisation du système d'automatisme de portail peut entraîner des blessures graves.

Les panneaux d'avertissement doivent être installés à des endroits clairement visibles.

Le système d'ouverture de la porte ne doit être utilisé QUE si l'utilisateur peut voir toute la zone du portail et qu'il est sûr qu'il n'y a pas d'obstacle et que l'automatisme de la porte est réglé correctement. Personne ne doit passer dans la zone du portail pendant qu'il est en mouvement. Les enfants ne doivent pas être autorisés à jouer à proximité du portail.

La protection totale contre tout risque d'écrasement ou de coincement doit fonctionner immédiatement dès que les bras d'entraînement sont installés.

Il peut y avoir des risques sur l'installation mécanique ou électrique ou les points de fermeture de la porte par écrasement, ou des points d'impact :

- défaillance structurelle, vantail, charnières, fixations, butées de fin de course, pression du vent
- écrasement, zone des charnières, sous la porte, distance de sécurité par rapport à l'objet fixe
- défaillance électrique (contrôle - défauts dans les systèmes de sécurité)
- impact, surface balayée, maintien de la pression, limitation de pression, détection de présence

Des mesures appropriées doivent être prises pour assurer le bon fonctionnement du système de porte dans le respect des normes.

Ne démarrez jamais un entraînement endommagé.

Utilisez le déverrouillage manuel uniquement pour libérer l'entraîner et, si possible, SEULEMENT lorsque la porte est fermée. L'opération du déverrouillage manuel d'urgence peut entraîner des mouvements incontrôlés de la part de la porte. La fonction Timer to Close (TTC - minuterie de fermeture) et l'application de contrôle myQ sur smartphone sont des exemples d'opération de la porte sans surveillance.

Tout appareil ou toute fonction permettant à la porte de se fermer alors que cette dernière est hors de la vue de l'utilisateur est considéré comme ouverture/fermeture sans surveillance.

La fonction Timer to Close (TTC - minuterie de fermeture), le contrôle myQ sur smartphone et tout autre appareil myQ ne peuvent être activés QUE si les cellules photoélectriques Chamberlain sont installées (TTC ne fonctionne que dans le sens de la fermeture). La porte ne doit être actionnée que lorsque l'utilisateur l'a bien en vue.

INFORMATION IMPORTANTE !

- Cette procédure est également nécessaire sur les installations privées (nouvelles ou porte à fonctionnement manuel équipée ultérieurement).
Ce manuel d'installation et d'utilisation doit être conservé par l'utilisateur.
- Le fabricant n'accepte aucune responsabilité ni réclamation au titre de la garantie pour toute utilisation autre que celle prévue, ou après l'expiration de la garantie.
- Le recours juridique est la seule responsabilité acceptée pour tous les droits associés.

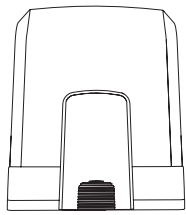
REMARQUE : Respectez le manuel d'installation et d'utilisation.

- Surveillez toujours le fonctionnement du système et remédiez immédiatement au problème en cas de mauvais fonctionnement.
- Réalisez une inspection annuelle du système. Appelez un spécialiste.
- Les distances de sécurité doivent être respectées entre le vantail et l'environnement, conformément aux normes appropriées.
- L'automatisme doit être installé uniquement sur des vantaux de portail stables et rigides. Les vantaux du portail ne doivent pas se plier ni se tordre lorsqu'ils s'ouvrent ou se ferment.
- Assurez-vous que les charnières du vantail du portail sont installées correctement et qu'elles fonctionnent bien, sans créer d'obstacle.
- Il est strictement interdit d'installer deux automatismes sur le même vantail de portail.
- Respectez les exigences des réglementations locales et nationales en ce qui concerne les mesures de protection de la santé lors du contact entre les personnes, notamment les employés, les fournisseurs et les clients (par ex. distance de sécurité, port du masque, etc.).
- Des informations précises peuvent être obtenues auprès des autorités locales.

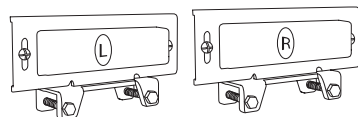
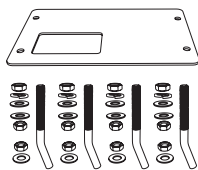


2. ÉLÉMENTS LIVRÉS

CHSL400EVC



Unité moteur avec
panneau de commande



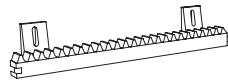
Télécommandes
(2x)



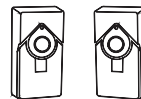
Clés de
déverrouillage (2x)



Manuel
d'installation

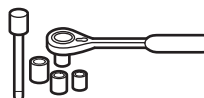
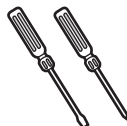
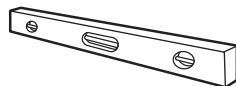
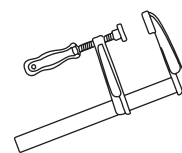
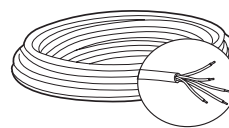
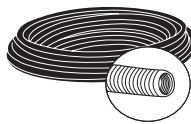
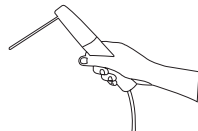
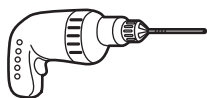
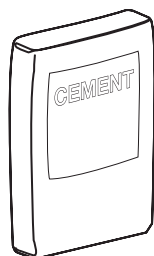


Crémaillère (12x33 cm)



Cellules
photoélectrique

3. OUTILS NÉCESSAIRES

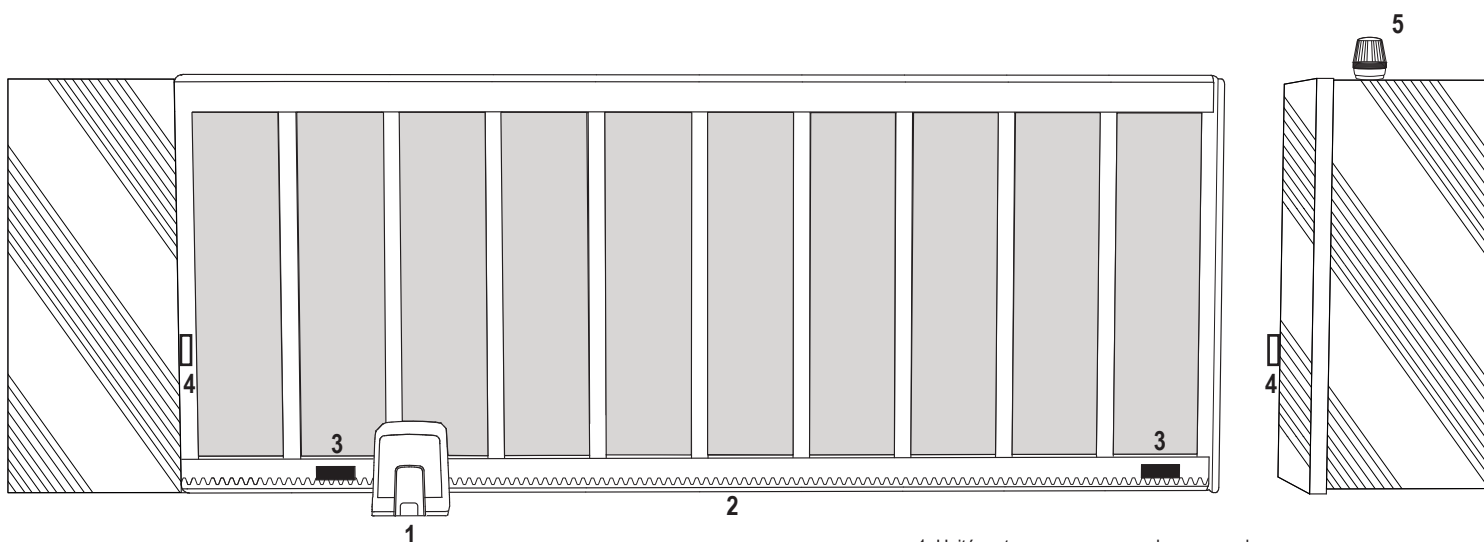


8, 13 mm



8, 13 mm

4. VUE D'ENSEMBLE DE L'AUTOMATISME DE PORTAIL



1. Unité moteur avec panneau de commande
2. Crémaillère
3. Boucles magnétiques
4. Cellules photoélectriques à infrarouge
5. Lampe clignotante

5. INSTALLATION MÉCANIQUE

Vous voici arrivé à l'installation mécanique de l'automatisme de portail.

5.1 Dimensions du portail et de l'automatisme

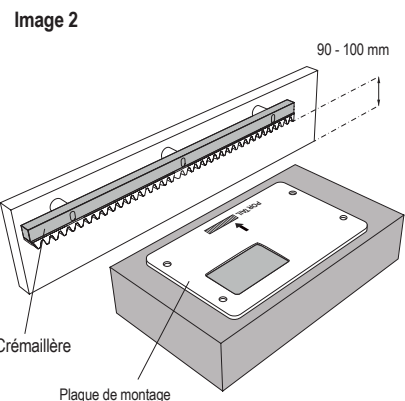
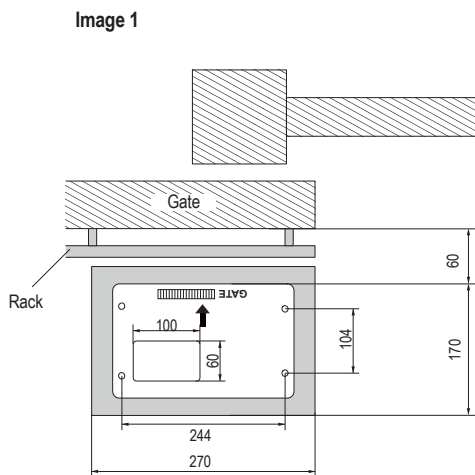
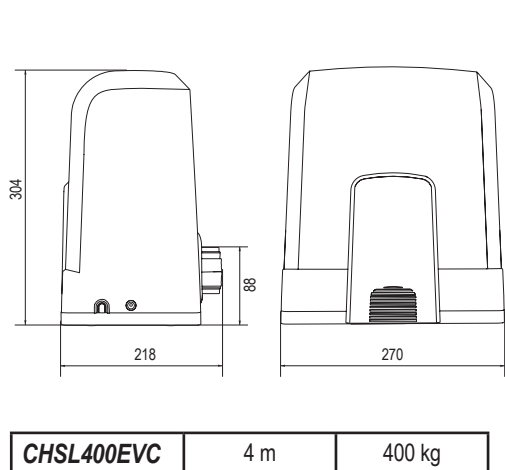
CHSL400EVC

Informations générales et conditions pour mise en place.

Avant d'installer l'automatisme de portail, assurez-vous que le portail se déplace sans encombre. Le poids du portail ne doit pas être placé complètement sur l'arbre du moteur. Assurez-vous que tous les câbles nécessaires (câble d'alimentation, câbles accessoires, etc.) sont préparés et placés correctement avant d'installer la plaque de base dans le béton.

REMARQUE

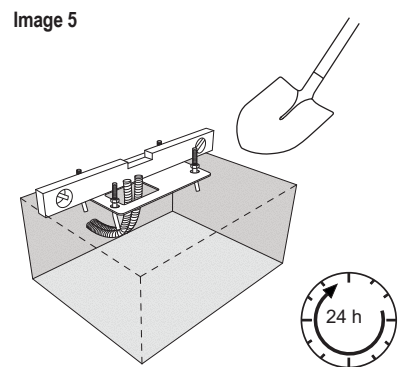
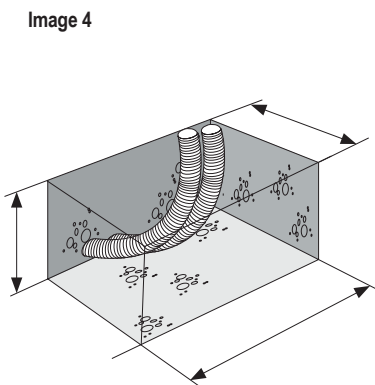
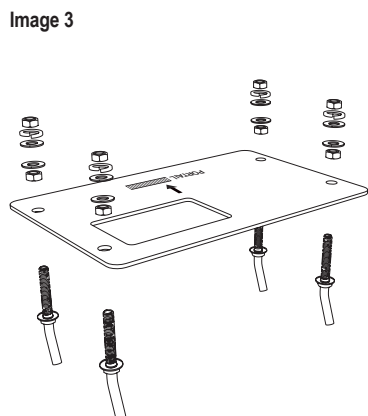
tous les points d'écrasement doivent être sécurisés par une protection anticoincement conformément à UE : EN 12453, EN 60335-2-103.



5.2 Installation de la plaque de base

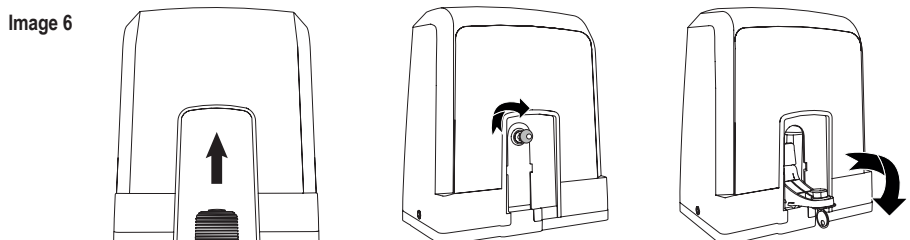
1. Prenez la vis d'ancrage et vissez un écrou jusqu'au bas du filetage. Ajoutez une rondelle et insérez-la dans la plaque de base depuis le bas. Fixez par dessus à l'aide d'un deuxième écrou.
2. Recommencez pour les 3 autres vis d'ancrage (voir l'image 3).
3. Passez les câbles préparés (voir l'image 4) à travers le trou de la plaque de base.
4. Placez la plaque de base dans les fondations en béton préparées. Assurez-vous que la plaque est positionnée correctement par rapport au portail en respectant l'espace nécessaire par rapport au portail et au rail (voir l'image 1). La flèche sur la plaque de base doit être dirigée vers le portail. Alignez la plaque de base et terminez les fondations en béton.
5. Laissez les fondations sécher pendant au moins 24 h avant de continuer (voir l'image 5).

REMARQUE : lors de l'installation d'une plaque de base, assurez-vous qu'il sera toujours possible d'installer l'automatisme et d'ajuster la position ultérieurement à l'aide des vis de réglage si nécessaire.



5.3 Mécanisme de déverrouillage d'urgence

- Retirez le petit couvercle avant en plastique de l'automatisme.
 - Placez la clé dans la serrure et tournez-la vers la droite à 90°.
 - Abaissez le levier.
- Pour réarmer l'automatisme, suivez les étapes dans l'ordre inverse.



5. INSTALLATION MÉCANIQUE

5.4 Installation du moteur sur la plaque de base

1. Une fois que la plaque de base est fixée, soulevez l'écrou qui la fixe d'environ 5 à 10 mm et ajoutez une rondelle.
2. Retirez le petit couvercle avant en plastique de l'automatisme et déverrouillez manuellement en plaçant la clé dans la serrure, en la tournant vers la droite puis en tirant le levier vers le bas (voir déverrouillage manuel page 5).
3. Retirez les 2 vis sur les côtés du couvercle (voir l'image 7).
4. Retirez le couvercle de l'automatisme et placez ce dernier sur la plaque de base à l'aide des vis d'ancrage, à travers le trou du boîtier de l'automatisme. Remarque : il faut respecter une distance entre la plaque de base et le boîtier de l'automatisme (5 à 10 mm) pour permettre d'ajuster ultérieurement la hauteur (voir l'image 8).
5. Passez les câbles à travers le trou correspondant au fond du boîtier de l'automatisme.
6. Fixez l'automatisme à l'aide de rondelles, de rondelles élastiques et d'écrous, comme illustré sur l'image 8.

Image 7

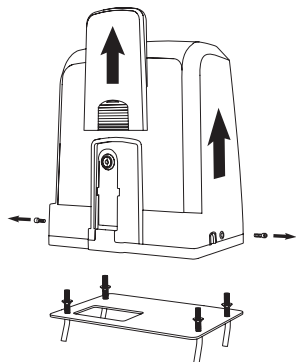
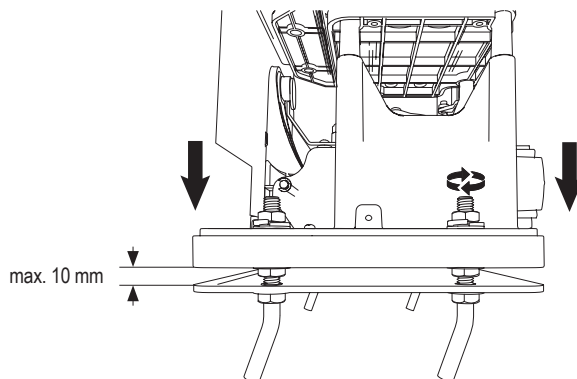


Image 8



5.5 Montage de la crémaillère du portail

1. Déplacez manuellement le portail en position FERMÉ.
2. La crémaillère en acier ou en nylon peut être fixée par soudure (acier uniquement) ou à l'aide de vis (voir l'image 9). Placez le premier segment de la crémaillère à l'extrémité du portail pour qu'elle soit reliée au pignon de l'automatisme comme illustré sur l'image 10, et fixez la crémaillère au portail. Déplacez ensuite le portail et fixez le segment de crémaillère suivant à côté du segment précédent. Procédez de cette manière jusqu'à atteindre la position OUVERT complète.

REMARQUE : vérifiez toujours que la crémaillère ne s'appuie pas entièrement sur le pignon de l'automatisme et qu'elle n'en soit pas non plus trop éloignée.

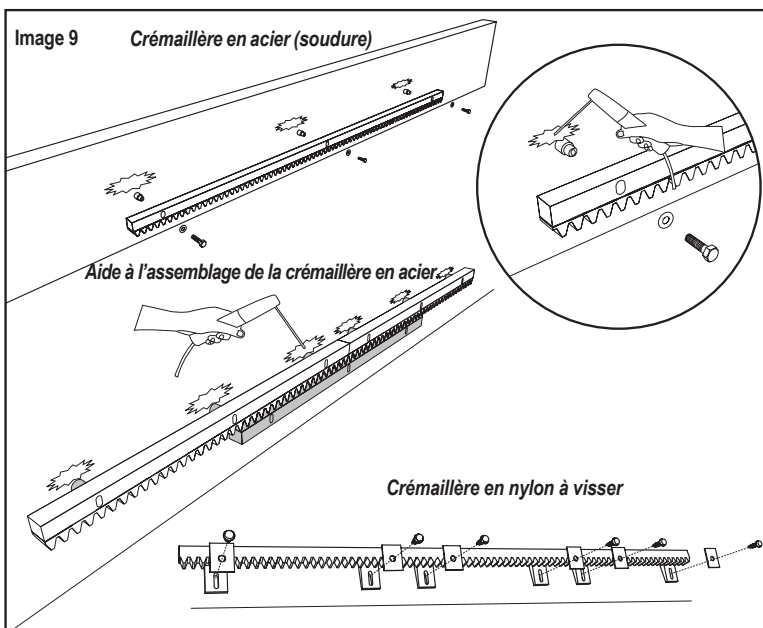
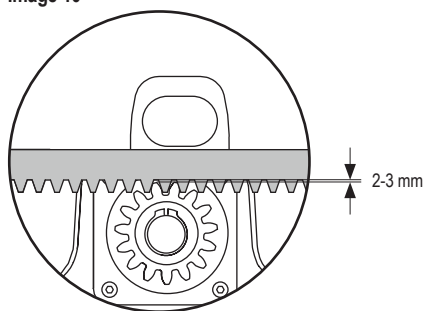
Avant l'assemblage :

- vérifiez si la profondeur de vissage nécessaire est disponible.
- Utilisez les éléments de raccordement fournis (vis) pour assembler la crémaillère.
- Fixez le segment de crémaillère à la bonne position en utilisant les vis fournies.

REMARQUE :

le type et l'épaisseur du matériau au niveau de montage de la crémaillère doivent être pris en considération. L'automatisme doit être désactivé.

Image 10

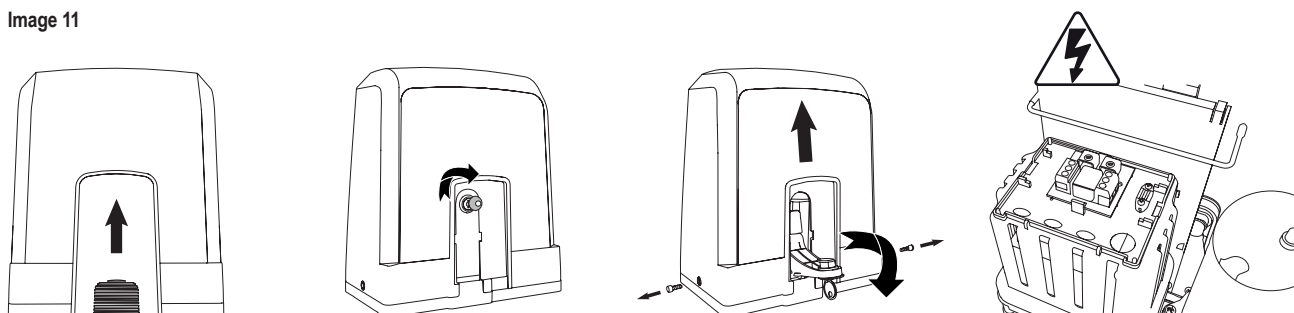


5.6 Raccordement électrique

Le raccordement électrique au secteur doit être réalisé par un électricien certifié. Pour raccorder l'appareil au secteur, retirez le couvercle de l'automatisme comme décrit ci-dessus.



Image 11



5. INSTALLATION MÉCANIQUE

5.7 Réglage de position interrupteur de fin de course

1. Assurez-vous que l'automatisme est alimenté.
2. Positionnez les supports avec les aimants aux extrémités de la crémaillère, à gauche et à droite, au niveau des positions de fin de course. Le côté des aimants est indiqué (L pour côté gauche et R pour côté droite), et ils doivent être placés à droite ou à gauche de l'automatisme (voir l'image 12). Les positions des supports peuvent être ajustées en les faisant glisser le long de la crémaillère.
3. Pour l'automatisme à déverrouillage manuel, déplacez le portail dans la direction OUVERT pour atteindre l'aimant fixé sur les crémaillères. Assurez-vous que la distance entre l'aimant et l'interrupteur de fin de course est conservée (voir l'image 13).
4. Une fois qu'il est atteint, la section du segment numérique en haut à droite de l'écran est activée.
5. Si nécessaire, ajustez la position de l'aimant, vérifiez que le segment numérique en haut à droite de l'écran est activé et fixez les vis du support magnétique.
6. Recommencez dans le sens FERMÉ pour atteindre l'aimant fixé à la position Fermé du côté opposé du portail.
7. Une fois qu'il est atteint, la section du segment numérique en bas à droite de l'écran est activée.
8. Si nécessaire, ajustez la position de l'aimant, vérifiez que le segment numérique en bas à droite de l'écran est activé et fixez les vis du support magnétique.
9. Déplacez le portail en position médiane (entre les limites d'ouvert et de fermé).

L'automatisme est prêt pour la phase d'apprentissage.

Image 12

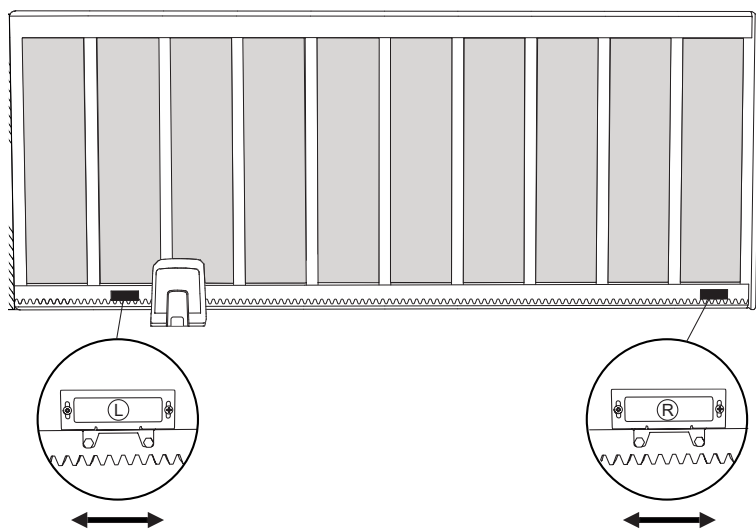
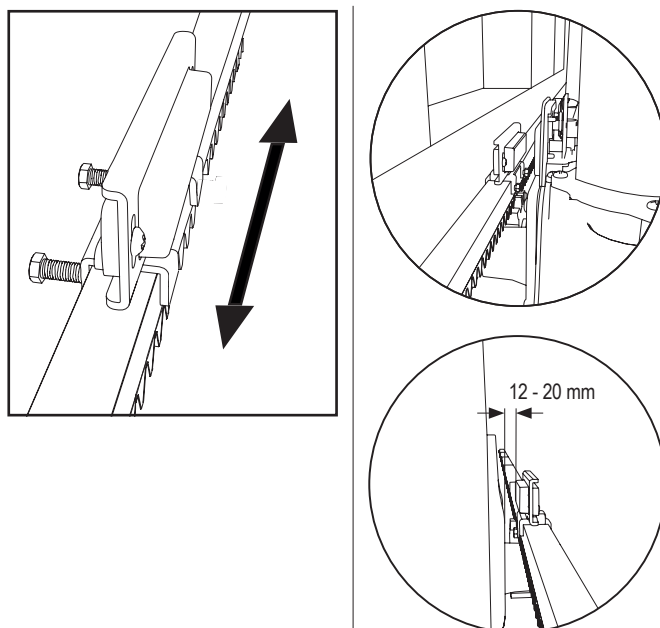


Image 13

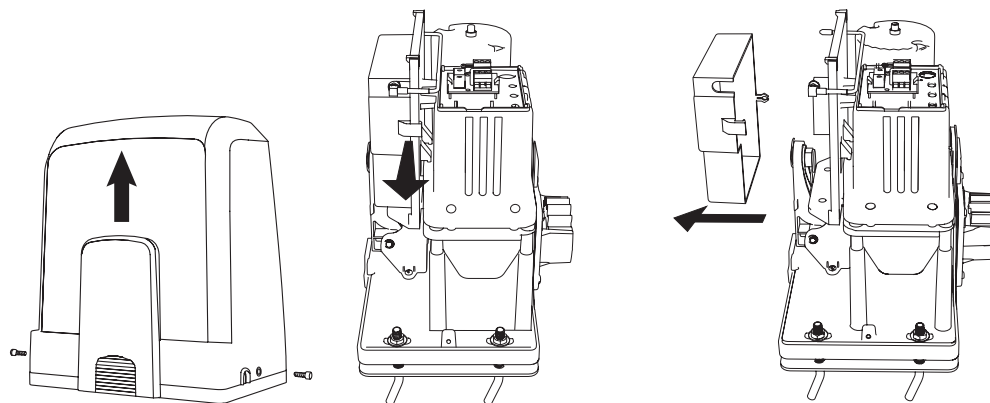


5.8 Accès au panneau de commande et connexion du moteur

- Le panneau de commande est pré-installé et pré-connecté au terminal du moteur. Aucune action supplémentaire n'est nécessaire.

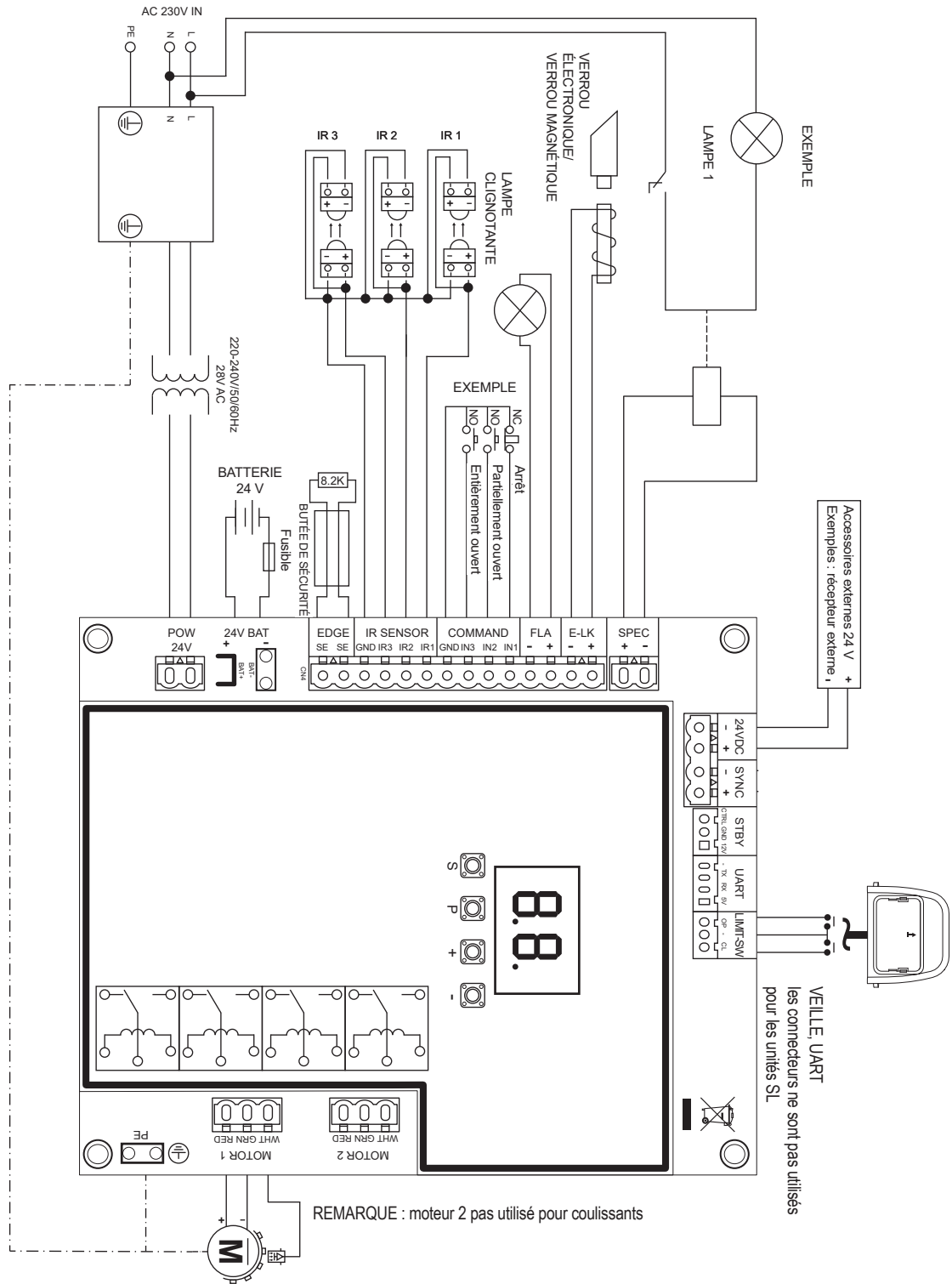
Pour accéder au panneau de commande, retirez le couvercle de l'automatisme. Les bornes des accessoires de câblage sont accessibles directement. Pour accéder aux boutons de programmation, retirez le couvercle en plastique transparent et replacez-le une fois la programmation terminée.

Image 14

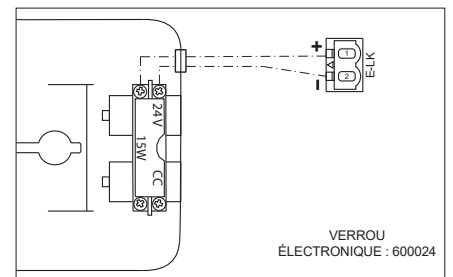
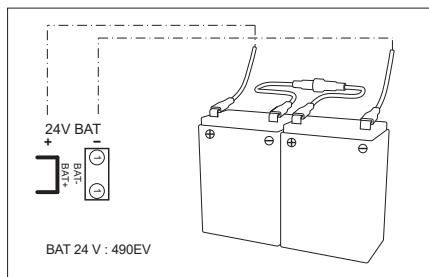
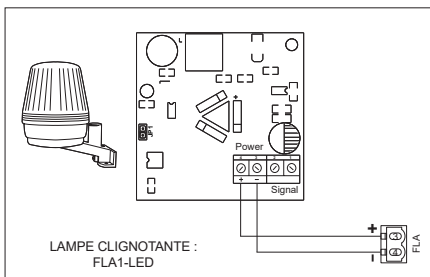


Félicitations ! L'installation mécanique de votre automatisme de portail est maintenant terminée. Passez aux étapes Programmation et Réglages de base pour pouvoir démarrer l'utilisation.

6. SCHÉMA ÉLECTRIQUE



REMARQUE : moteur 2 pas utilisé pour coulissants



7. PROGRAMMATION

7.1 Écran, boutons de programmation et réglage des fonctions

Programmer la fonction des boutons (4 boutons) :

Bouton	Fonction
S	programme/supprimer les commandes à distance et fonctions spécifiques
P	entrer dans le mode de programmation, sélectionner la fonction et enregistrer
+/-	naviguer dans le menu et changer la valeur à l'écran

La fonction et les valeurs programmées s'affichent sur l'écran LED.

Réglage des fonctions - mode programmation

L'écran LED affiche les valeurs suivantes une fois que le panneau de commande est alimenté :

	le panneau de commande est pré-programmé pour l'application pertinente (voir ci-dessous sous « Application » et « Mode veille » pour une description du statut).
	« E0 » au cas où le panneau de commande n'a pas encore été programmé, ou réinitialisation en appuyant sur « Réglage usine ». À partir de ce statut, une commande d'entrée ou de l'émetteur sera toujours ignorée.

7.2 Vue d'ensemble programmation générale

Vous allez maintenant commencer à programmer votre automatisme de portail.

La programmation est divisée en 2 sections :

1. Réglages de base (page 11)
2. Réglages avancés (page 14)

Une fois les réglages de base réalisés, les paramètres suivants seront appris automatiquement durant la phrase d'apprentissage :

1. Course entre les positions **ENTIÈREMENT FERMÉ** et **ENTIÈREMENT OUVERT**.
2. Force d'ouverture et de fermeture pour chaque moteur.

REMARQUE :

- les réglages de base et la phase d'apprentissage doivent être terminés pour permettre l'utilisation.
- Une fois la phrase d'apprentissage et la programmation terminées, l'automatisme fonctionnera avec les réglages par défaut.
- Les réglages avancés ne sont pas accessibles si les réglages de base et la phase d'apprentissage n'ont pas été terminés.
- **Avant de passer à la programmation, assurez-vous que les dispositifs de sécurité pertinents sont connectés.**

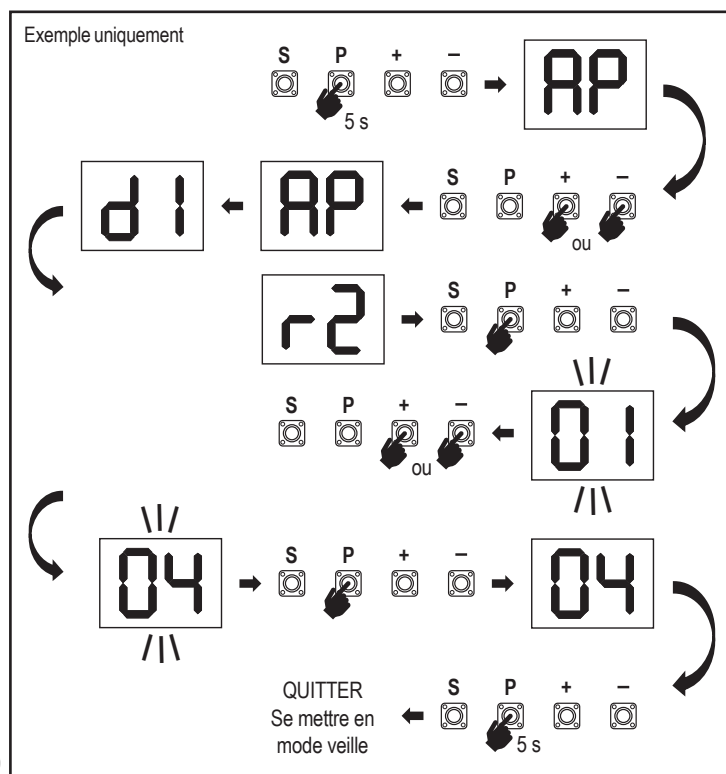
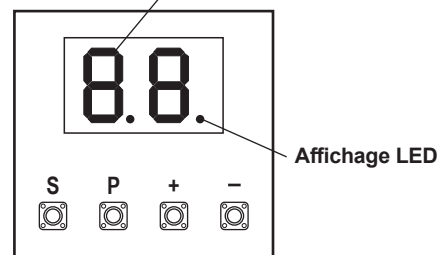
Configuration générale :

1. Appuyez sur le bouton « P » et maintenez-le enfoncé pendant 5 secondes pour entrer dans le menu. « AP » à l'écran indique la première fonction disponible dans le menu.
2. Utilisez les boutons « + » et « - » pour passer d'une fonction à l'autre.
3. Appuyez sur « P » pour sélectionner la fonction souhaitée.
4. Le réglage par défaut ou la valeur programmée précédemment apparaît. La valeur clignote à l'écran.
5. Utilisez les boutons « + » ou « - » pour sélectionner la valeur nécessaire. Appuyez sur « P » pour confirmer la sélection.
6. La fonction programmée s'affiche à l'écran.
7. Pour modifier le paramétrage d'une autre fonction, répétez les étapes des points 2 à 6
8. Pour quitter le menu Fonction, appuyez sur le bouton « P » pendant 5 secondes ; le panneau se met en veille.

Si vous n'appuyez pas sur le bouton « P » pour confirmer la nouvelle configuration de valeur, les nouveaux paramètres seront enregistrés au bout de 3 minutes et le menu de programmation sera fermé pour retourner en mode veille.

REMARQUE : Pour actionner le portail ou exécuter une commande, le menu de réglage doit être quitté en appuyant pendant 5 secondes sur le bouton « P », ou en attendant 3 minutes pour qu'il se referme automatiquement et retourne en mode veille.

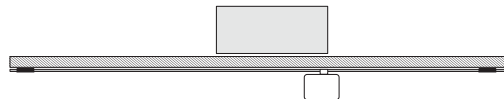
Écran LED à 2 chiffres



7. PROGRAMMATION

7.3 Sens de mouvement des vantaux

Avant la programmation, déplacez manuellement le portail en position médiane et réarmez le mécanisme de déverrouillage (voir page 6). Appuyez sur le bouton « - » du panneau de commande et maintenez-le enfoncé ; assurez-vous que le moteur se déplace dans le sens **FERMETURE**. Si c'est correct, relâchez immédiatement le bouton « - » ; le portail s'arrête.



Si le moteur se déplace dans le sens **OUVERTURE**, allez aux fonctions « d1 » et modifiez les paramètres de direction.

Une fois que le sens de **FERMETURE** est configuré correctement, laissez le portail en position médiane. L'automatisme est prêt pour la phase d'apprentissage.

Remarque : le portail peut être déplacé à l'aide des boutons « + » et « - » avant d'avoir configuré les paramètres finaux si nécessaire.

Appuyez sur le bouton « + » du panneau de commande et maintenez-le enfoncé pour déplacer le portail en position **OUVERT**. Une fois que le bouton est relâché, l'automatisme s'arrête.

Appuyez sur le bouton « - » du panneau de commande et maintenez-le enfoncé pour déplacer le portail en position **FERMÉ**. Une fois que le bouton est relâché, l'automatisme s'arrête.

7.4 Réglages de base

Vue d'ensemble des réglages de base

LED		Fonction
		Réglages de base (obligatoire)
	AP	Application
	d1	Moteur de direction 1
	LL	Phase d'apprentissage des limites

7.4.1 Réglages d'application

Fonction application affichée à l'écran.

Cette fonction est pré-réglée en usine à la valeur correcte définie pour l'automatisme livré.



	Portail coulissant, CHSL400
--	-----------------------------

Plus de paramètres disponibles sur demande :

	Aucune application sélectionnée
--	---------------------------------

Les valeurs 02-05 ne conviennent pas adaptées pour l'application CHSL et ne doivent pas être choisies

7.4.2 Réglages des directions du moteur



Fonction moteur de direction affichée à l'écran

Définit la direction de mouvement du moteur.

	Le moteur est installé à gauche (par défaut).
	Le moteur est installé à droite .

7.4.3 Apprentissage des limites



Avant de pouvoir commencer la phase d'apprentissage des limites, la préparation de l'apprentissage de la position de fin de course doit être réalisée, comme décrit dans la section Configuration de la position d'interrupteur de fin de course.

Assurez-vous que les positions limites sont vérifiées et que le portail est en position médiane avant de démarrer la phase d'apprentissage des limites.

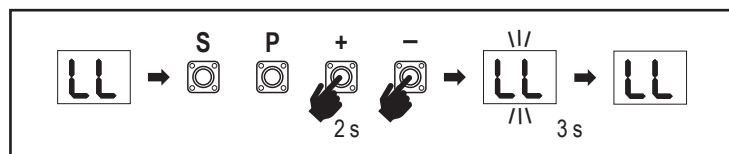
Avant de démarrer une phase d'apprentissage, assurez-vous que :

1. les autres réglages de base sont terminés
2. les aimants sont installés et fonctionnent correctement
3. le premier mouvement sera en direction de la **FERMETURE**.

Méthodes d'apprentissage disponibles :

Mode d'apprentissage standard (automatique)

1. OUVREZ le menu LL.
2. Appuyez sur les boutons « + » et « - » et maintenez-les enfoncés pendant 2 secondes.
3. Le processus d'apprentissage automatique démarre. LL va clignoter à l'écran durant tout le processus.
4. Le portail se déplace en direction de la **FERMETURE** jusqu'à ce que l'interrupteur de fin de course **FERMETURE** soit atteint, et il s'arrête pendant 2 secondes avant de repartir dans la direction de l'**OUVERTURE**.
5. Le portail se déplace en direction de l'**OUVERTURE** jusqu'à atteindre l'interrupteur de fin de course d'ouverture.
6. Le portail se déplace en direction de la **FERMETURE** jusqu'à atteindre l'interrupteur de fin de course de fermeture, puis il s'arrête.
7. La phase d'apprentissage standard est terminée. LL apparaît à l'écran et le panneau retourne en mode veille au bout de 3 secondes.



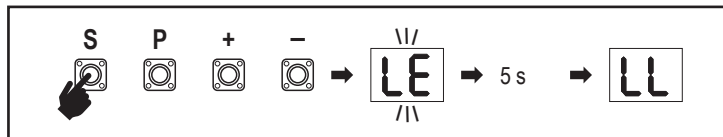
Les paramètres suivants sont configurés durant le mode d'apprentissage standard :

1. Course entre les positions **ENTIÈREMENT FERMÉ** et **ENTIÈREMENT OUVERT**.
2. Force d'ouverture et de fermeture.
3. 60 cm de déplacement dans les deux directions sont attribués pour l'arrêt en douceur.

7.PROGRAMMATION

REMARQUE : pour arrêter la phase d'apprentissage, appuyez sur le bouton « S ». Le processus d'apprentissage s'interrompt, « LE » clignote sur l'écran LED. Au bout de 5 secondes, « LL » apparaît à l'écran pour indiquer qu'il est possible de recommencer une phase d'apprentissage. Si le processus d'apprentissage n'a pas été terminé, il faut le recommencer depuis le début.

ATTENTION : la phase d'apprentissage doit être terminée pour permettre l'utilisation.



7.5 Mode veille

Une fois que le panneau de commande est en route et que la programmation est terminée, l'écran LED s'allume complètement pendant 2 secondes avant de se mettre en mode veille. Durant le mode veille, l'écran LED indique l'état actuel du portail.

	Un moteur
Le moteur s'ouvre, la partie supérieure de l'écran clignote.	
Le moteur s'arrête en position ouverte au niveau de l'interrupteur de fin de course, la partie supérieure de l'écran est allumée.	
Le moteur se ferme, la partie inférieure de l'écran clignote.	
Le moteur s'arrête en position fermée au niveau de l'interrupteur de fin de course, la partie inférieure de l'écran est allumée.	
Le moteur s'arrête au milieu, le milieu de l'écran est allumé.	

Les réglages de base sont maintenant terminés. Vous pouvez quitter la programmation et utiliser votre portail, ou passer aux réglages avancés.

7. PROGRAMMATION

7.6 Programmation et suppression des télécommandes, accessoires radio et appareils myQ

Programmer les appareils de commande à distance (émetteurs et commandes murales sans fil) :

REMARQUE : les télécommandes livrées avec l'automatisme sont déjà programmées en usine pour fonctionner avec l'automatisme (bouton en haut à côté de la LED) et ne nécessitent pas de programmation supplémentaire.

1. Appuyez sur le bouton « S » et relâchez-le. Un voyant LED s'allume à l'écran. L'automatisme reste en mode de programmation radio pendant 3 minutes. L'apprentissage de tout appareil radio accessoire peut être réalisé durant les 30 premières secondes. Seul l'apprentissage des appareils myQ peut être réalisé durant les 2,5 minutes restantes.
2. Choisissez le bouton nécessaire sur votre émetteur et maintenez-le enfoncé jusqu'à ce que le point à l'écran s'éteigne.

Appuyez sur le bouton « S » pour quitter le mode de programmation radio.

Pour programmer un clavier sans fil, veuillez suivre le manuel propre à l'accessoire.

Programmation de l'émetteur en ouverture partielle

Appuyez sur les boutons « S » et « + » en même temps et maintenez-les enfoncés jusqu'à ce que le voyant LED commence à clignoter. Appuyez sur le bouton libre souhaité de l'émetteur et maintenez-le enfoncé pour programmer le mode d'ouverture partielle.

Le voyant LED s'éteint une fois la programmation terminée. Si une lumière est connectée au contacteur SPEC, elle clignote une fois.

Programmation de la passerelle myQ (830REV-01) :

1. Brancher

Branchez le câble Ethernet (1) fourni avec la passerelle au routeur (2). Utilisez la prise valable pour votre pays (pas tous les modèles). Branchez le secteur (3) à la passerelle internet (4). Une fois la passerelle internet connectée à internet, la lumière verte (5) arrête de clignoter et reste allumée de façon fixe. Un jeu d'IR branchés est nécessaire pour l'utilisation avec myQ.

2. Créer un compte

Téléchargez l'appli gratuite myQ depuis l'App Store ou le Google Play Store, et créez un compte. Si vous avez déjà un compte, utilisez votre nom d'utilisateur et votre mot de passe.

3. Enregistrer la passerelle internet

Entrez le numéro de série situé sous la passerelle internet lorsque vous y êtes invité.

4. Ajouter des appareils myQ

Pour ajouter votre automatisme de portail à la passerelle enregistrée, suivez les instructions dans l'application. Lorsque vous ajoutez un nouvel automatisme de portail compatible myQ, appuyez sur le bouton « S » du panneau de commande de l'automatisme, et relâchez-le. Un voyant LED s'allume à l'écran du panneau de commande.

Remarque : une fois que vous avez ajouté un appareil, la lumière bleue apparaît sur la passerelle internet et reste allumée. Appuyez sur le bouton « S » du panneau de commande de l'automatisme pour quitter le mode de programmation radio.

5. Tester

Une fois l'installation et l'enregistrement terminés, vous pouvez tester les fonctions suivantes : ouvrir ou fermer le portail, demander le statut PORTAIL OUVERT ou PORTAIL FERMÉ.

Pour plus de fonctions, reportez-vous à www.chamberlain.eu

Supprimer des appareils à commande radio (émetteurs, commandes murales sans fil, claviers sans fil) :

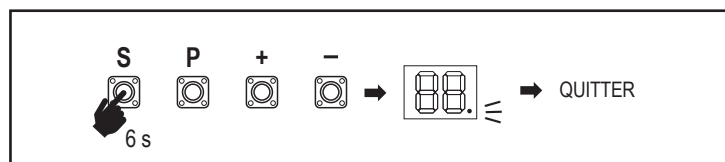
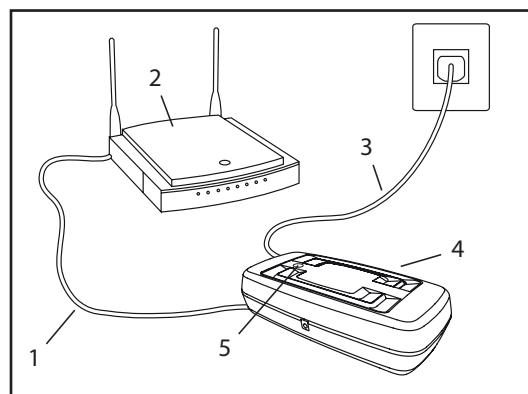
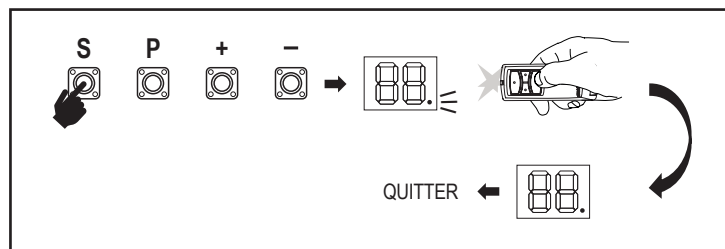
Appuyez sur le bouton « S » et maintenez-le enfoncé pendant plus de 6 secondes. Tous les appareils à commande radio (émetteurs, commandes murales, claviers) sont supprimés. Le voyant LED de l'écran s'éteint.

Remarque : il n'est pas possible de supprimer les appareils à commande radio un par un.

Supprimer les appareils myQ :

1. Supprimez tout d'abord les appareils à commande à distance comme indiqué ci-dessus.
2. Pendant les 6 secondes suivantes, appuyez sur le bouton « S » et maintenez-le enfoncé. Un voyant LED s'allume à l'écran.
3. Appuyez sur le bouton « S » et maintenez-le enfoncé pendant plus de 6 secondes. Tous les appareils myQ sont supprimés. Le voyant LED de l'écran s'éteint.

REMARQUE : il n'est pas possible de supprimer les appareils myQ un par un. Il n'est pas possible de supprimer uniquement les appareils myQ.



7. PROGRAMMATION

7.7 Réglages avancés

Vous allez maintenant commencer les réglages avancés.

7.7.1 Vue d'ensemble réglages avancés

LED		Fonction
	tr	Émetteur
	r1	Cellule photoélectrique IR1
	r2	Cellule photoélectrique IR2
	r3	Cellule photoélectrique IR3
	i1	Commande d'entrée 1
	i2	Commande d'entrée 2
	i3	Commande d'entrée 3
	Pd	Ouverture partielle
	tC	Minuterie de fermeture (TTC - Timer To Close)
	rt	Temps d'inversion après impact
	EL	Verrou électronique

LED		Fonction
	FL	Lampe clignotante
	PF	Pré-clignotement
	SP	Contacteur spécial
	St	Vitesse de DÉMARRAGE pour OUVERTURE et FERMETURE
	Cn	Compteur de maintenance
	Fd	Réglages d'usine
	FE	Terminer et quitter

7.7.2 Réglages de l'émetteur

La fonction de l'émetteur détermine la façon dont les commandes de l'émetteur fonctionnent.

Remarque : avec les paramètres « 01 », « 02 » et « 03 », la minuterie TTC est écrasée par une commande de l'émetteur et FERME le portail.

Avec le paramètre « 04 », le compte à rebours de la minuterie TTC actif est réinitialisé par une commande de l'émetteur pour redémarrer.

	Mode résidentiel : Ouvrir - Fermer - Ouvrir
	Mode standard : Ouvrir - Arrêt - Fermer - Arrêt - Ouvrir (par défaut)
	Automatique avec mode arrêt : Ouvrir - Arrêt - Fermer - Ouvrir
	Mode parking : Ouvrir, jusqu'à la position Ouverture complète. Toute commande supplémentaire durant l'ouverture sera ignorée

7.7.3 Réglages des cellules photoélectriques à infrarouge

Les fonctions IR définissent le mode de fonctionnement des Cellules photoélectriques à infrarouge (IR).

Les IR apprennent automatiquement lorsqu'elles sont installées. Chacun des 3 jeux d'IR peut être programmé individuellement.

REMARQUE : en fonction des réglages choisis, les entrées d'ouverture partielle ou les commandes à distance ne seront pas exécutées dans les deux directions OUVERTURE ou FERMETURE si le faisceau IR est entravé.

Si les IR sont supprimées, l'alimentation du panneau de commande doit être arrêtée/mise en route deux fois pour effacer l'apprentissage.

Pour le contrôle et la maintenance des cellules photoélectriques, reportez-vous au manuel des cellules photoélectriques.

	IR actif sur mouvement FERMETURE. Si le faisceau IR est entravé, le portail repart en position OUVERTURE complète (par défaut).
	IR actif sur mouvement OUVERTURE. Si le faisceau IR est entravé, le portail s'arrête. Une fois que l'obstacle disparaît, le portail continue de s'OUVRIR.
	IR actif sur mouvement OUVERTURE et FERMETURE. Si le faisceau IR est entravé sur le mouvement FERMETURE, le portail s'arrête et repart en position OUVERTURE complète une fois l'obstacle disparu. Si le faisceau IR est entravé sur le mouvement OUVERTURE, le portail s'arrête. Une fois que l'obstacle disparaît, le portail continue de s'OUVRIR.
	IR actif sur mouvement FERMETURE. Si le faisceau IR est entravé, le portail repart en position OUVERTURE complète. La fonction TTC activée sera écrasée 2 secondes après l'élimination de l'obstacle du faisceau et commencera le mouvement de FERMETURE sans attendre la fin de la minuterie TTC.

7.7.4 Réglages d'entrée

La fonction d'entrée définit la façon dont les commandes d'entrée des accessoires externes sont exécutées. Chacune des 3 entrées peut être programmée individuellement.

REMARQUE : avec les paramètres « 01 », « 02 » et « 03 », la minuterie TTC est écrasée par une commande d'entrée et FERME le portail. Avec le paramètre « 06 », le compte à rebours de la minuterie TTC actif est réinitialisé par une commande d'entrée pour redémarrer.

7. PROGRAMMATION

01	Ouvrir - Fermer - Ouvrir
02	Ouvrir - Arrêt - Fermer - Arrêt - Ouvrir (par défaut)
03	Ouvrir - Arrêt - Fermer - Ouvrir
04	Ouverture partielle
05	ARRÊT (contacteur NC)

7.7.5 Ouverture partielle

Pd

L'ouverture partielle vous donne la possibilité d'ouvrir uniquement le vantail actif à une valeur prédéfinie.

REMARQUE : la commande Pd fonctionne depuis la position Fermeture fin de course et durant le mouvement de fermeture. Si une commande Pd est exécutée à partir d'une position OUVERTURE complète, le portail se ferme.

Une commande d'ouverture ou d'émetteur écrase toujours la commande Pd.

01	Distance d'ouverture 1,5 m
02	Distance d'ouverture 2 m (par défaut)
03	Distance d'ouverture 3 m

Programmation de l'émetteur en ouverture partielle

- Appuyez sur les boutons « S » et « + » du panneau de commande en même temps et maintenez-les enfoncés jusqu'à ce que le voyant LED commence à clignoter.
- Appuyez sur le bouton libre souhauté de l'émetteur et maintenez-le enfoncé pour programmer le mode d'ouverture partielle.
- Le voyant LED s'éteint une fois la programmation terminée. Si une lumière est connectée au contacteur SPEC, elle clignote une fois.

7.7.6 Minuterie de fermeture

TC

La fonction minuterie de fermeture (TTC) permet la fermeture automatique du portail à partir d'une position d'OUVERTURE complète au bout d'une période de temps prédéfinie. Au moins un jeu de cellules photoélectriques à infrarouge (IR) Chamberlain doit être installé pour surveiller le mouvement de fermeture afin de permettre le fonctionnement TTC. La TTC ne fonctionnera pas si les IR protègent uniquement le mouvement d'ouverture.

La TTC fonctionne également lorsque l'ouverture partielle est activée. Si la fonction TTC est active, la minuterie commence le compte à rebours et, si les faisceaux IR sont interrompus, la minuterie TTC redémarre.

00	TTC pas actif (par défaut)	05	1 minute
01	10 secondes	06	1,5 minute
02	20 secondes	07	2 minutes
03	30 secondes	08	3 minutes
04	45 secondes	09	5 minutes

7.7.7 Temps d'inversion après impact

rt

La fonction temps d'inversion après impact définit le comportement d'inversion après une obstruction par un obstacle durant un mouvement de fermeture ou d'ouverture. Ce comportement d'inversion est valable tant pour la détection de la force du moteur que pour l'application de butée de sécurité.

01	Inversion de 2 secondes et arrêt
02	Inversion pour retourner jusqu'à la position de fin de course (par défaut)
03	Durant le mouvement de fermeture, le portail repart en position Ouvert en cas d'impact. Durant le mouvement d'ouverture, le portail repart dans le sens inverse pendant 2 secondes en cas d'impact, puis s'arrête

7.7.8 Réglages verrou électronique/verrou magnétique

EL

La fonction verrou électronique définit le comportement verrou électronique/magnétique. Un verrou électronique ou magnétique 24 VDC - 500 mA peut être relié.

00	Verrou électronique/magnétique pas installé (par défaut)
01	Verrou électronique actif pendant 1 seconde avant le démarrage du moteur dans le sens d'ouverture
02	Verrou électronique actif pendant 2 secondes avant le démarrage du moteur dans le sens d'ouverture
03	Verrou magnétique, toujours actif lorsque le portail est FERMÉ ; toujours inactif durant le mouvement OUVERTURE et FERMETURE, lorsque le portail est OUVERT ou en position ARRÊT. Le verrou magnétique sera désactivé en mode batterie de secours.

7.7.9 Réglages lumière clignotante

FL

La fonction lumière clignotante permet de sélectionner le type de lampe clignotante connectée. Une lampe clignotante 24 VDC - 500 mA max. (FLA1-LED) peut être connectée.

00	Pas de lampe clignotante installée (par défaut)
01	Alimentation 24 V continue - pour lampe clignotante avec panneau de commande propre (FLA1-LED)
02	Alimentation 24 V interrompue - pour lampe clignotante sans panneau de commande propre

7.7.9a Pré-clignotement

PF

La fonction pré-clignotement définit l'intervalle de temps de pré-clignotement de la lampe clignotante avant le mouvement du portail. Fonction non active si la fonction lampe clignotante (FL) est réglée sur « 00 ».

00	Pas de pré-clignotement (par défaut)	03	3 secondes
01	1 seconde	04	4 secondes
02	2 secondes	05	5 secondes

7.7.10 Réglages contacteur spécial

SP

La fonction contacteur spécial définit le temps d'activation du relais. Un relais 24 V 500 mA max. peut être connecté pour gérer d'autres appareils, par ex. un éclairage de courtoisie. Le temps réglé ici contrôle également le compte à rebours pour la lumière myQ à distance.

00	pas d'activation (par défaut)	05	1,5 minute
01	15 secondes	06	2 minutes
02	30 secondes	07	3 minutes
03	45 secondes	08	4 minutes
04	1 minute	09	5 minutes

7. PROGRAMMATION

7.7.11 Vitesse de démarrage dans les sens ouverture et fermeture

St

La fonction vitesse de démarrage permet d'allumer et d'éteindre le démarrage en douceur dans les sens OUVERTURE et FERMETURE.

00	désactivé (par défaut)
01	Démarrage en douceur actif : le moteur accélère progressivement jusqu'à atteindre la vitesse normale.

7.7.12 Compteur de maintenance

Cn

La fonction compteur de maintenance permet de régler l'intervalle de maintenance en cycles. Un pré-clignotement de la lampe clignotante de 4 secondes indique que l'intervalle est atteint. Si la fonction PF (pré-clignotement) est active, un pré-clignotement de 4 secondes est ajouté au temps réglé. Pour réinitialiser le compteur après la maintenance, il suffit de programmer les cycles une fois de plus.

00	pas de compteur (par défaut)	02	2000 cycles
01	1000 cycles cycles
		20	20 000 cycles

7.8 Réglages d'usine

Fd

La fonction réglages d'usine réinitialise le panneau de commande aux paramètres d'usine originaux. Tous les paramètres, y compris les paramètres de fin de course, sont supprimés. L'écran LED affiche « E0 ». Les télécommandes programmées conservent les paramètres appris. Si les accessoires de commande à distance doivent être supprimés, référez-vous à la section Programmation des commandes radio du présent manuel.

00	pas de réinitialisation (par défaut)
01	réinitialisation aux réglages d'usine

7.9 Terminer et quitter

FE

Pour quitter la phase de programmation et sauvegarder tous les changements, sélectionnez la fonction FE et appuyez sur le bouton « P ». Le panneau de commande se met en mode veille et est prêt à fonctionner.

Il y a aussi d'autres façons de quitter la programmation et de sauvegarder les paramètres :

- Appuyez sur le bouton « P » et maintenez-le enfoncé pendant 5 secondes
- Attendez 3 minutes après les derniers changements de programmation pour quitter automatiquement

8. BATTERIE DE SECOURS

Mode batterie de secours (BBU)

bu

Des batteries au plomb 12 V, 2,2 Ah SKU 490EV (en option, pas incluses) peuvent être montées en option à l'intérieur du boîtier de l'automatisme. Suivez le manuel de SKU 490EV pour connaître la procédure d'installation exacte.

Une lampe clignotante (si installée) clignote pendant 2 secondes toutes les 10 minutes pour indiquer le mode BBU et la perte de puissance. Le panneau de commande passe en mode veille et le récepteur radio actif n'accepte que les commandes des appareils commandés par radio. Tous les autres accessoires et appareils périphériques ne fonctionnent pas. En mode batterie de secours, la commande myQ par smartphone et les appareils sans fil myQ sont désactivés. La capacité de la batterie entièrement chargée correspond à environ 20 cycles pour une moyenne de 2 par heure. Au bout de 24 heures de mode BBU, la batterie fournit de la puissance pour 1 cycle complet d'ouverture et de fermeture.

Veuillez noter que seule la batterie spécifiée peut être utilisée. L'utilisation d'une autre batterie entraîne la perte des droits à la garantie auprès de Chamberlain pour tout dommage résultant de l'utilisation de ces batteries non conformes.

9. CODES D'ERREUR

LED	Code d'erreur	Problème	Raison possible	Solution
E0	E0	Lorsqu'on appuie sur l'émetteur, le portail ne se déplace pas.	AP est sur 00	Vérifier si AP est sur 00. Si c'est le cas, entrer la valeur d'application correcte.
E1	E1	Le portail ne se ferme pas mais s'ouvre.	1) L'IR1 n'est pas branchée, ou le fil est coupé.	1) Vérifier si l'IR1 n'est pas branchée ou si le fil est coupé.
			2) Le fil de l'IR1 est coupé ou connecté à l'envers.	2) Vérifier le branchement de l'IR1, changer les fils si nécessaire.
			3) L'IR1 n'est pas alignée ou est bloquée pendant un moment.	3) Aligner l'émetteur et le récepteur IR pour s'assurer que les deux LED sont allumées au lieu de clignoter. S'assurer que rien ne pend sur le portail qui pourrait entraver l'IR.
E2	E2	Le portail se ferme lorsqu'il est en bout de course d'ouverture, mais ne s'ouvre pas lorsqu'il est en bout de course de fermeture.	1) L'IR2 n'est pas branchée, ou le fil est coupé.	1) Vérifier si l'IR2 n'est pas branchée ou si le fil est coupé.
			2) Le fil de l'IR2 est coupé ou connecté à l'envers.	2) Vérifier le branchement de l'IR2, changer les fils si nécessaire.
			3) L'IR2 n'est pas alignée ou est bloquée pendant un moment.	3) Aligner l'émetteur et le récepteur IR pour s'assurer que les deux LED sont allumées au lieu de clignoter. S'assurer que rien n'entrave l'IR.
E3	E3	Lorsqu'on appuie sur l'émetteur, le portail ne se déplace pas.	1) L'IR3 n'est pas branchée, ou le fil est coupé.	1) Vérifier si l'IR3 n'est pas branchée ou si le fil est coupé.
			2) Le fil de l'IR3 est coupé ou connecté à l'envers.	2) Vérifier le branchement de l'IR3, changer les fils si nécessaire.
			3) L'IR3 n'est pas alignée ou est bloquée pendant un moment.	3) Aligner l'émetteur et le récepteur IR pour s'assurer que les deux LED sont allumées au lieu de clignoter. S'assurer que rien ne pend sur le portail qui pourrait entraver ponctuellement l'IR.
E4	E4	Lorsqu'on appuie sur l'émetteur, le portail ne se déplace pas.	1) La butée de sécurité n'est pas connectée à la résistance 8,2 kOhm.	1) Vérifier si la butée de sécurité 8,2 kOhm est correctement connectée ou si la résistance 8,2 kOhm est installée.
			2) Le fil de la butée de sécurité est coupé.	2) Vérifier les fils de la butée de sécurité et les remplacer si nécessaire.
			3) La butée de sécurité est écrasée.	3) Vérifier si la butée de sécurité est écrasée.
E5	E5	Lorsqu'on appuie sur l'émetteur, le portail ne se déplace pas.	1) L'interrupteur d'ARRÊT est ouvert.	1) Vérifier si l'interrupteur d'ARRÊT est ouvert ou endommagé.
			2) L'interrupteur d'ARRÊT n'est pas connecté.	2) Vérifier si l'interrupteur d'ARRÊT est déconnecté. Si c'est le cas, reconnecter l'interrupteur d'ARRÊT ou modifier le réglage d'entrée concerné.
E6	E6	Erreur aimant	1) L'interrupteur magnétique n'est pas connecté ou il est mal connecté.	1) Vérifier si l'interrupteur magnétique est connecté correctement. Si ce n'est pas le cas, réparer la connexion.
			2) Le bloc aimant est tombé de l'interrupteur ou le fusible a sauté.	2) Vérifier si le bloc aimant est tombé de l'interrupteur ou si le fusible a sauté.
E7	E7	Lorsqu'on appuie sur l'émetteur, le portail ne se déplace pas.	L'amplification du panneau de commande pour le moteur 1 a échoué.	Couper l'alimentation pendant 20 secondes et réinitialiser pour vérifier si le panneau de commande se remet en marche. Si ce n'est pas le cas, remplacer le panneau de commande.
E9	E9	Lorsqu'on appuie sur l'émetteur, le portail ne se déplace pas.	Erreur de mémoire du panneau de commande.	Couper l'alimentation pendant 20 secondes et réinitialiser pour vérifier si le panneau de commande se remet en marche. Si ce n'est pas le cas, remplacer le panneau de commande.
F1	F1	Arrêt et inversion du moteur durant l'ouverture ou la fermeture.	Le moteur est bloqué.	Vérifier et retirer l'obstacle. Nettoyer le portail.
F3	F3	Arrêt et inversion du moteur durant l'ouverture ou la fermeture.	Le moteur cale ou le capteur de vitesse est endommagé.	Vérifier si le moteur 1 a calé ou si le capteur de vitesse est endommagé.
F5	F5	Lorsqu'on appuie sur l'émetteur, le moteur ne réagit pas.	Le module radio a échoué.	Couper l'alimentation pendant 20 secondes et réinitialiser pour vérifier si le panneau de commande se remet en marche. Si ce n'est pas le cas, remplacer le panneau de commande.
F6	F6	Le portail s'inverse durant la fermeture.	Batterie déchargée.	Charger la batterie.
F7	F7	Lorsqu'on appuie sur l'émetteur, le portail ne se déplace pas.	Panneau de commande endommagé.	Couper l'alimentation pendant 20 secondes et réinitialiser pour vérifier si le panneau de commande se remet en marche. Si ce n'est pas le cas, remplacer le panneau de commande.
F9	F9	Lorsqu'on appuie sur l'émetteur ou le bouton poussoir, le moteur ne réagit pas.	Le menu AP est réinitialisé aux réglages d'usine.	Réapprendre les fins de course.
LE	LE	Le moteur s'arrête de façon soudaine.	Appuyer sur C durant l'apprentissage des fins de course.	Réapprendre les fins de course.

10. DONNÉES TECHNIQUES

		CHSL400EVC
Tension d'entrée	VAC	220-240
Fréquence d'entrée	Hz	50/60
Tension du moteur	VDC	24 V
Consommation en veille (sans accessoires)	W	4,45
Puissance nominale	W	110
Charge nominale	Nm	3,6
Cycles par heure		5
Cycles max. par jour		20
Poids max. du portail	kg	400
Largeur max. du portail	m	4
Vitesse d'ouverture max.	mm/s	160
Couple maximal	Nm	12
Système de fin de course		Interrupteur magnétique
Fréquence radio de fonctionnement	MHz	RX 433 MHz (433,30 MHz, 433,92 MHz, 434,54 MHz) RX 868 MHz (868,30 MHz, 868,95 MHz, 869,85 MHz) TX 865.125 MHz, 865.829 MHz, 866.587 MHz
Puissance d'émission		< 10 mW
Code		Security +2.0
Nombre max. de télécommandes		180
Nombre max. de claviers		4
Nombre max. d'appareils myQ		16
Puissance des accessoires externes		24 VDC - max. 500 mA
Connecteur lampe clignotante		24 VDC - max. 500 mA
Connecteur verrou électronique/magnétique		24 VDC - max. 500 mA
Relais externe		24 VDC - max. 500 mA
Butée de sécurité		8,2 kOhm
Nombre max. d'IR		3
Nombre max. d'entrées externes		3
Unité de batterie de secours		2 batteries 12 V, 2,2 Ah modèle 490EV
Indice de protection du moteur	IP	44
Niveau sonore	dB	< 70 db(A)
Température de service	°C	de -20 °C à +55 °C
Poids (kit)	kg	12
Fréquence de l'émetteur	TX4REV-F	868 MHz (868.30 MHz, 868.95 MHz, 869.85 MHz)
Puissance d'émission		<10 mW
Batterie		CR2032 3V

11. MAINTENANCE

Remplacer les piles dans la télécommande

Piles de la télécommande :

Les piles de la télécommande ont une durée de vie très longue. Si la portée d'émission diminue, il faut les remplacer. Les piles ne sont pas couvertes par la garantie.

Veillez respecter les instructions suivantes pour les piles :

Les piles ne doivent pas être traitées comme des déchets ménagers. La loi exige de tous les consommateurs qu'ils éliminent les piles de façon correcte aux points de collecte désignés. Il ne faut jamais recharger des piles qui ne sont pas conçues pour l'être.

Risque d'explosion !

Maintenez les piles hors de la portée des enfants, ne créez pas de court-circuits entre elles et ne les démontez pas. En cas d'ingestion d'une pile, consultez immédiatement un médecin. Si nécessaire, nettoyez les contacts des piles et des appareils avant de les charger. Retirez immédiatement les batteries déchargées de l'appareil !

Risque accru de fuite !

N'exposez jamais les piles à une chaleur extrême comme le rayonnement du soleil, le feu ou une autre source de chaleur !

Risque accru de fuite !

Évitez tout contact avec la peau, les yeux et la bouche. Rincez les pièces contaminées par l'acide de la pile à l'eau froide abondante et consultez immédiatement un médecin. Utilisez uniquement des piles de type identique. Retirez les piles si l'appareil n'est pas utilisé pendant une longue période.

Remplacer la pile :

Pour remplacer la pile, retournez la télécommande et ouvrez le boîtier à l'aide d'un tournevis. Soulevez le couvercle ainsi que le panneau de commande en dessous. Faites glisser la pile vers le côté et retirez-la. Faites attention à la polarité de la pile ! Remontez le tout en sens inverse.

ATTENTION !

Si la batterie est remise de façon incorrecte, cela peut entraîner une explosion. Remplacement uniquement par un type identique ou équivalent (CR2032) 3 V.

PRUDENCE

L'utilisation du mauvais type de pile entraîne un risque d'explosion.

Ne pas avaler la pile, risque de brûlure chimique.

Ce produit contient une pile bouton. En cas d'ingestion, les piles peuvent entraîner des blessures ou même la mort.

AVERTISSEMENT

- Gardez les piles hors de vue et hors de portée des enfants ; les piles au lithium/piles bouton peuvent être une source de danger pour les plus petits.
- Jetez immédiatement vos piles boutons usagées. N'utilisez pas de piles défectueuses ou ayant été ingérées.
- Vérifiez régulièrement si les compartiments de la pile sont bien fixés, n'utilisez plus l'appareil s'ils sont défectueux.
- Consultez immédiatement un médecin si une pile a été avalée ou introduite dans une autre partie du corps.



Mécanisme d'entraînement

Le mécanisme d'entraînement ne nécessite pas de maintenance. Vérifiez à intervalles réguliers (tous les mois) que le portail et le mécanisme d'entraînement sont attachés de façon sûre. Déclenchez l'entraînement et vérifiez que le portail fonctionne correctement. Si le portail ne se déplace pas sans encombres, il ne fonctionnera pas correctement avec le mécanisme d'entraînement. L'entraînement ne peut pas éliminer les problèmes liés à un portail qui ne fonctionne pas correctement.


Réglage de l'interrupteur de fin de course et de la force


Ces réglages doivent être vérifiés et réalisés correctement durant l'installation du dispositif d'ouverture ! À cause des intempéries, de petits changements peuvent se produire durant le fonctionnement du dispositif d'ouverture, auxquels il faut remédier grâce à un nouveau réglage. Cela peut notamment se produire durant la première année d'utilisation. Suivez attentivement les instructions pour définir les limites de déplacement et la force (référez-vous à la section Phase d'apprentissage des limites, pages 11 et 12) et vérifiez l'inversion de sécurité automatique après chaque réglage !

Démontage

Consigne IMPORTANTE ! Suivez les consignes de sécurité. Voir « Instructions de sécurité » (pages 2 et 3). La procédure décrite dans la section « installation », en sens inverse. Ne tenez pas compte des instructions de configuration.

12. ÉLIMINATION

 Nos équipements électriques et électroniques ne doivent pas être éliminés avec les déchets ménagers ; après utilisation, ils doivent être éliminés en conformité avec la directive DEEE de l'UE : 2012/19/EU sur les déchets d'équipements électriques et électroniques afin de garantir le recyclage des matériaux. La collecte séparée des déchets d'équipements électriques signifie leur élimination écologique, et est complètement gratuite pour le consommateur. N° d'enregistrement DEEE en Allemagne : DE66256568. Tout déchet d'emballage laissé au consommateur final doit être collecté séparément des déchets mixtes, en conformité avec la directive. L'emballage ne doit pas être éliminé avec les déchets ménagers, ni avec les déchets organiques ou dans la nature. Les matériaux d'emballage doivent être triés conformément à leur type et éliminés dans les containers de recyclage fournis, ou dans des poubelles vertes suivant les endroits.

 Nos piles sont mises sur le marché dans le respect de la conformité légale. La poubelle barrée indique que les piles ne doivent pas être éliminées avec les déchets ménagers. Piles incluses dans le produit (données techniques). Afin d'éviter de polluer l'environnement ou de causer des dommages à la santé publique, les piles doivent être rapportées pour une élimination réglementée dans des points de recyclage locaux ou auprès de commerces de détail, comme stipulé par la loi. Les piles ne doivent être apportées pour être éliminées qu'une fois qu'elles sont entièrement déchargées et, dans le cas des piles au lithium, avec les terminaux recouverts d'un ruban adhésif. Les piles peuvent être facilement retirées de nos appareils pour en faciliter l'élimination. Numéro d'enregistrement en Allemagne : 21002670.

13. GARANTIE

Vos droits statutaires ne sont pas remis en cause par cette garantie du fabricant. Veuillez consulter www.chamberlain.eu pour connaître les conditions de la garantie.

14. DÉCLARATION DE CONFORMITÉ

Le manuel est composé des présentes instructions de fonctionnement et de la déclaration de conformité.

L'équipement radio de type (TX4REV-F) est conforme à la directive 2014/53/UE et, pour le Royaume-Uni, à la Radio Equipment Regulation SI 2017 No. 1209.

Le texte complet de la déclaration de conformité CE est disponible sur le site web suivant : <https://doc.chamberlain.de>

INHOUDSOPGAVE

OPMERKING:De originele installatie- en bedieningsinstructies zijn opgesteld in het Engels. Elke andere beschikbare taal is een vertaling van de originele Engelse versie.

1. VEILIGHEIDSINSTRUCTIES EN BEOOGD GEBRUIK	2
2. LEVERINGSOMVANG	4
3. TOOLS DIE NODIG ZIJN	4
4. OVERZICHT VAN POORTAANDRIJVING	4
5. MECHANISCHE INSTALLATIE	5
5.1 AFMETINGEN VAN POORT EN AANDRIJVING	5
5.2 Installeren grondplaat	5
5.3 Noodontgrendelingsmechanisme	5
5.4 Installeren motor op de grondplaat	6
5.5 Poortrek monteren	6
5.6 Voedingsbedrading	6
5.7 Positie eindschakelaar instellen	6
5.8 Toegang tot het bedieningspaneel en de motoraansluiting	7
6. BEDRADINGSSHEMA	8
7. PROGRAMMEREN	9
7.1 Display, programmeerknoppen en functie-instelling	9
7.2 Algemeen programmeringsoverzicht	9
7.3 Vleugelbeweging richting	10
7.4 Basisinstellingen	10
7.4.1 Applicatie-instellingen	10
7.4.2 Richting motorinstellingen	10
7.4.3 Beperkt leren	10
7.5 Stand-by modus	11
7.6 Programmeren en wissen van afstandsbedieningen, radioaccessoires en myQ-apparaten	12
7.7 Geavanceerde instellingen	13
7.7.1 Overzicht geavanceerde instellingen	13
7.7.2 Zenderinstellingen	13
7.7.3 Infrarood fotocellen instellingen	13
7.7.4 Invoerinstellingen	13
7.7.5 Gedeeltelijke opening	14
7.7.6 Timer om te sluiten	14
7.7.7 Omkeertijd na impact	14
7.7.8 E-vergrendeling/Magnetische vergrendeling instellingen	14
7.7.9 Knipperlicht instellingen	14
7.7.9a Vooraf knipperen	14
7.7.10 Speciale contactinstellingen	14
7.7.11 Startsnelheid in open en gesloten richtingen	15
7.7.12 Onderhoudsteller	15
7.8 Standaard fabrieksinstellingen	15
7.9 Beëindigen en verlaten	15
8. BATTERIJ BACK-UP	15
9. FOUTCODES	16
10. TECHNISCHE GEGEVENS	17
11. ONDERHOUD	18
12. AFVOEREN	18
13. GARANTIE	18
14. CONFORMITEITSVERKLARING	18

1. VEILIGHEIDSINSTRUCTIES EN BEOOGD GEBRUIK

Over deze handleiding - originele handleiding

Deze instructies zijn de originele bedieningsinstructies volgens de machinerichtlijn 2006/42 EC. De instructiehandleiding moet zorgvuldig worden gelezen om belangrijke productinformatie te begrijpen. Let op de veiligheids- en waarschuwingaanwijzingen. Bewaar de handleiding op een veilige plaats zodat u ze later kunt raadplegen en zodat iedereen ze kan raadplegen voor inspectie, service, onderhoud en reparatie. Geef na de installatie de volledige documentatie aan de verantwoordelijke persoon/eigenaar.

Kwalificatie van een bevoegd installateur

Alleen een correcte installatie en onderhoud door een bevoegd installateur (specialist)/bevoegd bedrijf, in overeenstemming met de instructies, moet de veilige en bedoelde werking van de installatie begrijpen en garanderen. Een specialist is een persoon die op grond van zijn technische opleiding en ervaring voldoende kennis heeft op het gebied van automatische poorten en die bovendien vertrouwd is met de desbetreffende nationale voorschriften inzake arbeidsveiligheid en met de algemeen aanvaarde regels van de techniek, en wel in zodanige mate dat hij ook in staat is de veilige werking van automatische poorten te beoordelen in overeenstemming met EN 13241, 12604, 12453 (EN12635)

De installateur moet het volgende begrijpen:

Voordat de aandrijving wordt geïnstalleerd, moet worden gecontroleerd of het aangedreven gedeelte in goede mechanische staat verkeert, goed opent en sluit en indien van toepassing, juist is uitgebalanceerd

Voor het eerste gebruik en ten minste jaarlijks moet een specialist de veilige staat van automatische poorten controleren. Na de installatie moet de installateur ervoor zorgen dat het mechanisme juist is afgesteld en dat het beveiligingssysteem en de eventuele handmatige release functie juist functioneren (EN 13241, EN12604, EN 12453, EN 12635). Een regelmatig onderhoud, inspectie moet worden uitgevoerd volgens de normen. De installateur moet andere gebruikers instrueren over de veilige bediening van het aandrijfsysteem.

Na succesvolle installatie van het aandrijfsysteem moet de verantwoordelijke installateur, in overeenstemming met de machinerichtlijn 2006/42/EG: conformiteitsverklaring voor het poortstelsel verdelen. De CE markeringslabel moet aan het poortstelsel worden bevestigd. Dit is ook verplicht bij het installatieproces achteraf van een handmatig bediende poort. Verder moeten een overdrachtspakket en een inspectieboek worden ingevuld.

Lees de bedieningsinstructies en vooral de voorzorgsmaatregelen. De volgende symbolen worden voor instructies geplaatst om persoonlijk letsel of schade aan eigendommen te voorkomen. Lees deze instructies zorgvuldig.

Waarschuwingssymbolen

Het algemene waarschuwingssymbool wijst op een gevaar dat kan leiden tot letsel of de dood. In het tekstgedeelte worden de algemene waarschuwingssymbolen gebruikt zoals hieronder beschreven.

GEVAARsymbool	WAARSCHUWINGssymbool	VOORZICHTIGHEIDssymbool	AANDACHTsymbool
 GEVAAR	 WAARSCHUWING	 VOORZICHTIGHEID	 AANDACHT
Duidt op een gevaar dat direct leidt tot de dood of ernstige letsels.	Duidt op een gevaar dat kan leiden tot de dood of ernstige letsels.	Duidt op een gevaar dat kan leiden tot beschadiging of vernietiging van het product.	Duidt op een gevaar dat kan leiden tot beschadiging of vernietiging van het product.

Beoogd gebruik

De draaipoortaanrijving is uitsluitend ontworpen en getest voor de bediening van soepel lopende draaipoorten in de residentiële, niet-commerciële sector.

Specificaties voor poorten zijn gedefinieerd onder mechanische vereisten conform EN12604.

De maximaal toelaatbare poortgrootte en het maximum gewicht mogen niet worden overschreden. De poort moet soepel met de hand openen en sluiten. Gebruik de aandrijving op poorten die voldoen aan de geldende normen en richtlijnen. Bij het gebruik van deur- of poortpanelen moet rekening worden gehouden met de regionale omstandigheden inzake windbelasting EN13241. Neem de specificaties van de fabrikant in acht voor de combinatie van deur en aandrijving. Mogelijke gevaren in de zin van de EN13241 moeten worden vermeden door de deur/poort te ontwerpen en te installeren volgens de relevante instructies. Dit poortmechanisme moet worden geïnstalleerd en aangedreven in overeenstemming met de geldende veiligheidsvoorschriften.

Oneigenlijk gebruik

Het is niet bedoeld voor continu aandrijving en gebruik in een commerciële toepassing.

De constructie van het aandrijfsysteem is niet ontworpen voor de aandrijving van poorten buiten de specificaties van de fabrikant.

Het is niet toegestaan op poorten die bewegen met stijging/daling.

Elk onjuist gebruik van het aandrijfsysteem kan het risico op ongevallen vergroten. De fabrikant aanvaardt geen aansprakelijkheid voor dergelijk gebruik. Met deze aandrijving moeten automatische poorten voldoen aan de momenteel geldende internationale en landspecifieke/lokale normen, richtlijnen en voorschriften (EN 13241, EN12604, EN 12453).

Alleen Chamberlain en goedgekeurde accessoires mogen op de aandrijving worden aangesloten. Onjuiste installatie en/of het niet in acht nemen van de volgende instructies kan leiden tot ernstig persoonlijk letsel of beschadiging van eigendommen.

Poortsystemen die zich in openbare ruimten bevinden en alleen krachtbegrenzing hebben, kunnen alleen onder volledig toezicht worden bediend.

Aanvullende veiligheidsvoorzieningen moeten worden overwogen in overeenstemming met de EN 12453.

1. VEILIGHEIDSINSTRUCTIES EN BEOOGD GEBRUIK

Tijdens de werking mag de poort in geen geval de openbare paden en wegen (openbaar gebied) hinderen.

Wees voorzichtig bij het gebruik van gereedschap en kleine onderdelen voor het installeren of uitvoeren van reparaties aan een poort en draag geen ringen, horloges of losse kleding.

Om ernstig lichamelijk letsel als gevolg van beknelling te voorkomen, moet elke op de poort gemonteerde vergrendeling worden verwijderd om schade aan de poort te voorkomen.

Installatie en bedrading moeten in overeenstemming zijn met de lokale bouw- en elektrische installatievoorschriften. Voedingskabels mogen alleen worden aangesloten op een juist geaarde voeding.

Schakel de elektrische stroom naar het systeem uit vóór installatie, onderhoud, reparaties of het verwijderen van afdekkingen. De netvoeding (permanent bedrade installatie) moet worden voorzien van een uitschakelinrichting die een alpolige uitschakeling garandeert (scheidingsschakelaar of afzonderlijke zekering). De reparaties en elektrische installaties mogen uitsluitend worden uitgevoerd door een erkende elektricien. De noodstopknop moet geïnstalleerd worden voor noodgevallen op basis van de risicobeoordeling.

Zorg ervoor dat beknelling tussen het aangedreven deel en de omringende vaste delen als gevolg van de openingsbeweging van het aangedreven deel wordt voorkomen door de opgegeven veiligheidsafstanden overeenkomstig de EN 13241, EN12604, EN 12453, EN 12635 en/of met veiligheidsvoorzieningen (bijv. sluitkantbeveiliging) in acht te nemen.

Aanbevolen wordt de veiligheidsfunctie van het aandrijfsysteem ten minste eenmaal per maand te testen. Raadpleeg ook de instructies van de fabrikant van de componenten van het poortsysteem.

Na de installatie moet een finale test van de volledige werking van het systeem en van de veiligheidsvoorzieningen worden uitgevoerd en moeten alle gebruikers worden geïnstrueerd over de werking en de bediening van de draaiportaanrijving.

Poortsystemen moeten voldoen aan de krachtbegrenzing in overeenstemming met de EN 12453, EN 60335-2-103.

Bij wijzigingen aan het systeem moet rekening worden gehouden met extra veiligheidsvoorzieningen (sluitkantbeveiliging,) in overeenstemming met de norm.

Het is belangrijk ervoor te zorgen dat de poort altijd soepel loopt. Poorten die blijven hangen of klemmen, moeten onmiddellijk worden gerepareerd. Neem een gekwalificeerde technicus in de arm om de poort te repareren, probeer het nooit zelf te doen. Dit apparaat is niet bedoeld voor gebruik door personen (inclusief kinderen) met beperkte fysieke, zintuiglijke of mentale vermogens of met gebrek aan ervaring of kennis, tenzij zij onder toezicht staan van een persoon die verantwoordelijk is voor hun veiligheid of instructies heeft gekregen over het gebruik van het apparaat. Indien nodig MOET controleapparatuur binnen het zicht van de poort en buiten het bereik van kinderen worden gemonteerd. Kinderen moeten onder toezicht staan om ervoor te zorgen dat ze niet met het apparaat spelen. Sta niet toe dat kinderen drukknop(pen) of afstandsbediening(en) bedienen. Verkeerd gebruik van het aandrijfsysteem van de poort kan ernstig letsel tot gevolg hebben.

De waarschuwingsborden moeten op duidelijk zichtbare plaatsen worden aangebracht.

De poortopener mag ALLEEN worden gebruikt als de gebruiker het hele poortgebied kan overzien en er zeker van is dat het vrij is van obstakels en dat de poortopener juist is ingesteld. Niemand mag door het poortgebied terwijl het in beweging is. Kinderen mogen niet in de buurt van de poort spelen.

De volledige bescherming tegen mogelijke verplettering of beknelling moet onmiddellijk werken wanneer de aandrijfarmen zijn geïnstalleerd.

Er kunnen bestaande gevaren zijn aan de mechanische, elektrische installatie of de sluitranden van de poort door pletten, stootpunten:

- Structurele storing, vleugel, scharnieren, bevestigingen, aanslagen, windbelasting
- Kreukel-, scharnierzone, onder de poort, veiligheidsafstand op vast voorwerp
- Elektrische storing (Controle - storingen in veiligheidssystemen)
- Impact, slagvlak, wachtstand, krachtbegrenzing, aanwezigheidsdetectie

Er moeten passende maatregelen worden genomen om de veilige werking van het poortsysteem volgens de normen te waarborgen.

Start nooit een beschadigde aandrijving op.

Gebruik de handmatige ontgrendeling alleen om de aandrijving te ontkoppelen en - indien mogelijk - ALLEEN wanneer de poort gesloten is. Bediening van de handmatige noodontgrendeling kan leiden tot ongecontroleerde bewegingen van de poort. De functie Timer-to-Close (TTC), de myQ Smartphone Control app, zijn voorbeelden van onbemande bediening van de poort.

Een apparaat of voorziening waarmee de poort kan worden gesloten zonder dat men zich in de gezichtslijn van de poort bevindt, wordt beschouwd als onbemand openen/sluiten. De functie Timer-to-Close (TTC), de myQ Smartphone Control en alle andere myQ-apparaten kunnen ALLEEN worden geactiveerd als er fotocellen van Chamberlains zijn geïnstalleerd (TTC werkt alleen in de sluitingsrichting). De poort mag alleen in de directe gezichtslijn naar de poort worden bediend.

BELANGRIJKE INFORMATIE!

- Deze procedure is ook vereist voor particuliere installaties (nieuw of achteraf ingebouwd in een handmatig bediende poort).
Deze installatie- en bedieningshandleiding moet door de gebruiker worden bewaard.
- De fabrikant aanvaardt geen aansprakelijkheid/garantieclaims die voortvloeien uit ander dan het bedoelde gebruik en gebruik na het verstrijken van de garantie.
- Het rechtsmiddel is de enige verantwoordelijkheid voor alle bijbehorende rechten.

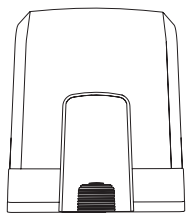
OPMERKING: Neem de installatie- en bedieningshandleiding in acht.

- Controleer altijd de werking van het systeem en verhelp de oorzaak onmiddellijk in geval van een storing.
- Voer een jaarlijkse inspectie van het systeem uit. Bel een specialist.
- De veiligheidsafstanden tussen de poortvleugel en de omgeving moeten worden gerespecteerd in overeenstemming met de desbetreffende normen.
- De aandrijving kan alleen worden geïnstalleerd op stabiele en stijve poortvleugels. De poortvleugels mogen bij het openen en sluiten niet doorbuigen of verdraaien.
- Zorg ervoor dat de scharnieren van de poortvleugel geïnstalleerd zijn en juist werken en geen obstakels creëren.
- Installatie van twee aandrijvingen op dezelfde deurvleugel is ten strengste verboden.
- Neem de overeenkomstige voorschriften van de lokale, nationale voorschriften in acht voor de naleving van de maatregelen ter bescherming van de menselijke gezondheid, die in acht moeten worden genomen bij contact met andere personen, waaronder werknemers, leveranciers en klanten (bijv. veiligheidsafstand, maskerplicht, enz.).
- Precieze informatie kan worden opgevraagd bij de lokale autoriteiten.

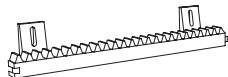
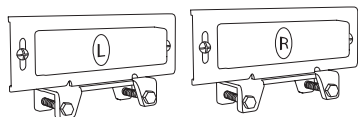
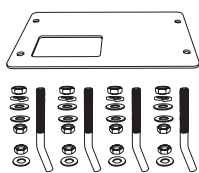


2. LEVERINGSOMVANG

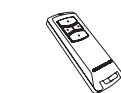
CHSL400EVC



Motoreenheid met bedieningspaneel



Rek (12x33 cm)



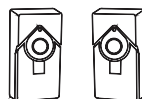
Afstandsbediening (2x)



Ontgrendelings sleutel (2x)

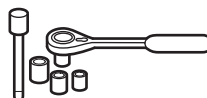
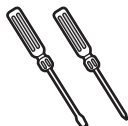
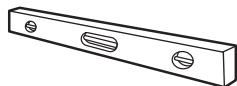
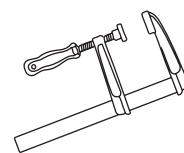
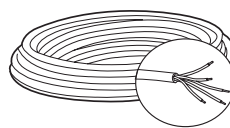
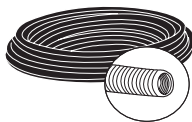
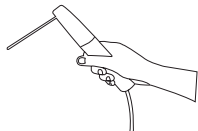
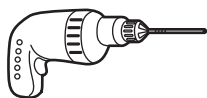
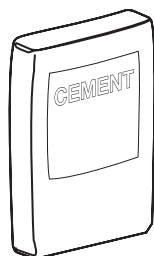


Installatiehandleiding



Fotocelbeveiliging

3. TOOLS DIE NODIG ZIJN

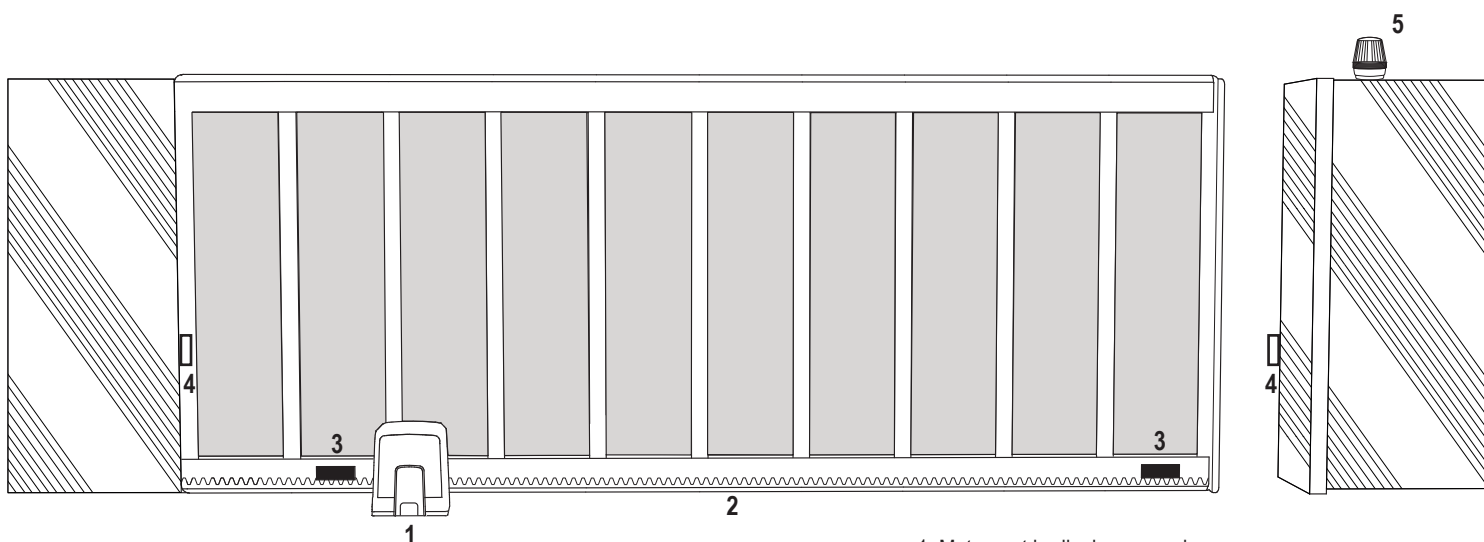


8, 13 mm



8, 13 mm

4. OVERZICHT VAN DE POORTAANDRIJVING



1. Motor met bedieningspaneel
2. Rek
3. Magneetbeugels
4. Infrarood fotocellen
5. Knipperlicht

5. MECHANISCHE INSTALLATIE

Hiermee begint u de mechanische installatie van de poortaanrijving.

5.1 Afmetingen van poort en aandrijving

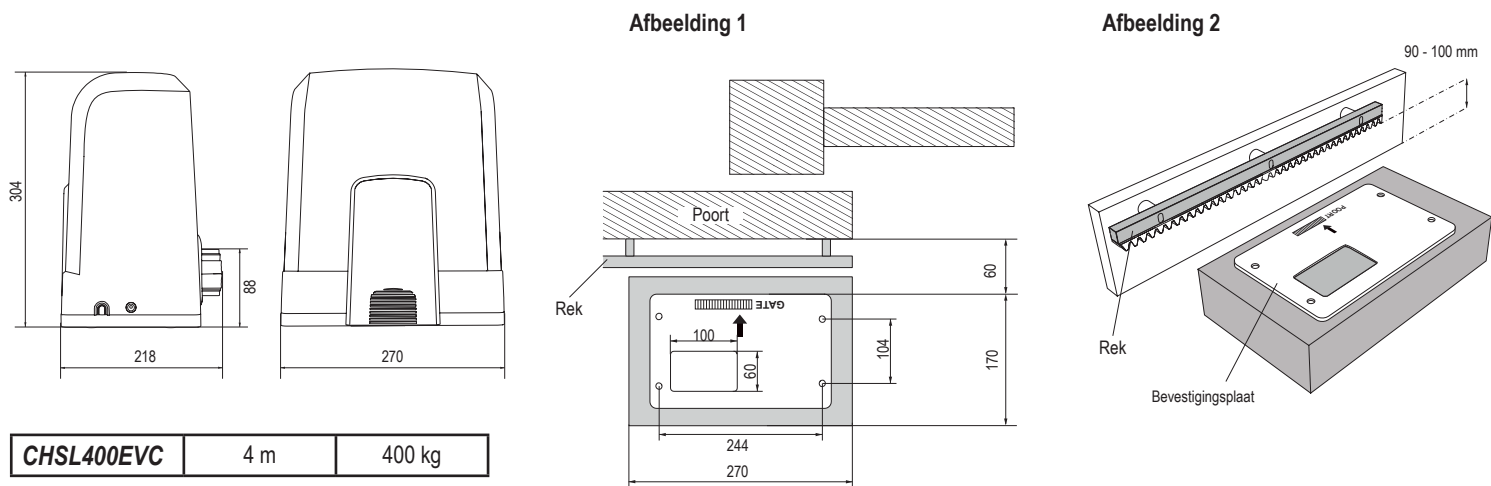
CHSL400EVC

Algemene informatie en voorwaarden voor de opstelling.

Voordat u de poortaanrijving installeert, moet u controleren of de poort soepel loopt. Het gewicht van de deur mag niet volledig op de motoras worden geplaatst. Zorg ervoor dat alle vereiste kabels (voedingskabel, accessoirekabels, enz.) voorbereid en juist gelegd zijn voordat de grondplaat in het beton wordt geplaatst.

OPMERKING:

Alle knelpunten moeten worden beveiligd met een beknellingsbeveiliging overeenkomstig de EU: EN 12453, EN 60335-2-103.

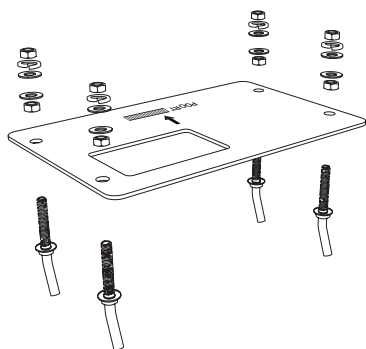


5.2 Installeren grondplaat

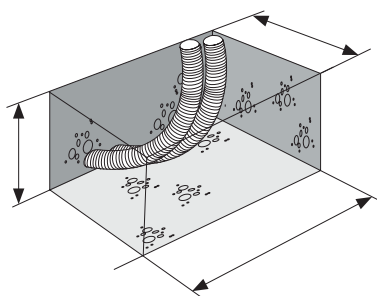
1. Neem de ankerschroef en zet een moer tot aan de onderkant van het loopvlak. Voeg een sluitring toe en steek hem vanaf de onderkant in de grondplaat. Zet van bovenaf vast met een tweede moer.
2. Herhaal dit voor de resterende 3 ankerschroeven (zie afbeelding 3).
3. Haal de voorbereide kabels (zie afbeelding 4) door het gat in de grondplaat.
4. Plaats de grondplaat in het voorbereide betonwerk. Zorg ervoor dat de plaat juist op de poort is geplaatst, rekening houdend met de vereiste ruimte tussen poort en rek (zie afbeelding 1). De pijl op de grondplaat moet in de richting van de poort wijzen. Lijn het basispalet uit en maak het betonwerk af.
5. Laat de betonsokkel ten minste 24 uur drogen alvorens verder te gaan (zie afbeelding 5).

OPMERKING: Wanneer u een grondplaat installeert, moet u ervoor zorgen dat de aandrijving later nog kan worden gemonteerd en indien nodig met de stelschroeven in positie kan worden gebracht.

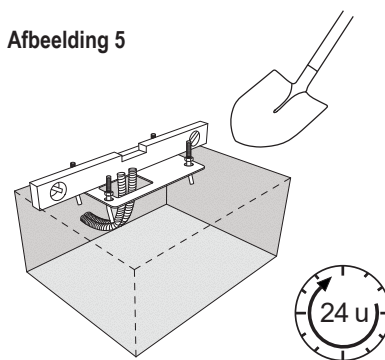
Afbeelding 3



Afbeelding 4



Afbeelding 5

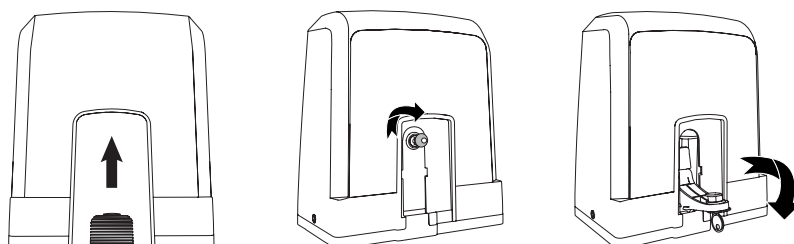


5.3 Noodontgrendelingsmechanisme

- Verwijder de kleine plastic afdekking aan de voorzijde van de aandrijving.
- Steek de sleutel in het sleutelgat en draai hem 90° naar rechts.
- Trek de hendel naar beneden.

Volg de procedure in omgekeerde volgorde om de aandrijving weer in te schakelen.

Afbeelding 6

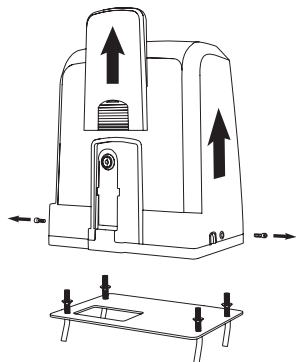


5. MECHANISCHE INSTALLATIE

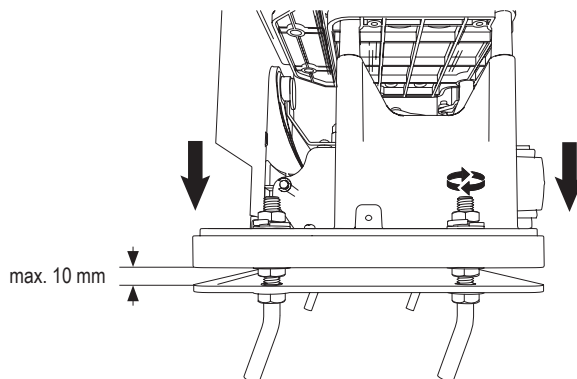
5.4 Installeren motor op de grondplaat

1. Zodra de grondplaat is bevestigd, moet de moer waarmee de grondplaat is vastgezet, ongeveer 5-10 mm naar boven worden gedraaid en moet een sluitring worden aangebracht.
2. Verwijder de kleine plastic afdekking aan de voorzijde van de aandrijving en maak een handmatige ontgrendeling door de sleutel in het sleutelgat te steken, naar rechts te draaien en de hendel naar beneden te trekken (zie pagina 5 Handmatige ontgrendeling).
3. Verwijder de 2 schroeven aan de zijkanten van de afdekking (zie afbeelding 7).
4. Verwijder de afdekking van de aandrijving en plaats de aandrijving op de grondplaat met behulp van de ankerschroeven en het gat in de behuizing van de aandrijving. Opmerking: er moet afstand zijn tussen de grondplaat en de aandrijvingsbehuizing (5-10 mm) om later de hoogte te kunnen aanpassen (zie afbeelding 8).
5. Voer de kabels door het respectievelijke gat in de bodem van de aandrijvingsbehuizing.
6. Draai de aandrijving vast met sluitring, veerring en moer, zoals afgebeeld in afbeelding 8.

Afbeelding 7



Afbeelding 8



5.5 Poortrek monteren

1. Zet de poort handmatig in de GESLOTEN positie.
2. Het stalen of nylon rek kan worden bevestigd door middel van lassen (alleen staal) of met schroeven (zie afbeelding 9). Plaats het eerste reksegment aan het uiteinde van de poort, zodat het aansluit op het aandrijftandwiel, zoals getoond in afbeelding 10, en bevestig het rek aan de poort. Verplaats vervolgens de poort en bevestig het volgende reksegment in de buurt van het vorige segment. Ga op deze manier door tot u de volledige OPEN positie bereikt.

Ga op deze manier door tot u de volledige OPEN positie bereikt.

OPMERKING: Zorg er te allen tijde voor dat het rek niet op het aandrijftandwiel ligt of er te veel afstand tot heeft.

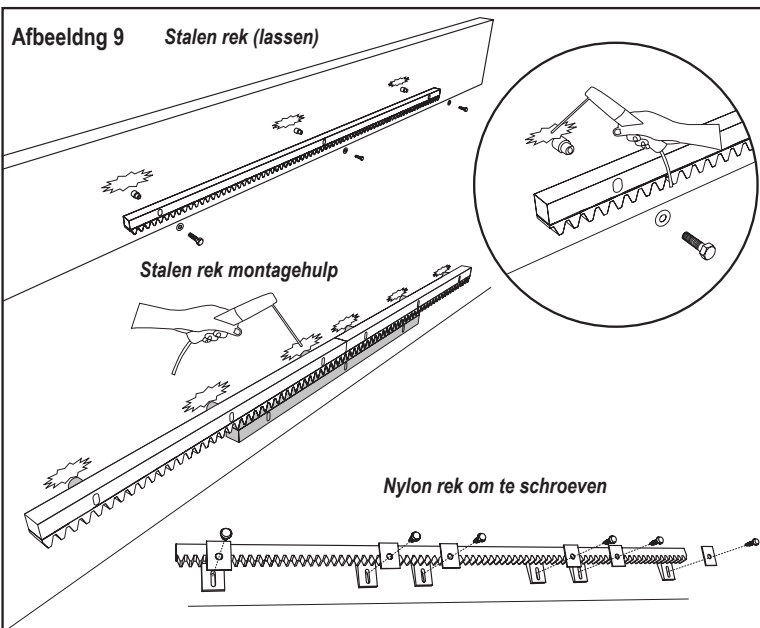
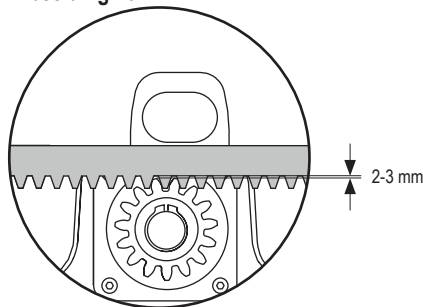
Voor de montage:

- Controleer of de vereiste inschroefdiepte beschikbaar is.
- Gebruik de bijgeleverde aansluitingselementen (schroeven) om de rekken te monteren.
- Bevestig het reksegment op de juiste plaats met behulp van de bijgeleverde schroeven.

OPMERKING:

Er moet rekening worden gehouden met het materiaaltype en de dikte op de montageplaats van het rek. De aandrijving moet ontkoppeld zijn.

Afbeelding 10



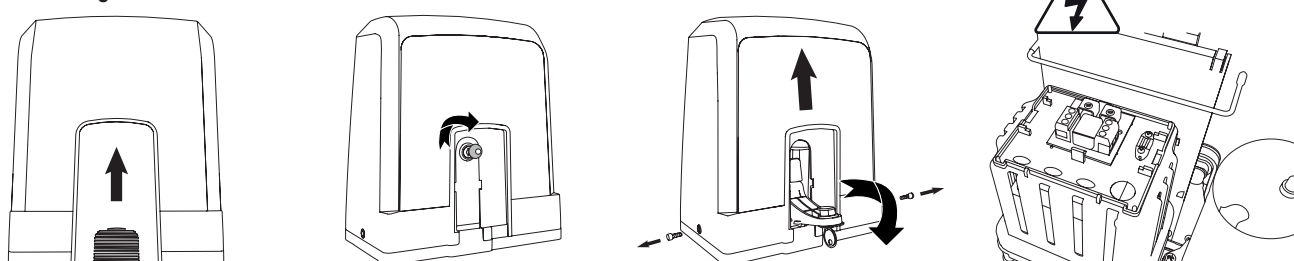
5.6 Voedingsbedrading



De bedrading van de netspanning moet worden uitgevoerd door een erkende electricien.

Om de netvoeding aan te sluiten, verwijdert u de afdekking van de aandrijving zoals hierboven beschreven.

Afbeelding 11



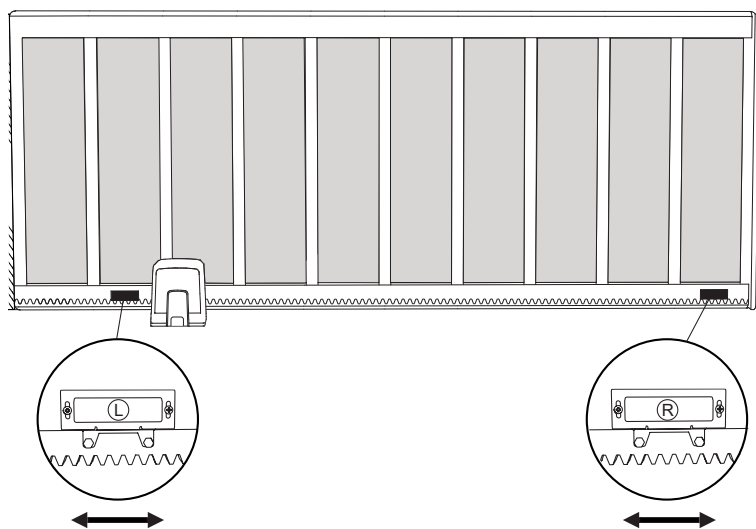
5. MECHANISCHE INSTALLATIE

5.7 Positie eindschakelaar instellen

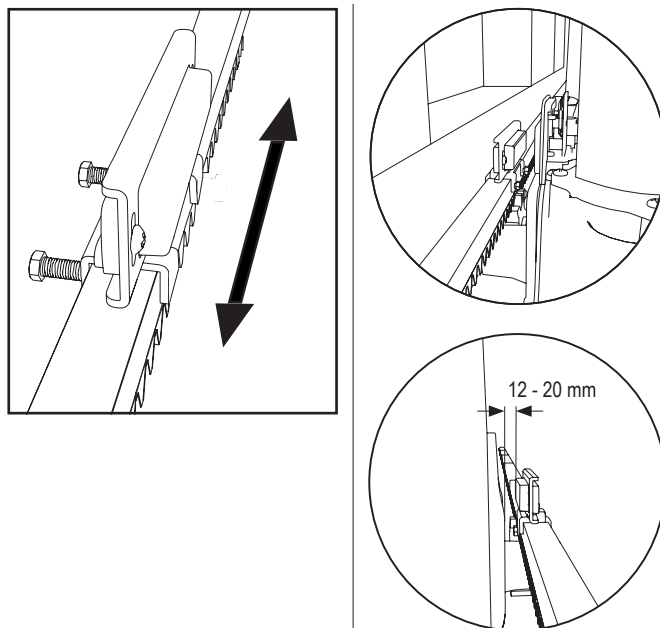
1. Zorg ervoor dat de aandrijving van stroom wordt voorzien.
2. Plaats de beugels met magneten aan de linker- en rechterkant van het rek op de plaats waar de eindposities worden aangenomen. De magneten zijn gemarkeerd met L voor links en R voor rechts en moeten rechts of links van de aandrijving worden geplaatst (zie afbeelding 12). De beugelposities kunnen worden aangepast door de beugel langs het rek te schuiven.
3. Met de handmatig ontgrendelde aandrijving beweegt u de poort in OPEN richting om de op de rekken bevestigde magneet te bereiken. Zorg ervoor dat de afmetingen tussen magneet en eindschakelaar behouden blijven (zie afbeelding 13).
4. Wanneer dit bereikt is, zal het gedeelte van het digitale segment rechtsboven op het display oplichten.
5. Pas zo nodig de positie van de magneet aan, controleer of de digitale bovenkant rechts aan staat en zet de schroeven van de magneetbeugel vast.
6. Herhaal dit in de richting GESLOTEN om de magneet te bereiken die op de positie gesloten aan de andere kant van de poort is bevestigd.
7. Wanneer dit bereikt is, zal het gedeelte van de rechter digitale onderzijde van de display oplichten.
8. Pas zo nodig de positie van de magneet aan, controleer of de digitale onderkant rechts aan staat en zet de schroeven van de magneetbeugel vast.
9. Schuif de poort in de middenpositie (tussen de grens openen en sluiten).

De operator is klaar voor de leerfase.

Afbeelding 12



Afbeelding 13

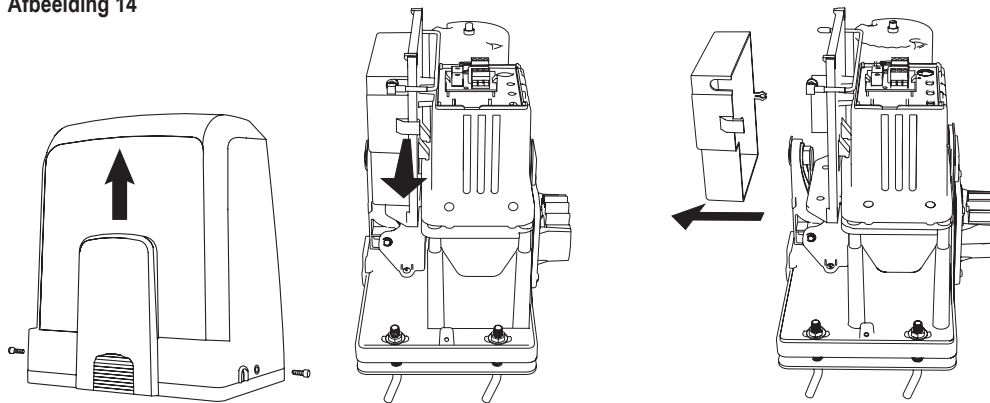


5.8 Toegang tot het bedieningspaneel en de motoraansluiting

- Het bedieningspaneel is al vooraf geïnstalleerd en vooraf bekabeld op de motoraansluiting. Geen extra actie vereist.

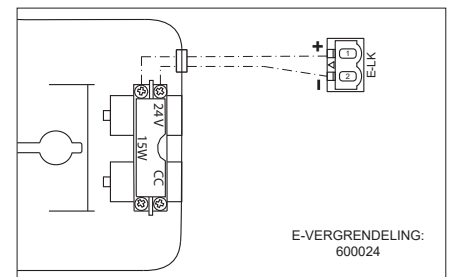
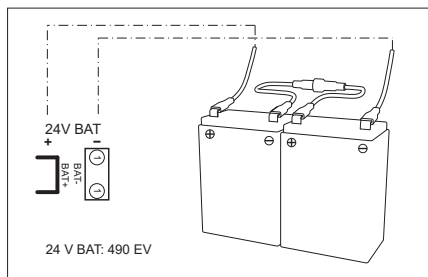
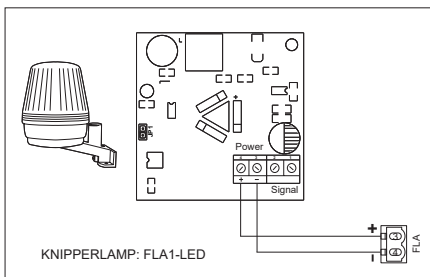
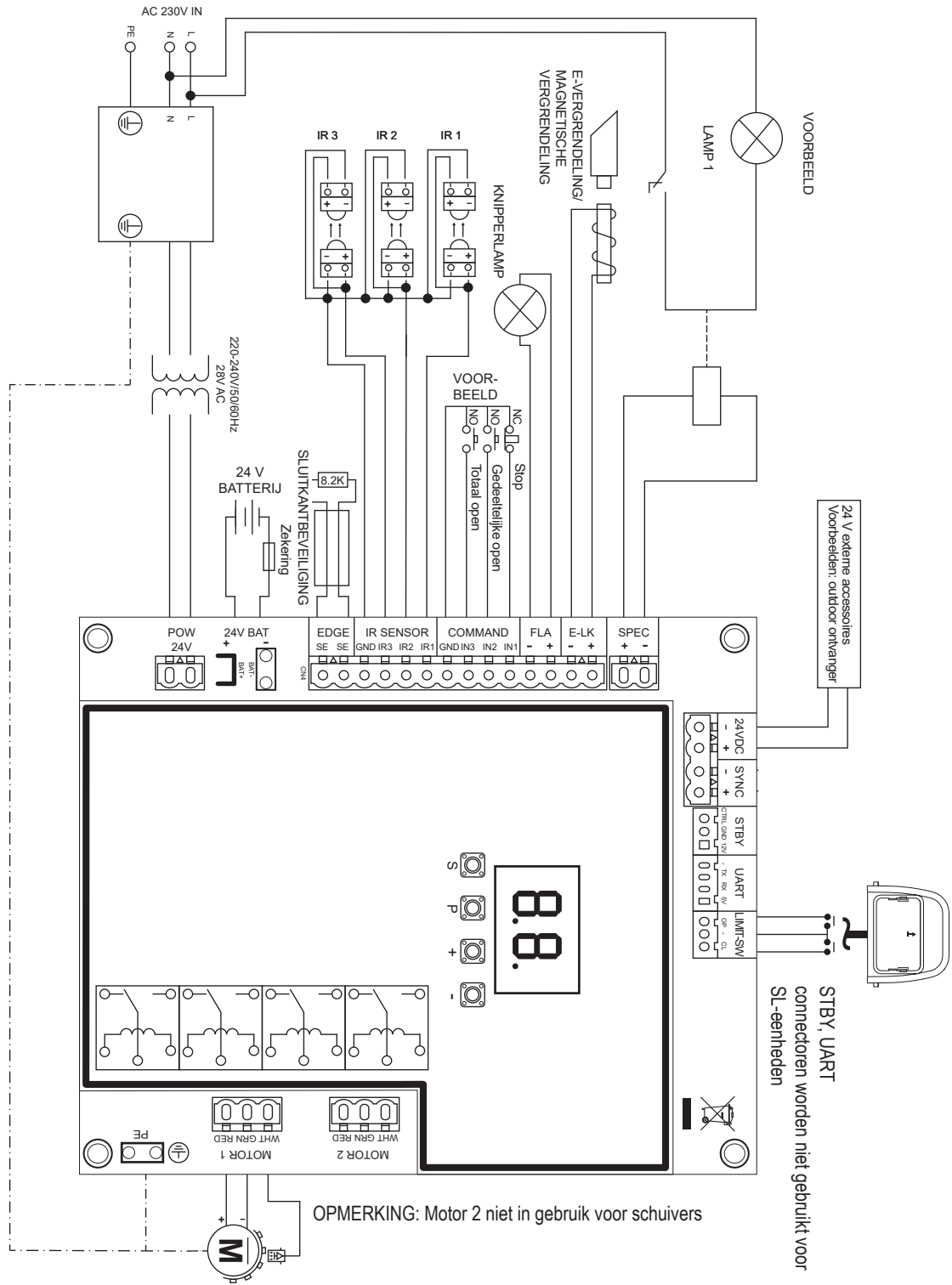
Om toegang te krijgen tot het bedieningspaneel moet de afdekking van de aandrijving worden verwijderd. De aansluitklemmen voor de bedrading van de accessoires zijn rechtstreeks toegankelijk. Om toegang te krijgen tot de programmeerknoppen, verwijdert u de doorzichtige plastic afdekking en plaatst u ze terug wanneer het programmeren klaar is.

Afbeelding 14



Gefeliciteerd! Hiermee is de mechanische installatie van uw poortaanrijving voltooid. Ga verder met programmeren en basisinstellingen om te kunnen beginnen met de bediening.

6. BEDRADINGSSCHEMA



7. PROGRAMMERING

7.1 Display, programmeerknoppen en functie-instelling

Functie programmeerknoppen (4 knoppen):

Knop	Functie
S	afstandsbedieningen en specifieke functies programmeren/wissen
P	programmeermodus openen, functie selecteren en opslaan
+/-	Navigeer door het menu en wijzig de waarde op het display

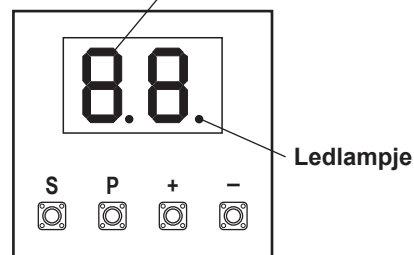
Functie en geprogrammeerde waarden worden op het led display weergegeven.

Functie-instelling - programmeermodus

Led display toont de volgende waarden nadat het bedieningspaneel is ingeschakeld:

--	Het bedieningspaneel is voorgeprogrammeerd op relevante toepassing (zie hieronder onder "toepassing" en "stand-by modus" voor statusbeschrijving).
E0	"E0", indien de bedieningspaneel nog niet is geprogrammeerd of gereset door de functie "fabrieksinstelling". Vanaf deze status zal een invoer van een zendercommando altijd genegeerd worden.

2-cijferig led display



7.2 Algemeen programmeringsoverzicht

Hiermee start u met de programmering van uw poortaanrijving.

De programmering is verdeeld in 2 secties:

1. Basisinstellingen (pagina 11)
2. Geavanceerde instellingen (pagina 14)

Nadat de basisinstellingen zijn voltooid, worden de volgende parameters automatisch geleerd tijdens de leerfase:

1. Reislengte van positie **VOLLEDIG GESLOTEN** tot **VOLLEDIG OPEN**.
2. Openings- en sluitingskracht voor elke motor.

OPMERKING:

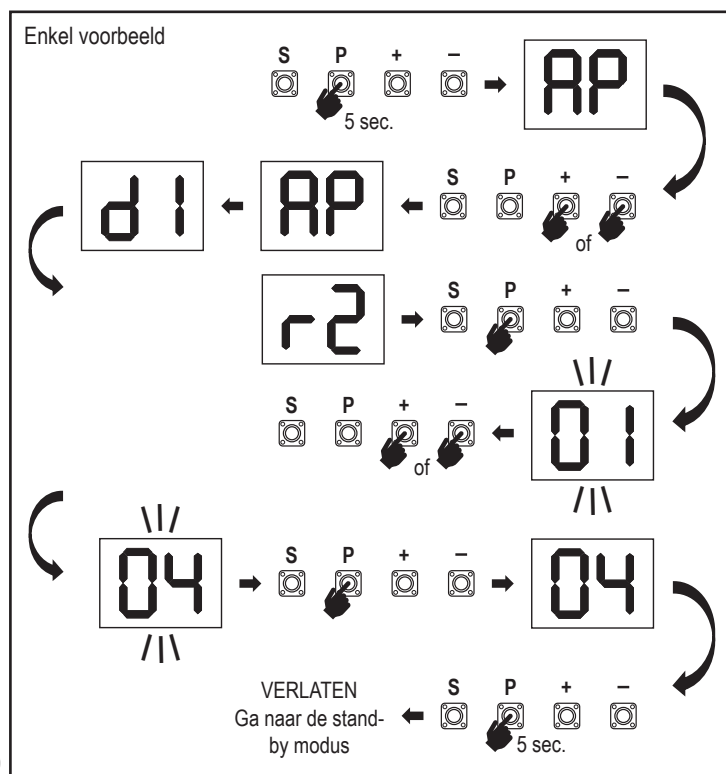
- De basisinstellingen en de leerfase moeten voltooid zijn om de bediening mogelijk te maken.
- Nadat de leerfase en de programmering zijn voltooid, werkt de aandrijving volgens de standaardinstellingen.
- Geavanceerde instellingen zijn niet toegankelijk als de basisinstellingen en de leerfase niet zijn voltooid.
- **Alvorens de programmering uit te voeren, moet u ervoor zorgen dat de desbetreffende veiligheidsvoorzieningen zijn aangesloten.**

Algemene opstelling:

1. Houd de knop "P" gedurende 5 seconden ingedrukt om het menu te openen. "AP" op het display geeft de eerste beschikbare functie in het menu aan.
2. Gebruik de knoppen "+" en "-" om tussen de functies te navigeren.
3. Druk op de knop "P" om de gewenste functie te selecteren.
4. De standaardinstelling of de eerder geprogrammeerde waarde verschijnt. Dit wordt aangegeven door het knipperen van de waarde op het display.
5. Gebruik de knoppen "+" of "-" om de gewenste waarde te selecteren. Druk op de knop "P" om de selectie te bevestigen.
6. De geprogrammeerde functie wordt op het display weergegeven.
7. Om de instelling van een andere functie te wijzigen, herhaalt u de volgorde van de punten #2 tot #6
8. Om naar het functiemenu te gaan, drukt u op de knop "P" gedurende 5 seconden, waarna de kaart in stand-by modus gaat.

Indien de knop "P" niet wordt ingedrukt om de nieuwe waarde-instelling te bevestigen, zullen de nieuwe instellingen na 3 minuten worden opgeslagen en zal de programmering het menu verlaten en terugkeren in stand-by modus.

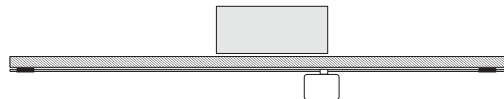
OPMERKING: Om de poort te bedienen of een commando uit te voeren, moet het instelmenu worden afgesloten door de knop "P" gedurende 5 seconden in te drukken, of door de functie FE te selecteren, of door 3 minuten te wachten voor automatisch verlaten en terugkeren in stand-by modus.



7. PROGRAMMERING

7.3 Vleugelbeweging richting

Zet de poort vóór het programmeren handmatig in de middenstand en schakel de ontgrendeling weer in (zie pagina 6). Houd de knop "-" op het bedieningspaneel ingedrukt en zorg ervoor dat de motor in de richting **SLUITEN** beweegt. Indien correct, laat onmiddellijk de knop "-" los en de poort stopt.



Als de motor in de richting **OPENEN** beweegt, ga dan naar de functies "d1" en wijzig de richtinginstellingen.

Zodra de richting **SLUITEN** correct is ingesteld, laat u de poort in de middenstand staan. De operator is klaar voor de leerfase.

Opmerking: indien nodig kan de poort vóór de definitieve instellingen worden verplaatst met de knoppen "+" en "-".

Houd de knop "+" op het bedieningspaneel ingedrukt om de poort in de stand **OPENEN** te zetten. Als de knop wordt losgelaten, stopt de aandrijving.

Houd de knop "-" op het bedieningspaneel ingedrukt om de poort in de stand **SLUITEN** te zetten. Als de knop wordt losgelaten, stopt de aandrijving.

7.4 Basisinstellingen

Basisinstellingen overzicht

LED		Functie
		Basisinstellingen (verplicht)
	AP	Toepassing
	d1	Richting motor 1
	LL	Beperkte leerfase

7.4.1 Applicatie-instellingen

Toepassingsfunctie weergegeven op het display.

Deze functie is reeds in de fabriek ingesteld op de juiste waarde zoals gedefinieerd voor de geleverde aandrijving.



	Schuifpoort, CHSL400
--	----------------------

Meer instellingen beschikbaar op aanvraag:

	Geen toepassing geselecteerd
--	------------------------------

De waarden 02-05 zijn niet geschikt voor CHSL-toepassingen en mogen niet worden gekozen

7.4.2 Richting motorinstellingen



Richting motorfunctie weergegeven op het display

Bepaalt de bewegingsrichting van de motor.

	De motor is geïnstalleerd aan de linkerkant (standaard).
	De motor is geïnstalleerd aan de rechterkant .

7.4.3. Beperkt leren



Voordat met de beperkte leerfase kan worden begonnen, moet het leren van de eindpositie worden voorbereid zoals beschreven in het hoofdstuk instellen eindpositie-schakelaar.

Zorg ervoor dat de limietposities gecontroleerd zijn en dat de deur in de middenstand staat om de beperkte leerfase te starten.

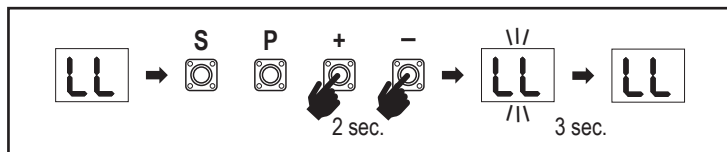
Alvorens een leerfase te beginnen, zorg ervoor dat:

1. Andere basisinstellingen zijn voltooid
2. De magneten zijn geïnstalleerd en juist werken
3. De eerste beweging zal in de richting **SLUITEN** zijn.

Beschikbare leermethoden:

Standaard leermodus (Automatisch)

1. OPEN het LL-menu.
2. Houd de knoppen "+" en "-" gedurende 2 seconden ingedrukt.
3. Het automatische leerproces start. LL zal op het display knipperen gedurende het gehele proces.
4. De poort beweegt in de richting **SLUITEN** totdat de eindschakelaar **SLUITEN** wordt bereikt, en stopt dan gedurende 2 seconden, waarna de poort in de richting **OPENEN** beweegt.
5. De poort beweegt in de richting **OPENEN** totdat de open-eindschakelaar wordt bereikt.
6. De poort beweegt in de richting **SLUITEN** totdat de gesloten-eindschakelaar wordt bereikt en stopt.
7. De standaard leerfase is voltooid. L zal op het display verschijnen en het bord zal na 3 seconden terugkeren in de stand-by modus.



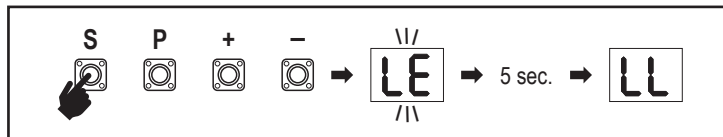
De volgende instellingen worden uitgevoerd in de standaard leermodus:

1. Reis lengte van positie **VOLLEDIG GESLOTEN** tot **VOLLEDIG OPEN**.
2. Openings- en sluitingskracht.
3. 60 cm slag in beide richtingen is toegewezen voor de soft-stop.

7. PROGRAMMERING

OPMERKING: Om de leerfase te stoppen, drukt u op de knop "S". Het leerproces wordt onderbroken, "LE" knippert op het led display. Na 5 seconden verschijnt "LL" op het display om aan te geven dat u klaar bent om de leerfase opnieuw te starten. Als het leerproces niet is voltooid, moet het opnieuw worden uitgevoerd.

AANDACHT: De leerfase moet voltooid zijn om te kunnen werken.



7.5 Stand-by modus

Nadat het bedieningspaneel is ingeschakeld en de programmering is voltooid, licht het led display gedurende 2 seconden volledig op en gaat het dan in stand-by modus. In de stand-by modus geeft het led display de huidige poortstatus weer.

	Eén motor
De motor opent, bovenste sectie van het display knippert.	
De motor stopt bij de openingspositie op de eindschakelaar, bovenste sectie van het display is aan.	
De motor sluit, onderste sectie van het display knippert.	
De motor stopt bij de sluitingspositie op de eindschakelaar, onderste sectie van het display is aan.	
De motor stopt in het midden, midden van het display is aan.	

Hiermee zijn de basisinstellingen voltooid. U kunt de programmering verlaten en uw poort bedienen of verder gaan met geavanceerde instellingen.

7. PROGRAMMERING

7.6 Programmeren en wissen van afstandsbedieningen, radioaccessoires en myQ-apparaten

Programmeer afstandsbedieningen (zenders en draadloze muurbedieningen):

OPMERKING: de afstandsbedieningen die bij de aandrijving worden geleverd, zijn in de fabriek al voorgeleerd aan de aandrijving (bovenste knop in de buurt van de led) en hoeven niet extra te worden geprogrammeerd.

1. Druk op "S" en laat de knop los. Er gaat een ledlampje branden op het display. De aandrijving blijft gedurende 3 minuten in de radioprogrammeermodus. Elk radio-accessoireapparaat kan binnen de eerste 30 seconden worden geleerd. Gedurende de resterende 2,5 minuut kunnen alleen myQ-apparaten worden geleerd.
 2. Kies de gewenste knop op uw zender en houd deze ingedrukt totdat de stip in het display uitgaat.
- Druk op "S" om de radioprogrammeermodus te verlaten.

Om een draadloos toetsenbord te programmeren, volgt u de respectievelijke handleiding van het accessoire.

Programmeren zender in gedeeltelijke opening

Houd tegelijkertijd de knoppen "S" en "+" ingedrukt, totdat het ledlampje begint te knipperen. Houd de gewenste vrije knop op de zender ingedrukt om de gedeeltelijke openingsmodus te programmeren.

Het ledlampje gaat uit wanneer de programmering is voltooid. Als er een lampje is aangesloten op het SPEC-contact, knippert het één keer.

Programmeer de myQ-poort (830REV-01):

1. Aansluiten

Sluit de bij de gateway geleverde ethernetkabel (1) aan op de router (2). Gebruik de voor uw land geldige stekker (niet alle modellen). Sluit de stroom (3) aan op de internet gateway (4). Wanneer de internetpoort verbinding maakt met het internet, stopt het groene lampje (5) met knipperen en gaat het continu branden. Een aangesloten set IR's is verplicht voor de myQ-werking.

2. Creëer een account

Download de gratis myQ-app uit de App Store of Google Play Store en creëer een account. Als u al een account heeft, gebruik dan uw gebruikersnaam en wachtwoord.

3. Registreer de myQ-internet gateway

Voer het serienummer in dat zich onderaan de internet gateway bevindt wanneer hierom wordt gevraagd.

4. Voeg myQ-apparaten toe

Om uw poortaanrijving aan de geregistreerde gateway toe te voegen, volgt u de instructies op de app. Bij het toevoegen van een nieuwe myQ-poortaanrijving drukt u kort op de knop "S" op het bedieningspaneel van de aandrijving. Op het display van het display van het bedieningspaneel gaat een ledlampje branden.

Opmerking: Nadat u een apparaat hebt toegevoegd, verschijnt het blauwe lampje op de internet gateway en blijft branden. Druk op de knop "S" op het bedieningspaneel van de aandrijving om de radioprogrammeermodus te verlaten.

5. Testen

Na de juiste installatie en registratie kunt u nu de volgende functies testen: poort openen of sluiten, status POORT OPENEN of POORT SLUITEN opvragen.

Voor meer functies zie www.chamberlain.eu

Wissen van radiobedieningsapparatuur (zenders, draadloze wandbedieningen, draadloze toetsenborden):

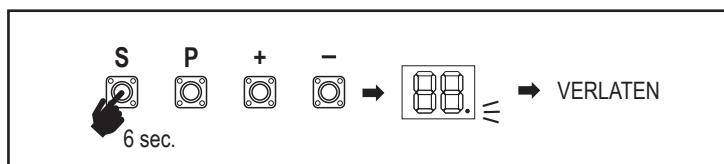
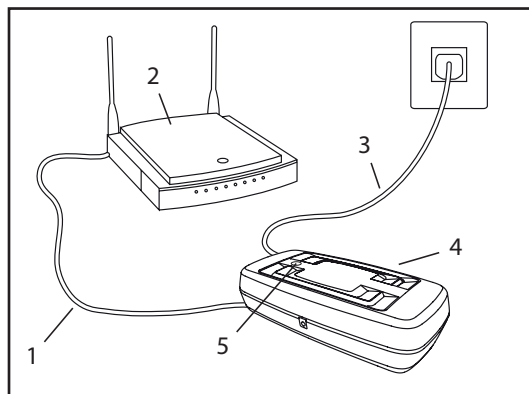
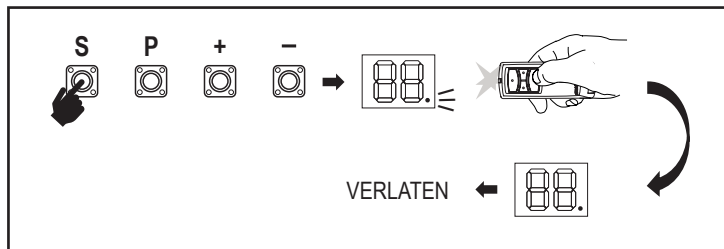
Houd de knop "S" gedurende > 6 seconden ingedrukt. Alle radiobedieningsapparatuur (zenders, wandzenders, toetsenborden) worden gewist. Het ledlampje in het display gaat uit.

Opmerking: Het is niet mogelijk radiobedieningsapparatuur individueel te wissen.

Wis myQ-apparaten:

1. Wis eerst de afstandsbedieningen zoals hierboven aangegeven.
2. Houd binnen de volgende 6 seconden de knop "S" ingedrukt. Er gaat een ledlampje branden op het display.
3. Houd de knop "S" gedurende > 6 seconden ingedrukt. Alle myQ-apparaten zijn gewist. Het ledlampje in het display gaat uit.

OPMERKING: Het is niet mogelijk myQ-apparaten individueel te wissen. Het is niet mogelijk myQ-apparaten alleen te wissen.



7. PROGRAMMERING

7.7 Geavanceerde instellingen

Hiermee start u bij geavanceerde instellingen.

7.7.1 Overzicht geavanceerde instellingen

LED		Functie
	tr	Zender
	r1	IR1-fotocel
	r2	IR2-fotocel
	r3	IR3-fotocel
	i1	Invoer 1 commando
	i2	Invoer 2 commando
	i3	Invoer 3 commando
	Pd	Gedeeltelijke opening
	tC	Timer om te sluiten (TTC)
	rt	Omkeertijd na impact
	EL	E-vergrendeling

LED		Functie
	FL	Knipperlamp
	PF	Vooraf knipperen
	SP	Speciale contact
	St	STARTsnelheid in OPENEN en SLUITEN
	Cn	Onderhoudsteller
	Fd	Standaard fabrieksinstellingen
	FE	Beëindigen en verlaten

7.7.2 Zenderinstellingen

De zenderfunctie bepaalt hoe de commando's van de zender werken.

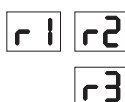
Opmerking: Onder de instellingen "01", "02" en "03" wordt de TTC-timer overbrugd door een commando van de zender en zal de poort SLUITEN. Onder instelling "04" wordt het aftellen van de actieve TTC-timer opnieuw ingesteld door het zendercommando.



	Residentiële modus: Openen – Sluiten – Openen
	Standaard modus: Openen – Stop – Sluiten – Stop – Openen (standaard)
	Automatisch met stopmodus: Openen – Stop – Sluiten – Openen
	Parkeermodus voor auto: Openen, tot volledig geopende positie. Extra commando's gedurende de opening worden genegeerd

	IR actief bij beweging SLUITEN. Als de IR-straal wordt geblokkeerd, keert de poort om in de positie volledig OPENEN (standaard).
	IR actief bij beweging OPENEN. Als de IR-straal wordt geblokkeerd, stopt de poort. Wanneer de blokkering verdwijnt, gaat de poort verder OPENEN.
	IR is actief bij beweging OPENEN en SLUITEN. Als de IR-straal wordt geblokkeerd tijdens de beweging SLUITEN, stopt de poort en nadat de blokkering is verdwenen, keert de poort terug in de positie volledig OPENEN. Als de IR-straal wordt geblokkeerd bij een beweging OPENEN, stopt de poort. Wanneer de blokkering verdwijnt, gaat de poort verder OPENEN.
	IR actief bij beweging SLUITEN. Als de IR-straal wordt geblokkeerd, keert de poort om in de positie volledig OPENEN. De geactiveerde TTC-functie wordt overbrugd 2 seconden na de blokkering van de lichtbundel opgeheven en start de beweging SLUITEN, zonder te wachten tot de TTC-tijd is afgelopen.

7.7.3 Infrarood fotocellen instellingen



IR-functies bepalen de werkingsmodus van infrarood fotocellen (IR).

IR's worden automatisch geleerd bij installatie.

Elk van de 3 IR's kan afzonderlijk worden geprogrammeerd.

OPMERKING: Afhankelijk van de gekozen instellingen zullen de gedeeltelijke openingsinvoeren of afstandsbedieningscommando's niet worden uitgevoerd in zowel de richting OPENEN als SLUITEN als de IR-straal wordt geblokkeerd.

Als de IR's zijn verwijderd, moet de voeding van het bedieningspaneel twee keer UIT/AAN worden geschakeld om af te leren.

Voor controle en onderhoud van de fotocellen, zie de handleiding van de fotocellen.

7.7.4 Invoerinstellingen



De invoerfunctie bepaalt de manier waarop invoercommando's van externe accessoires worden uitgevoerd. Elk van de 3 invoeren kan afzonderlijk worden geprogrammeerd.

OPMERKING: Onder de instellingen "01", "02" en "03" wordt de TTC-timer overbrugd door een invoercommando en zal de poort SLUITEN. Onder instelling "06" wordt het aftellen van de actieve TTC-timer opnieuw ingesteld om opnieuw te starten door een invoercommando

7. PROGRAMMERING

01	Openen – Sluiten – Openen
02	Openen – Stop – Sluiten – Stop – Openen (standaard)
03	Openen – Stop – Sluiten – Openen
04	Gedeeltelijke opening
05	STOP (NC-contact)

7.7.5 Gedeeltelijke opening

Pd

Gedeeltelijke opening geeft u de mogelijkheid om de actieve vleugel slechts tot een vooraf ingestelde waarde te openen.

OPMERKING: Pd-commando zal werken vanaf de eindpositie sluiten en gedurende de beweging sluiten. Als een Pd-commando wordt uitgevoerd vanuit een positie volledig OPENEN, zal de poort sluiten.

Een open- of zendercommando zal altijd het Pd-commando overbruggen.

01	Openingsslag van 1,5 m
02	Openingsslag van 2 m (standaard)
03	Openingsslag van 3 m

Programmeren zender in gedeeltelijke opening

1. Houd de knoppen "S" en "+" op het bedieningspaneel gelijktijdig ingedrukt, totdat het ledlampje begint te knipperen.
2. Houd de gewenste vrije knop op de zender ingedrukt om de gedeeltelijke openingsmodus te programmeren.
3. Het ledlampje gaat uit wanneer de programmering is voltooid. Als er een lampje is aangesloten op het SPEC-contact, knippert het één keer.

7.7.6 Timer om te sluiten

TC

De functie "Timer om te sluiten" (TTC) maakt het mogelijk de poort automatisch te sluiten vanuit een positie volledig OPENEN na een vooraf ingestelde tijdsperiode. Minimaal één paar infrarood fotocellen (IR) van Chamberlain moet worden geïnstalleerd om de beweging sluiten te bewaken om TTC-bediening mogelijk te maken. TTC zal niet werken als IR alleen de beweging openen beschermt. TTC zal ook werken met geactiveerde gedeeltelijke opening. Als de TTC-functie actief is, de timer aan het aftellen is en de IR-stralen worden onderbroken, zal de TTC-timer opnieuw starten.

00	TTC niet actief (standaard)	05	1 minuut
01	10 seconden	06	1,5 minuten
02	20 seconden	07	2 minuten
03	30 seconden	08	3 minuten
04	45 seconden	09	5 minuten

7.7.7 Omkeertijd na impact

rt

De functie omkeertijd na botsing definieert het omkeergedrag na hindernisbelemmering tijdens de sluit- of openingsbeweging. Dit omkeergedrag geldt zowel voor de detectie van de motorkracht als voor de toepassing van de sluitkantbeveiliging.

01	2 seconden omkering en stop
02	Omkering terug naar de eindpositie (standaard)
03	Gedurende de beweging sluiten, keert de poort bij een impact om naar de positie openen. Gedurende de beweging openen, bij impact keert de poort gedurende 2 seconden om en stopt

7.7.8 E-vergrendeling/Magnetische vergrendeling instellingen

EL

De functie E-vergrendeling bepaalt het gedrag e-vergrendeling/magnetische vergrendeling.

24 V DC – 500 mA e-vergrendeling of magnetische vergrendeling kunnen worden aangesloten.

00	e-vergrendeling/magnetische vergrendeling niet geïnstalleerd (standaard)
01	e-vergrendeling actief gedurende 1 seconde voorafgaand aan motor start in de richting openen
02	e-vergrendeling actief gedurende 2 seconden voorafgaand aan motor start in de richting openen
03	Magnetische vergrendeling, constant actief bij poort GESLOTEN; constant inactief bij beweging OPENEN en SLUITEN, positie OPENEN of STOP van de poort. De magnetische vergrendeling wordt gedeactiveerd in batterij back-up modus.

7.7.9 Knipperlicht instellingen

FL

Met de knipperlichtfunctie kan worden gekozen welk type knipperlicht is aangesloten. 24 V DC- max 500 mA knipperlicht (FLA1-LED) kan worden aangesloten.

00	geen knipperlicht geïnstalleerd (standaard)
01	continue 24 V voeding - voor knipperlicht met eigen bedieningspaneel (FLA1-LED)
02	onderbroken 24 V voeding - voor knipperlicht zonder eigen bedieningspaneel

7.7.9a Vooraf knipperen

PF

Het vooraf knipperen bepaalt het tijdsinterval van het vooraf knipperen van het knipperlicht vóór de poortbeweging. Functie niet actief indien de functie knipperlicht (FL) op "00" staat.

00	Geen vooraf knipperen (standaard)	03	3 seconden
01	1 seconde	04	4 seconden
02	2 seconden	05	5 seconden

7.7.10 Speciale contactinstellingen

SP

De speciale contactfunctie bepaalt de activeringstijd van het relais. Een 24 V max. 500 mA relais kan worden aangesloten om andere apparaten te beheren, bijv. een courtesy light. De hier ingestelde tijd regelt ook het aftellen van de myQ-lamp voor de afstandsbediening.

00	geen activatie (standaard)	05	1,5 minuten
01	15 seconden	06	2 minuten
02	30 seconden	07	3 minuten
03	45 seconden	08	4 minuten
04	1 minuut	09	5 minuten

7. PROGRAMMERING

7.7.11 Startsnelheid in open en gesloten richtingen

St

Met de functie startsnelheid kan de soft-start in de richtingen OPENEN en SLUITEN worden IN- en UITgeschakeld.

00	gedeactiveerd (standaard)
01	Soft-start actief: de motor zal geleidelijk versnellen tot hij de standaardsnelheid bereikt.

7.7.12 Onderhoudsteller

Cn

Met de functie onderhoudsteller kan het onderhoudsinterval in cycli worden ingesteld. Het 4 seconden vooraf knipperen van het knipperlicht is een signaal dat het interval is bereikt. Als de PF-functie (vooraf knipperen) actief is, wordt er 4 seconden vooraf knipperen aan de ingestelde tijd toegevoegd. Om de teller te resetten nadat het onderhoud is uitgevoerd, volstaat het de cycli nog een keer te programmeren.

00	geen teller (standaard)	02	2.000 cycli
01	1.000 cycli cycli
		20	20.000 cycli

7.8 Standaard fabrieksinstellingen

Fd

Met de fabrieksinstelling wordt de besturingskaart gereset naar de oorspronkelijke fabrieksinstellingen. Alle instellingen, inclusief de limietinstellingen, worden gewist. Het led display zal "E0" weergeven. Geprogrammeerde afstandsbedieningen zullen geleerd blijven. Als accessoires van de afstandsbediening moeten worden gewist, raadpleeg dan de sectie over de programmering van de afstandsbediening in deze handleiding.

00	geen reset (standaard)
01	Resetten naar standaard fabrieksinstellingen

7.9 Beëindigen en verlaten

FE

Om de programmeerfase te verlaten en alle wijzigingen op te slaan, gaat u naar de FE-functie en drukt u op de knop "P". Het bedieningspaneel gaat in de stand-by modus en is klaar om te werken.

Er zijn ook andere manieren om de programmering te verlaten en de instellingen op te slaan:

- Houd de knop "P" gedurende > 5 seconden ingedrukt
- Wacht 3 minuten na de laatste wijzigingen in de programmering voor automatisch verlaten

8. BATTERIJBACK-UP

Batterijback-upmodus (BBU) **bU**

Optionele 12 V, 2,2 Ah loodbatterijen SKU 490EV (optioneel, niet inbegrepen) kunnen in de behuizing van de aandrijving worden gemonteerd.

Volg de handleiding van SKU nr 490EV voor de exacte installatieprocedure.

Een knipperlicht (indien gemonteerd) knippert 2 seconden om de 10 minuten om de BBU-modus en stroomverlies aan te geven. Het bedieningspaneel schakelt over naar stand-by modus met actieve radiobedieningsapparatuur die alleen commando's van radiobedieningsapparatuur accepteert. Alle andere accessoires en randapparatuur zullen niet functioneren. Als de batterijback-upmodus is ingeschakeld, zijn de bediening van de myQ-smartphone en draadloze myQ-apparaten uitgeschakeld. Een volledig opgeladen batterij kan tot ~20 cycli aan met een snelheid van 2 per uur. Na 24 uur BBU-modus moet de batterij stroom leveren voor 1 volledige openings- en sluitingscyclus.

Let erop dat alleen de gespecificeerde batterij kan worden gebruikt. Gebruik van een andere batterij leidt tot verlies van garantie en verlies van aansprakelijkheid van Chamberlain voor eventuele gerelateerde schade als gevolg van het gebruik van niet-gespecificeerde batterijen.

9. FOUTCODES

LED	Foutcode	Probleem	Mogelijke reden	Oplossing
E0	E0	Druk op de zender, maar geen poortbeweging.	AP is ingesteld op 00	Controleer of AP is ingesteld op 00. Indien ja, wijzig dan de juiste applicatie-instelling.
E1	E1	Poort kan niet sluiten, maar kan openen.	1) IR1 is niet aangesloten, of de draad is afgesneden.	1) Controleer of IR1 niet is aangesloten, of de draad is afgesneden.
			2) IR1 draad is kortgesloten of omgekeerd aangesloten.	2) Controleer de IR1 aansluiting, verander indien nodig de draden.
			3) IR1 is momenteel niet uitgelijnd of geblokkeerd.	3) Lijn de IR-zender en ontvanger uit om er zeker van te zijn dat beide leds aan zijn, in plaats van te knipperen. Zorg ervoor dat er niets aan de poort hangt dat de IR-blokkering kan veroorzaken.
E2	E2	De poort kan sluiten wanneer ze aan de limiet openen staat, maar kan niet openen wanneer ze aan de limiet sluiten staat.	1) IR2 is niet aangesloten, of de draad is afgesneden.	1) Controleer of IR2 niet is aangesloten, of de draad is afgesneden.
			2) IR2 draad is kortgesloten of omgekeerd aangesloten.	2) Controleer de IR2 aansluiting, verander indien nodig de draden.
			3) IR2 is momenteel niet uitgelijnd of geblokkeerd.	3) Lijn de IR-zender en ontvanger uit om er zeker van te zijn dat beide leds aan zijn, in plaats van te knipperen. Zorg ervoor dat er niets de IR blokkeert.
E3	E3	Druk op de zender, maar geen poortbeweging.	1) IR3 is niet aangesloten, of de draad is afgesneden.	1) Controleer of IR3 niet is aangesloten, of de draad is afgesneden.
			2) IR3 draad is kortgesloten of omgekeerd aangesloten.	2) Controleer de IR3 aansluiting, verander indien nodig de draden.
			3) IR3 is momenteel niet uitgelijnd of geblokkeerd.	3) Lijn de IR-zender en ontvanger uit om er zeker van te zijn dat beide leds aan zijn, in plaats van te knipperen. Zorg ervoor dat op korte termijn de IR-blokkering kan veroorzaken.
E4	E4	Druk op de zender, maar geen poortbeweging.	1) De sluitkantbeveiliging is niet aangesloten met een weerstand van 8,2 kOhm.	1) Controleer of de 8,2 kOhm sluitkantbeveiliging goed is aangesloten en of de 8,2 kOhm weerstand is geïnstalleerd.
			2) De draad van de sluitkantbeveiliging is kortgesloten.	2) Controleer de draden van de sluitkantbeveiliging en vervang ze indien nodig.
			3) De sluitkantbeveiliging is ingedrukt.	3) Controleer of de sluitkantbeveiliging is ingedrukt.
E5	E5	Druk op de zender, maar geen poortbeweging.	1) De STOP-schakelaar is open.	1) Controleer of de STOP-schakelaar open of beschadigd is.
			2) De STOP-schakelaar is niet aangesloten.	2) Controleer of de STOP-schakelaar is losgekoppeld. Indien ja, sluit dan de STOP-schakelaar opnieuw aan of verander de betreffende invoersinstelling in een andere waarde.
E6	E6	Fout magneet	1) De magneetschakelaar is niet of verkeerd aangesloten.	1) Controleer of de magneetschakelaar juist is aangesloten. Indien niet, herstel de aansluiting.
			2) Magnetisch blok valt van de schakelaar of de zekering is gebroken.	2) Controleer of het magnetisch blok van de schakelaar is gevallen of de zekering is gebroken.
E7	E7	Druk op de zender, maar geen poortbeweging.	De versterker van het bedieningspaneel voor motor 1 is defect.	Schakel de stroom gedurende 20 seconden uit en reset om te controleren of het bedieningspaneel zich herstelt. Indien niet, verander het bedieningspaneel.
E9	E9	Druk op de zender, maar geen poortbeweging.	Vergissing in het geheugen van het bedieningspaneel.	Schakel de stroom gedurende 20 seconden uit en reset om te controleren of het bedieningspaneel zich herstelt. Indien niet, verander het bedieningspaneel.
F1	F1	De motor stopt en keert om tijdens het openen of sluiten.	De motor is geblokkeerd.	Controleer en verwijder de blokkering. Reinig de poort.
F3	F3	De motor stopt en keert om tijdens het openen of sluiten.	De motor blokkeert of de snelheidssensor is beschadigd.	Controleer of motor 1 blokkeert of dat de snelheidssensor is beschadigd.
F5	F5	Druk op de zender, maar de motor heeft geen actie.	Radiomodule defect.	Schakel de stroom gedurende 20 seconden uit en reset om te controleren of het bedieningspaneel zich herstelt. Indien niet, verander het bedieningspaneel.
F6	F6	Poort gaat achteruit tijdens het sluiten.	Laag batterijvermogen.	Laad de batterij op.
F7	F7	Druk op de zender, maar geen poortbeweging.	Het bedieningspaneel is beschadigd.	Schakel de stroom gedurende 20 seconden uit en reset om te controleren of het bedieningspaneel zich herstelt. Indien niet, verander het bedieningspaneel.
F9	F9	Druk op de zender of druk op de knop, maar de motor heeft geen actie.	AP-menu is gereset naar standaard fabrieksinstellingen.	Leer de limieten opnieuw.
LE	LE	De motor stopt plotseling.	Druk op de knop C button tijdens het leren van de limieten.	Leer de limieten opnieuw.

10 TECHNISCHE GEGEVENS

		CHSL400EVC
Invoerspanning	VAC	220-240
Invoerfrequentie	Hz	50/60
Motorspanning	VDC	24 V
Stand-by verbruik (zonder accessoires)	W	4,45
Nominaal vermogen	W	110
Nominale belasting	Nm	3,6
Cycli per uur		5
Max. cycli per dag		20
Max. poortgewicht	kg	400
Max. poortbreedte	m	4
Max. openingssnelheid	mm/s	160
Maximaal koppel	Nm	12
Eindlimiet systeem		Magnetische schakelaar
Werkende Radiofrequentie	MHz	RX 433 MHz (433,30 MHz, 433,92 MHz, 434,54 MHz) RX 868 MHz (868,30 MHz, 868,95 MHz, 869,85 MHz) TX 865,125 MHz, 865,829 MHz, 866,587 MHz
Zendvermogen		< 10 mW
Code		Security+ 2,0
Max. aantal afstandsbedieningen		180
Max. nr. toetsenborden		4
Max. aantal myQ-apparaten		16
Vermogen externe accessoires		24 VDC - max. 500 mA
Aansluiting knipperlicht		24 VDC - max. 500 mA
Aansluiting E-vergrendeling/magnetische vergrendeling		24 VDC - max. 500 mA
Externe relais		24 VDC - max. 500 mA
Sluitkantbeveiliging		8,2 kOhm
Max. aantal IR's		3
Max. aantal externe ingangen		3
Batterijback-up-eenheid		2 x 12 V, 2.2 Ah batterijen model 490EV
Bescherming tegen binnendringing motor	IP	44
Geluidsniveau	dB	< 70 db(A)
Bedrijfstemperatuur	°C	-20 °C tot 55 °C
Gewicht (kit)	kg	12
Zenderfrequentie	TX4REV-F	868 MHz (868,30 MHz, 868,95 MHz, 869,85 MHz)
Zendvermogen		<10 mW
Batterij		CR2032 3V

11. ONDERHOUD

Batterijen in de afstandsbediening vervangen

Batterij van de afstandsbediening:

De batterijen in de afstandsbediening hebben een extreem lange levensduur. Als het zendbereik afneemt, moeten de batterijen worden vervangen. Batterijen vallen niet onder de garantie.

Neem de volgende instructies voor de batterij in acht:

Batterijen mogen niet als huishoudelijk afval worden behandeld. Alle consumenten zijn wettelijk verplicht batterijen op de juiste wijze in te leveren bij de aangewezen inzamelpunten. Laad nooit batterijen op die niet bedoeld zijn om te worden opgeladen.

Explosiegevaar!

Houd batterijen uit de buurt van kinderen, sluit ze niet kort en haal ze niet uit elkaar. Ga onmiddellijk naar een dokter als een batterij is ingeslikt. Reinig, indien nodig, de contacten van de batterij en de apparaten alvorens ze te laden. Verwijder lege batterijen onmiddellijk uit het apparaat!

Verhoogd risico op lekkage!

Stel batterijen nooit bloot aan overmatige hitte, zoals zonneschijn, vuur en dergelijke!

Er is een verhoogd risico op lekkage!

Vermijd aanraking met de huid, ogen en mond. Spoel de door het accuzuur aangetaste delen af met veel koud water en raadpleeg onmiddellijk een arts. Gebruik alleen batterijen van hetzelfde type. Verwijder de batterijen als het apparaat lange tijd niet wordt gebruikt.

Een batterij vervangen:

Om de batterij te vervangen, draait u de afstandsbediening om en opent u de behuizing met een schroevendraaier. Til de afdekking op en til het bedieningspaneel naar beneden. Schuif de batterij naar één kant en verwijder ze. Let op de polariteit van de batterij! Monteer opnieuw in omgekeerde richting.

AANDACHT!

Explosiegevaar als de batterij op onjuiste wijze wordt vervangen. Alleen te vervangen door identiek of gelijkwaardig type (CR2032) 3 V.

VOORZICHTIG

Er bestaat explosiegevaar als de batterij wordt vervangen door een onjuist type.

Slik de batterij niet in, gevaar voor chemische brandwonden.

Dit product bevat een muntbatterij. Knoopbatterijen kunnen bij inslikken letsels of zelfs de dood veroorzaken.

WAARSCHUWING

- Houd batterijen uit het zicht en buiten het bereik van kinderen, knoop-/muntbatterijen kunnen gevaarlijk zijn voor kinderen.
- Voer gebruikte knoopbatterijen onmiddellijk af. Gebruik geen defecte/ingeslikte batterijen.
- Controleer regelmatig of het batterijcompartiment goed dicht zit, stop het gebruik bij een defect.
- Als batterijen zijn ingeslikt of in een deel van het lichaam zijn geplaatst, dient u onmiddellijk medische hulp in te roepen.



Het aandrijvingsmechanisme

Het aandrijvingsmechanisme is onderhoudsvrij. Controleer regelmatig (maandelijks) of het beslag van de poort en de aandrijving goed vastzitten. Laat de aandrijving los en controleer of de poort goed functioneert. Als de poort niet soepel loopt, zal het niet juist werken met het aandrijfmecanisme. De aandrijving kan de problemen veroorzaakt door een niet juist werkende poort niet elimineren.


Eindschakelaar afstelling en krachtregeling


Deze instellingen moeten tijdens de installatie van de opener worden gecontroleerd en juist worden uitgevoerd! Als gevolg van verwerking kunnen zich tijdens de werking van de opener kleine veranderingen voordoen die door een nieuwe instelling moeten worden aangepakt. Dit kan vooral in het eerste bedrijfsjaar gebeuren. Volg de instructies voor het instellen van de slaggrenzen en de kracht (zie sectie beperkte leerfase, pagina 11 en 12) zorgvuldig op en controleer de automatische veiligheidsomkering na elke reset opnieuw!

Demontage

BELANGRIJKE opmerking! Volg de veiligheidsvoorschriften. Zie "veiligheidsinstructies" (pagina 2 en 3). De volgorde beschreven in de sectie "installatie", maar in omgekeerde volgorde. Negeer de installatie-instructies.

12. AFVOEREN

 Onze elektrische en elektronische apparatuur mag niet met het huisvuil worden afgevoerd en moet na gebruik op de juiste wijze worden afgevoerd in overeenstemming met de WEEE-richtlijn EU: 2012/19/EU op afgedankte elektrische en elektronische apparatuur, om ervoor te zorgen dat de materialen worden gerecycleerd.

 Gescheiden inzameling van afgedankte elektrische apparatuur betekent milieuvriendelijke afvoer en is voor de consument volledig kosteloos. WEEE reg. nr. in Duitsland: DE66256568. Verpakkingsafval dat bij de eindverbruiker achterblijft, moet overeenkomstig de richtlijn gescheiden van gemengd afval worden ingezameld. Verpakkingen mogen niet samen met huisvuil, organisch afval of in de natuur worden afgevoerd. Verpakkingsmateriaal moet op basis van het materiaal worden gescheiden en worden afgevoerd in de daarvoor bestemde recyclingcontainers en in bepaalde gemeentelijke recyclingbakken.

 Onze batterijen worden in overeenstemming met de wet op de markt gebracht. De "doorgestreepte vuilnisbak" geeft aan dat batterijen niet bij het huisvuil mogen. Batterijen inbegrepen in het product (technische gegevens). Om te voorkomen dat het milieu of de volksgezondheid schade wordt berokkend, moeten gebruikte batterijen worden ingeleverd bij recyclingcentra van de gemeente of via de detailhandel, zoals wettelijk is voorgeschreven, voor gereguleerde afvoer. Batterijen mogen alleen voor afvoer worden meegenomen als zij volledig ontladen en, in het geval van lithiumbatterijen, met de aansluitklemmen dichtgeplakt zijn. De batterijen kunnen gemakkelijk uit onze apparatuur worden verwijderd voor afvoer. Registratienummer in Duitsland: 21002670.

13. GARANTIE

Uw wettelijke rechten worden door deze fabrieksgarantie niet aangetast. Zie www.chamberlain.eu voor de garantievoorzwaarden.

14. CONFORMITEITSVERKLARING

De handleiding bestaat uit deze bedieningsinstructies en de conformiteitsverklaring.

Het type radioapparatuur (TX4REV-F) is in overeenstemming met Richtlijn 2014/53/EU en voor het VK met de verordening voor de radioapparatuur SI 2017 nr. 1209.

De volledige tekst van de EU-conformiteitsverklaring is beschikbaar op het volgende internetadres: <https://doc.chamberlain.de>

INHALTSVERZEICHNIS

HINWEIS: Die Montage- und Bedienungsanleitung wurde zunächst auf Englisch verfasst. Bei Anleitungen in anderen Sprachen handelt es sich um Übersetzungen des englischen Original-Dokuments.

1. SICHERHEITSVORSCHRIFTEN UND BESTIMMUNGSGEMÄÛE VERWENDUNG.....	2
2. LIEFERUMFANG.....	4
3. BENÖTIGTE WERKZEUGE.....	4
4. ÜBERSICHT DER TORANTRIEBE.....	4
5. MECHANISCHE MONTAGE.....	5
5.1 Abmessungen von Tor und Antrieb.....	5
5.2 Montage der Grundplatte.....	5
5.3 Notentriegelung.....	5
5.4 Montage des Motors auf der Grundplatte.....	6
5.5 Torgestellmontage.....	6
5.6 Leitungsverlegung.....	6
5.7 Endschalterposition Einstellung.....	6
5.8 Zugang zur Steuerplatine und zum Motoranschluss.....	7
6. SCHALTPLAN.....	8
7. PROGRAMMIERUNG.....	9
7.1 Display, Programmier Tasten und Funktionseinstellung.....	9
7.2 Allgemeiner Überblick über die Programmierung.....	9
7.3 Richtung der Flügelbewegungen.....	10
7.4 Grundeinstellungen.....	10
7.4.1 Anwendungseinstellungen.....	10
7.4.2 Bewegungsrichtung Motoreinstellungen.....	10
7.4.3 Endpositionen Einlernen.....	10
7.5 Standby-Modus.....	11
7.6 Programmierung und Löschung von Handsender, Funkzubehör und myQ-Geräten.....	12
7.7 Erweiterte Einstellungen.....	13
7.7.1 Übersicht Erweiterte Einstellungen.....	13
7.7.2 Handsendereinstellungen.....	13
7.7.3 Infrarot-Lichtschranken Einstellungen.....	13
7.7.4 Befehlsgebereinstellungen.....	13
7.7.5 Teilöffnung.....	14
7.7.6 Automatisches Schließen (TTC).....	14
7.7.7 Reversierungsverhalten bei Hinderniserkennung.....	14
7.7.8 Elektroschloss /Magnetschloss Einstellungen.....	14
7.7.9 Einstellungen der Blinkleuchte.....	14
7.7.9a Vorblinken.....	14
7.7.10 Relais-Kontakt Einstellungen (SPEC).....	14
7.7.11 Startgeschwindigkeit in Öffnungs- und Schließrichtung.....	15
7.7.12 Wartungszähler.....	15
7.8 Werkseitige Standardeinstellungen.....	15
7.9 Fertigstellen und Beenden.....	15
8. BATTERIE-BACKUP.....	15
9. FEHLERCODES.....	16
10. TECHNISCHE SPEZIFIKATIONEN.....	17
11. WARTUNG.....	18
12. ENTSORGUNG.....	18
13. GARANTIE.....	18
14. KONFORMITÄT SERKLÄRUNG.....	18

1. SICHERHEITSVORSCHRIFTEN UND BESTIMMUNGSGEMÄSSE VERWENDUNG

Über dieses Handbuch - Originalhandbuch

Diese Anleitung ist die Originalbetriebsanleitung gemäß der Maschinenrichtlinie 2006/42 EG. Die Bedienungsanleitung muss sorgfältig gelesen werden, um wichtige Informationen zum Produkt zu verstehen. Achten Sie auf die Sicherheits- und Warnhinweise. Bewahren Sie das Handbuch an einem sicheren Ort auf, damit Sie später darin nachschlagen können und es allen Personen für Inspektion, Service, Wartung und Reparatur zur Verfügung steht. Übergeben Sie nach der Montage die vollständige Dokumentation an die verantwortliche Person/den Eigentümer.

Qualifizierung eines kompetenten Installateurs

Nur eine ordnungsgemäße Montage und Wartung durch einen kompetenten Installateur (Fachkraft) / eine kompetente Firma, entsprechend der Anleitung, ist für die sichere und bestimmungsgemäße Funktion der Anlage maßgeblich. Fachkraft ist, wer aufgrund seiner fachlichen Ausbildung und Erfahrung ausreichende Kenntnisse auf dem Gebiet der Torantriebe hat und darüber hinaus mit den einschlägigen staatlichen Arbeitsschutzvorschriften und allgemein anerkannten Regeln der Technik soweit vertraut ist, dass er den arbeitssicheren Zustand von Torantrieben nach EN 13241, 12604, 12453 (EN12635) beurteilen kann.

Der Installateur muss Folgendes verstehen:

Überprüfen Sie vor dem Einbau des Antriebs, ob sich der angetriebene Teil in gutem mechanischen Zustand befindet, ordnungsgemäß öffnet und schließt und ggf. korrekt ausgewuchtet ist.

Vor der ersten Inbetriebnahme und mindestens einmal jährlich muss ein Fachmann das motorbetriebene Tor auf seinen sicheren Zustand prüfen. Nach dem Einbau muss sich der Monteur vergewissern, dass der Mechanismus richtig eingestellt ist und dass das Schutzsystem und eine eventuelle Handauslösung korrekt funktionieren (EN 13241, EN12604, EN 12453, EN 12635). Es muss eine regelmäßige Wartung und Inspektion gemäß den Normen durchgeführt werden. Der Installateur muss andere Benutzer in den sicheren Betrieb des Antriebssystems einweisen.

Bitte lesen Sie die Betriebsanleitung und insbesondere die Sicherheitshinweise. Die folgenden Symbole stehen vor den Anweisungen, um Personen- oder Sachschäden zu vermeiden. Lesen Sie diese Anweisungen sorgfältig durch.

Warnsymbole

Das allgemeine Warnsymbol weist auf eine Gefahr hin, die zu Verletzungen oder zum Tod führen kann. Im Textteil werden die allgemeinen Warnsymbole wie unten beschrieben verwendet.

GEFAHR-Symbol	WARNUNG-Symbol	VORSICHT-Symbol	ACHTUNG-Symbol
 GEFAHR	 WARNUNG	 VORSICHT	ACHTUNG
Weist auf eine Gefahr hin, die unmittelbar zum Tod oder zu schweren Verletzungen führt.	Weist auf eine Gefahr hin, die zum Tod oder zu schweren Verletzungen führen kann.	Weist auf eine Gefahr hin, die zu einer Beschädigung oder Zerstörung des Produkts führen kann.	Weist auf eine Gefahr hin, die zu einer Beschädigung oder Zerstörung des Produkts führen kann.

Verwendungszweck

Der Schiebetorantrieb ist ausschließlich für den Betrieb von leichtgängigen Schiebetoren im privaten, nichtgewerblichen Bereich konzipiert und geprüft.

Die Spezifikationen für Tore sind unter den mechanischen Anforderungen gemäß EN12604 definiert.

Die maximal zulässige Torggröße und das maximale Gewicht dürfen nicht überschritten werden. Das Tor muss sich leichtgängig von Hand öffnen und schließen lassen. Verwenden Sie den Antrieb an Toren, die den geltenden Normen und Richtlinien entsprechen. Bei der Verwendung von Toren müssen die regionalen Bedingungen für Windlasten berücksichtigt werden: EN13241. Beachten Sie die Angaben des Herstellers zur Kombination von Tor und Antrieb. Mögliche Gefährdungen im Sinne der EN13241 sind zu vermeiden, indem das Tor gemäß den entsprechenden Anweisungen entworfen und eingebaut wird. Dieser Tormechanismus muss unter Beachtung der entsprechenden Sicherheitsvorschriften installiert und betrieben werden.

Unsachgemäße Verwendung

Das Antriebssystem ist nicht für den Dauerbetrieb und den Einsatz in einer gewerblichen Anwendung vorgesehen.

Die Konstruktion des Antriebssystems ist nicht für den Betrieb von Toren außerhalb der Herstellerspezifikation ausgelegt.

Bei Toren, die mit Steigung/Gefälle laufen, ist der Betrieb nicht erlaubt.

Jede unsachgemäße Verwendung des Antriebssystems kann das Unfallrisiko erhöhen. Der Hersteller übernimmt keine Haftung für eine solche Verwendung. Mit diesem Antrieb müssen automatisierte Tore den aktuellen, gültigen internationalen und länderspezifischen/lokalen Normen, Richtlinien und Vorschriften entsprechen (EN 13241, EN12604, EN 12453).

Nur Chamberlain- und zugelassenes Zubehör darf an den Antrieb angeschlossen werden. Eine unsachgemäße Montage und/oder die Nichtbeachtung der folgenden Anweisungen kann zu schweren Personen- oder Sachschäden führen.

Toranlagen, die sich in öffentlichen Bereichen befinden und nur eine Kraftbegrenzung haben, können nur unter voller Aufsicht betrieben werden.

Zusätzliche Sicherheitsvorrichtungen sollten in Übereinstimmung mit der EN12453 in Betracht gezogen werden.

1. SICHERHEITSVORSCHRIFTEN UND BESTIMMUNGSGEMÄSSE VERWENDUNG

Während des Betriebs darf das Tor auf keinen Fall öffentliche Wege und Straßen behindern (öffentlicher Bereich).

Seien Sie vorsichtig, wenn Sie bei der Montage oder bei Reparaturarbeiten an einem Tor mit Werkzeugen und Kleinteilen arbeiten, und tragen Sie keine Ringe, Uhren oder lose Kleidung.

Um schwere Verletzungen durch Einklemmen zu vermeiden, entfernen Sie alle am Tor angebrachten Verriegelungen, um eine Beschädigung des Tores zu verhindern.

Die Montage und Verkabelung muss in Übereinstimmung mit den örtlichen Bau- und Elektromontagevorschriften erfolgen. Netzkabel dürfen nur an eine ordnungsgemäß geerdete Stromversorgung angeschlossen werden.

Trennen Sie das System vor der Montage, Wartung, Reparatur oder dem Entfernen von Abdeckungen von der Spannungsversorgung. Es muss eine Isoliervorrichtung für die Netzstromversorgung (festverdrahtete Montage) vorgesehen werden, um eine allpolige Abschaltung zu gewährleisten (Trennschalter oder separate Sicherung). Die Reparaturen und elektrischen Montagen dürfen nur von einem autorisierten Elektriker durchgeführt werden. Für den Notfall muss auf der Grundlage der Risikobewertung ein Notausschalter installiert werden.

Stellen Sie sicher, dass ein Einklemmen zwischen dem angetriebenen Teil und den umgebenden festen Teilen aufgrund der Öffnungsbewegung des angetriebenen Teils vermieden wird, indem Sie die vorgegebenen Sicherheitsabstände gemäß der EN 13241, EN 12604, EN 12453, EN 12635 und/oder mit Sicherheitsvorrichtungen (z. B. Kontaktleiste absichern).

Es wird empfohlen, die Sicherheitsfunktion des Antriebssystems mindestens einmal im Monat zu überprüfen. Beachten Sie auch die Anweisungen des Herstellers der Toranlage.

Nach der Montage muss eine abschließende Prüfung der vollen Funktion des Systems und der Sicherheitseinrichtungen erfolgen und alle Benutzer müssen in die Funktion und Bedienung des Schiebetorantriebs eingewiesen werden.

Torsysteme müssen die Kraftbegrenzung gemäß EN 12453, EN 60335-2-103.

Zusätzliche Sicherheitseinrichtungen (Kontaktleiste...) müssen bei Änderungen an der Anlage entsprechend der Norm berücksichtigt werden.

Es muss sichergestellt werden, dass das Tor immer reibungslos funktioniert. Tore, die klemmen oder blockiert sind, müssen sofort repariert werden. Beauftragen Sie einen qualifizierten Techniker mit der Reparatur des Tores, versuchen Sie niemals, es selbst zu reparieren. Dieses Gerät ist nicht dafür bestimmt, durch Personen (einschließlich Kinder) mit eingeschränkten physischen, sensorischen oder geistigen Fähigkeiten oder mangels Erfahrung oder mangels Wissen benutzt zu werden, es sei denn, sie werden durch eine für ihre Sicherheit zuständige Person beaufsichtigt oder erhalten von ihr Anweisungen, wie das Gerät zu benutzen ist. Falls erforderlich, MÜSSEN die Bedienelemente in Sichtweite des Tores und außerhalb der Reichweite von Kindern angebracht werden. Kinder sollten beaufsichtigt werden, um sicherzustellen, dass sie nicht mit dem Gerät spielen. Erlauben Sie Kindern nicht, die Drucktaste(n) oder die Fernbedienung(en) zu bedienen. Eine falsche Verwendung des Torantriebs kann zu schweren Verletzungen führen.

Die Warnschilder sollten an gut sichtbaren Stellen angebracht werden.

Der Torantrieb sollte NUR dann verwendet werden, wenn der Benutzer den gesamten Torbereich einsehen kann und sicher ist, dass dieser frei von Hindernissen ist und der Torantrieb richtig eingestellt ist. Niemand darf den Torbereich durchqueren, während er in Bewegung ist. Kinder dürfen nicht in der Nähe des Tores spielen.

Der vollständige Schutz gegen mögliches Quetschen oder Einklemmen muss sofort bei der Montage des Antriebssystems funktionieren.

Es können Gefahren an mechanischen, elektrischen Anlagen oder an den Schließkanten des Tores durch Quetsch- und Stoßstellen bestehen:

- Strukturelles Versagen, Flügel, Scharniere, Befestigungen, Anschläge, Windlast
- Quetschung, Scharnierbereich, unter dem Tor, Sicherheitsabstand zu festen Gegenständen
- Elektrischer Ausfall (Steuerung - Fehler in Sicherheitssystemen)
- Aufprall, überstrichener Bereich, Halten bis zum Lauf, Kraftbegrenzung, Anwesenheitserkennung

Es müssen geeignete Maßnahmen getroffen werden, um den sicheren Betrieb der Toranlage gemäß den Normen zu gewährleisten.

Nehmen Sie niemals einen beschädigten Antrieb in Betrieb.

Benutzen Sie die Notentriegelung nur zum Auskuppeln des Antriebs und - wenn möglich - NUR bei geschlossenem Tor. Die Betätigung der Notentriegelung kann zu unkontrollierten Bewegungen des Tores führen. Die automatische Schließen Funktion (TTC) und die myQ Smartphone Control sind Beispiele für den unbeaufsichtigten Betrieb des Tores.

Jede Vorrichtung oder Funktion, die das Schließen des Tores ermöglicht, ohne sich in der Sichtlinie des Tores zu befinden, gilt als unbeaufsichtigtes Öffnen/Schließen.

Die Funktion Timer-to-ZU (TTC), die myQ Smartphone-Steuerung und alle anderen myQ-Geräte können NUR aktiviert werden, wenn Chamberlain-Lichtschranken installiert sind (TTC funktioniert nur in Schließrichtung). Das Tor darf nur in der direkten Sichtlinie zum Tor betätigt werden.

WICHTIGE INFORMATION!

- Dieses Verfahren ist auch bei privaten Anlagen (neu oder nachgerüstet auf ein handbetätigtes Tor) erforderlich.
Diese Montage- und Betriebsanleitung muss vom Benutzer aufbewahrt werden.
- Der Hersteller übernimmt keine Haftung/Gewährleistungsansprüche, die sich aus einer nicht bestimmungsgemäßen Verwendung und nach Ablauf der Gewährleistung ergeben.

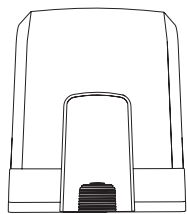
HINWEIS: Beachten Sie die Montage- und Betriebsanleitung.

- Überwachen Sie stets die Funktion des Systems und beheben Sie im Falle einer Störung sofort die Ursache.
- Führen Sie eine jährliche Inspektion des Systems durch. Rufen Sie einen Fachmann an.
- Die Sicherheitsabstände zwischen dem Torflügel und der Umgebung müssen gemäß den einschlägigen Normen eingehalten werden.
- Der Antrieb kann nur auf stabilen und festen Torflügeln montiert werden. Die Torflügel dürfen sich beim Öffnen und Schließen nicht verbiegen oder verdrehen.
- Vergewissern Sie sich, dass die Scharniere des Torflügels korrekt montiert sind und funktionieren und keine Hindernisse darstellen.
- Die Montage von zwei Antrieben auf demselben Türblatt ist strengstens untersagt.
- Beachten Sie die entsprechenden Anforderungen der lokalen, nationalen Vorschriften zur Einhaltung der Maßnahmen zum Schutz der menschlichen Gesundheit, die beim Kontakt mit anderen Personen, einschließlich Mitarbeitern, Lieferanten und Kunden, zu beachten sind (z.B. Sicherheitsabstand, Maskenpflicht, etc.).
- Genaue Informationen können bei den örtlichen Behörden angefordert werden.

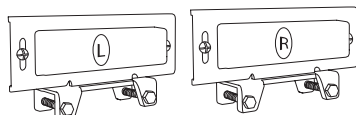
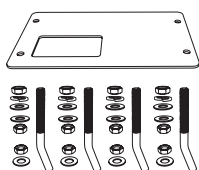


2. LIEFERUMFANG

CHSL400EVC



Motoreinheit mit Steuerung



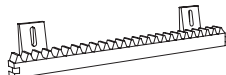
Fernbedienung (2x)



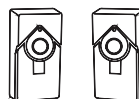
Notentriegelungsschlüssel (2x)



Montageanleitung

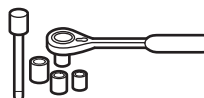
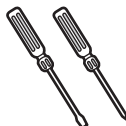
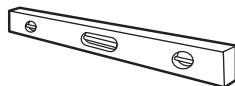
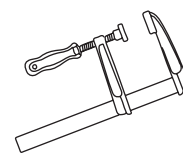
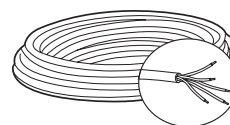
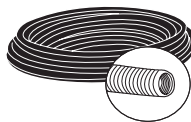
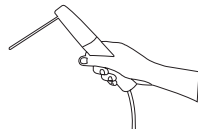
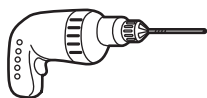
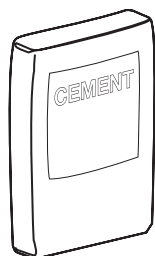


Zahnstange (12x33 cm)



Lichtschranke

3. BENÖTIGTE WERKZEUGE

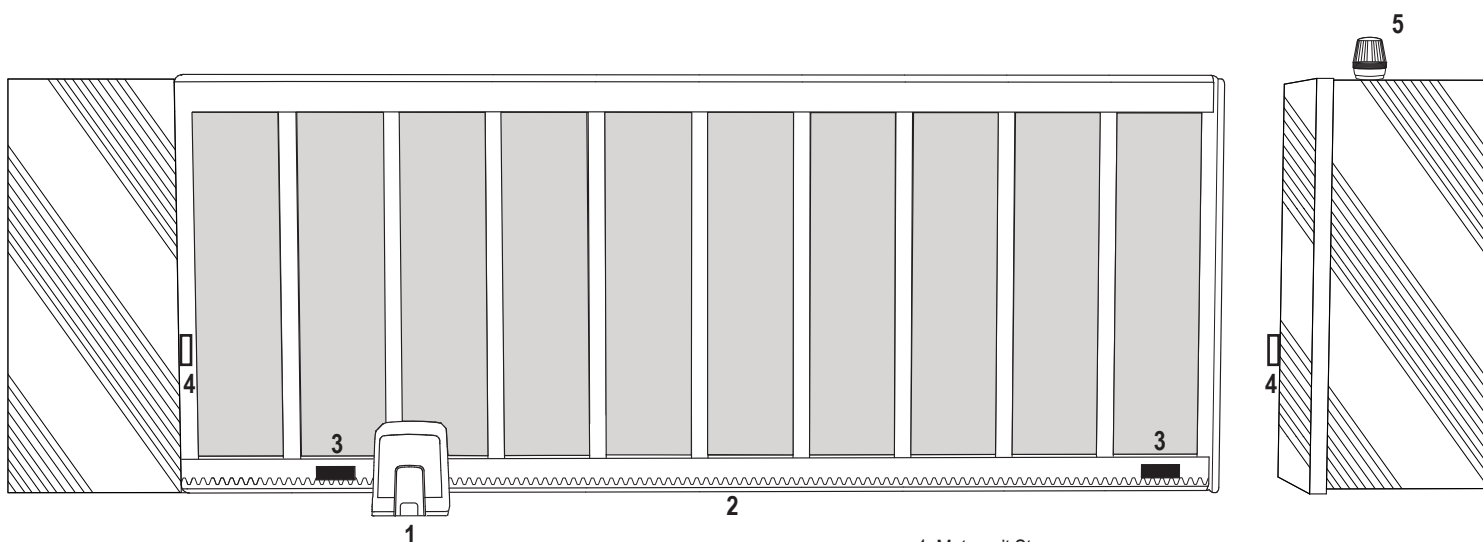


8, 13 mm



8, 13 mm

4. ÜBERSICHT DERTORANTRIEBE



1. Motor mit Steuerung
2. Zahnstange
3. Magnethalterungen
4. Infrarot-Lichtschranken
5. Blinkleuchte

5. MECHANISCHE MONTAGE

Hiermit beginnen Sie die mechanische Montage des Torantriebs.

5.1 Abmessungen von Tor und Antrieb

CHSL400EVC

Allgemeine Informationen und Bedingungen für die Einrichtung.

Vergewissern Sie sich vor der Montage des Torantriebs, dass das Tor einwandfrei funktioniert. Das Gewicht des Tores darf nicht vollständig auf der Motorwelle lasten. Vergewissern Sie sich, dass alle erforderlichen Kabel (Stromkabel, Zubehörkabel usw.) vorbereitet und korrekt verlegt sind, bevor die Grundplatte einbetoniert wird.

HINWEIS:

Alle Quetschstellen müssen durch einen Einklemmschutz nach EU-Norm gesichert sein: EN 12453, EN 60335-2-103.

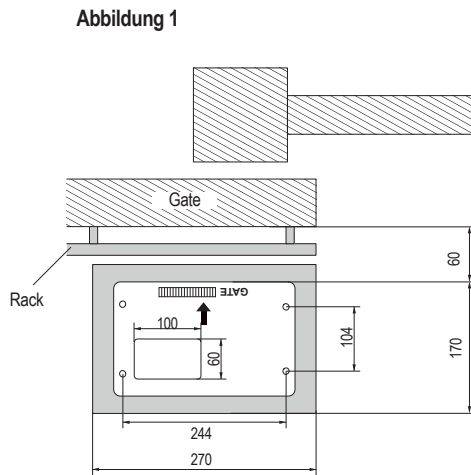
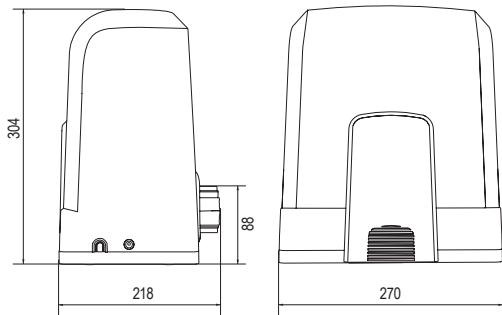
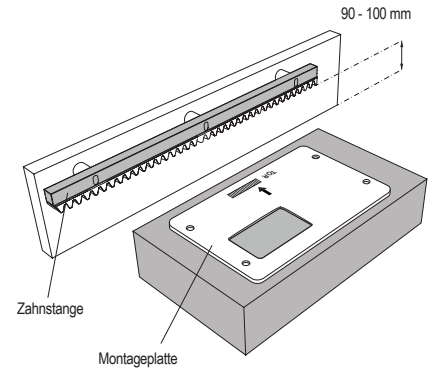


Abbildung 2



CHSL400EVC	4 m	400 kg
------------	-----	--------

5.2 Montage der Grundplatte

1. Nehmen Sie die Ankerschraube und setzen Sie eine Mutter bis zur Unterseite der Trittfäche. Fügen Sie eine Unterlegscheibe hinzu und setzen Sie sie von unten in die Grundplatte ein. Von oben mit einer zweiten Mutter sichern.
2. Wiederholen Sie dies für die restlichen 3 Ankerschrauben (siehe Bild 3).
3. Führen Sie die vorbereiteten Kabel (siehe Abbildung 4) durch das Loch in der Grundplatte.
4. Setzen Sie die Grundplatte in den vorbereiteten Beton ein. Vergewissern Sie sich, dass die Platte korrekt am Tor angebracht ist und der erforderliche Abstand zum Tor und zur Zahnstange eingehalten wird (siehe Abbildung 1). Der Pfeil auf der Grundplatte muss in Richtung Tor zeigen. Richten Sie die Grundplatte aus und schließen Sie die Betonarbeiten ab.
5. Lassen Sie den Betonsockel mindestens 24 Stunden lang trocknen, bevor Sie fortfahren (siehe Abbildung 5).

HINWEIS: Bei der Montage einer Grundplatte ist darauf zu achten, dass eine spätere Montage des Antriebs und eine spätere Positionsanpassung mit den Stellschrauben bei Bedarf noch möglich ist.

Abbildung 3

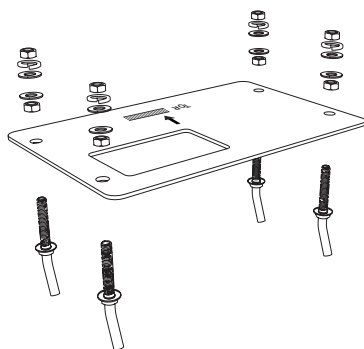


Abbildung 4

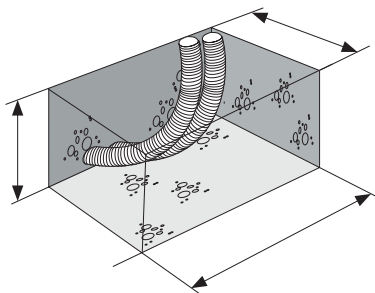
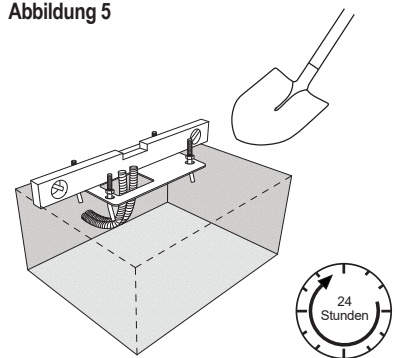


Abbildung 5

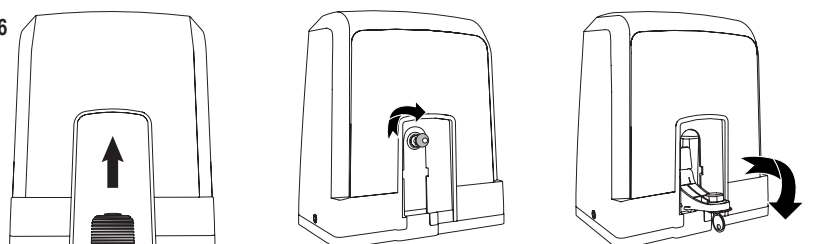


5.3 Notlösemechanismus

- Entfernen Sie die kleine vordere Kunststoffabdeckung vom Antrieb.
- Setzen Sie den Schlüssel in das Schlüsselloch und drehen Sie ihn um 90° nach rechts.
- Ziehen Sie den Hebel nach unten.

Um den Antrieb wieder einzuschalten, gehen Sie in umgekehrter Reihenfolge vor.

Abbildung 6



5. MECHANISCHE MONTAGE

5.4 Montage des Motors auf der Grundplatte

1. Sobald die Grundplatte befestigt ist, heben Sie die Mutter, mit der die Grundplatte befestigt ist, von oben etwa 5-10 mm an und fügen eine Unterlegscheibe hinzu.
2. Entfernen Sie die kleine vordere Kunststoffabdeckung vom Antrieb und führen Sie eine manuelle Entriegelung durch, indem Sie den Schlüssel in das Schlüsselloch stecken, nach rechts drehen und den Hebel nach unten ziehen (siehe manuelle Entriegelung Seite 5).
3. Entfernen Sie die 2 Schrauben an den Seiten der Abdeckung (siehe Abbildung 7).
4. Entfernen Sie die Abdeckung des Antriebs und setzen Sie den Antrieb mit den Verankerungsschrauben und dem Loch in der Antriebsverkleidung auf die Grundplatte. Hinweis: Es muss ein Abstand zwischen der Grundplatte und dem Antrieb vorhanden sein (5-10 mm), um spätere Höhenanpassungen zu ermöglichen (siehe Bild 8).
5. Führen Sie die Kabel durch die entsprechende Öffnung im Boden des Antriebsgehäuses.
6. Sichern Sie den Antrieb mit Unterlegscheibe, Federring und Mutter wie in Abbildung 8 dargestellt.

Abbildung 7

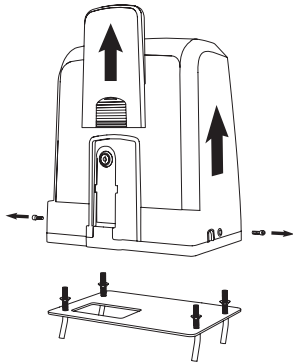
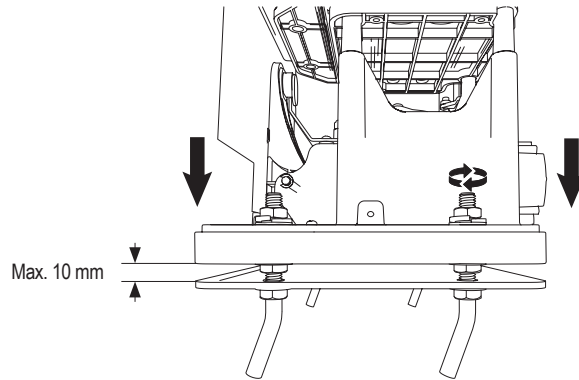


Abbildung 8



5.5 Torgestellmontage

1. Bringen Sie das Tor manuell in die Position GESCHLOSSEN.
2. Das Stahl- oder Nylongestell kann durch Schweißen (nur Stahl) oder mit Schrauben befestigt werden (siehe Abbildung 9). Setzen Sie das erste Zahnstangensegment so an das Ende des Tores, dass es mit dem Antriebsrad verbunden ist, wie in Abbildung 10 gezeigt, und befestigen Sie die Zahnstange am Tor. Verschieben Sie dann das Tor und befestigen Sie das nächste Regalsegment in der Nähe des vorherigen Segments. Fahren Sie auf diese Weise fort, bis Sie die vollständig geöffnete Position erreicht haben.

HINWEIS: Achten Sie immer darauf, dass die Zahnstange nicht zwangsläufig auf dem Antriebsrad aufliegt oder einen zu großen Abstand zu diesem hat.

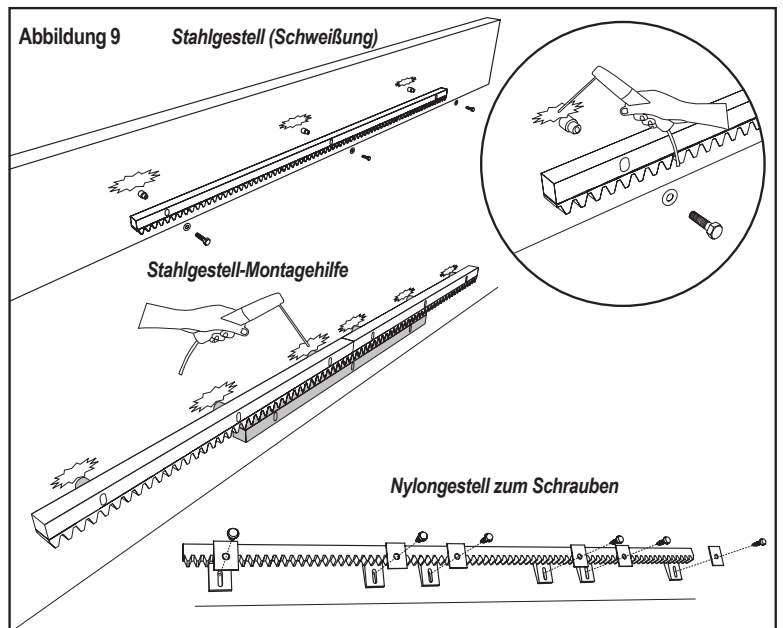
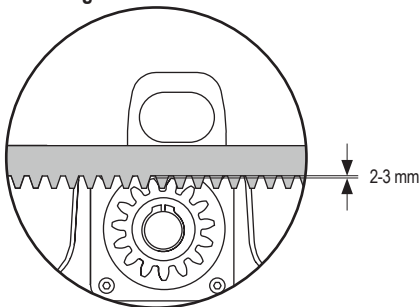
Vor dem Einbau:

- Prüfen Sie, ob die erforderliche Einschraubtiefe vorhanden ist.
- Verwenden Sie die mitgelieferten Verbindungselemente (Schrauben), um die Gestelle zu montieren.
- Befestigen Sie das Rahmensegment mit den mitgelieferten Schrauben an der richtigen Stelle.

HINWEIS:

Die Materialart und -stärke an der Einbauposition des Regals muss berücksichtigt werden. Der Antrieb muss ausgekuppelt sein.

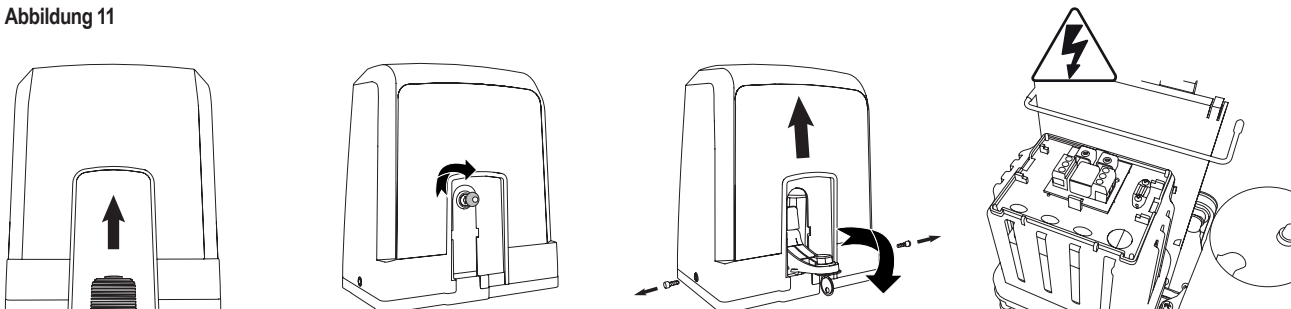
Abbildung 10



5.6 Leistungsverdrahtung

Die Leistungsverdrahtung muss von einer zertifizierten Elektrofachkraft durchgeführt werden. Zum Anschluss an das Stromnetz entfernen Sie bitte die Antriebsabdeckung wie oben beschrieben.

Abbildung 11



5. MECHANISCHE MONTAGE

5.7 Endschalterposition Einstellung

1. Stellen Sie sicher, dass der Antrieb mit Strom versorgt wird.
2. Positionieren Sie die Halterungen mit den Magneten am linken und rechten Ende des Gestells, wo die Endpositionen eingenommen werden. Die Magnete sind mit L für die linke Seite und R für die rechte Seite gekennzeichnet und müssen rechts oder links vom Antrieb positioniert werden (siehe Abbildung 12). Die Position der Halterung kann durch Verschieben der Halterung entlang der Zahnstange eingestellt werden.
3. Mit dem manuell ausgelösten Antrieb wird das Tor in Richtung AUF bewegt, um den an den Regalen befestigten Magneten zu erreichen. Achten Sie darauf, dass das Maß zwischen Magnet und Endschalter eingehalten wird (siehe Bild 13).
4. Bei Erreichen dieses Punktes leuchtet der Abschnitt des oberen rechten digitalen Segments auf dem Display.
5. Falls erforderlich, passen Sie die Position des Magneten an, stellen Sie sicher, dass die obere rechte Digitalanzeige eingeschaltet ist, und befestigen Sie die Schrauben der Magnethalterung.
6. Wiederholen Sie den Vorgang in Richtung ZU, um den Magneten in der Position ZU auf der gegenüberliegenden Seite des Tores zu erreichen.
7. Bei Erreichen des Ziels leuchtet der Abschnitt der rechten unteren Digitalanzeige auf.
8. Falls erforderlich, passen Sie die Position des Magneten an, stellen Sie sicher, dass die untere rechte Digitalanzeige eingeschaltet ist, und befestigen Sie die Schrauben der Magnethalterung.
9. Bewegen Sie das Tor in die mittlere Position (zwischen offenem und geschlossenem Anschlag).

Der Antrieb ist bereit für die Lernphase.

Abbildung 12

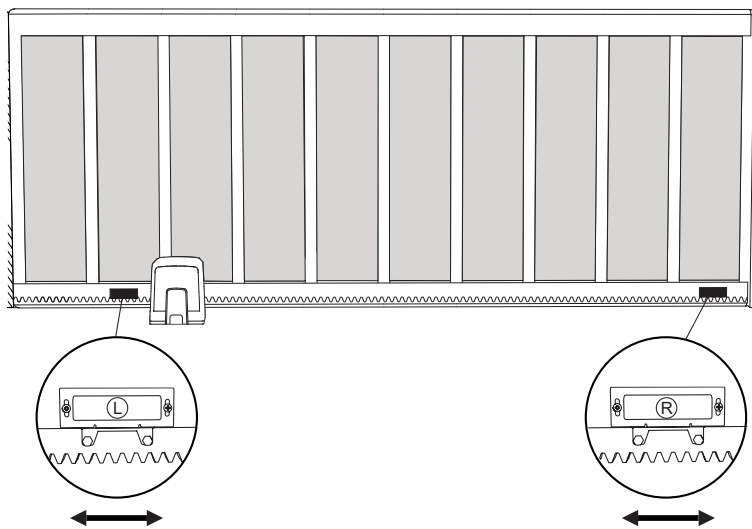
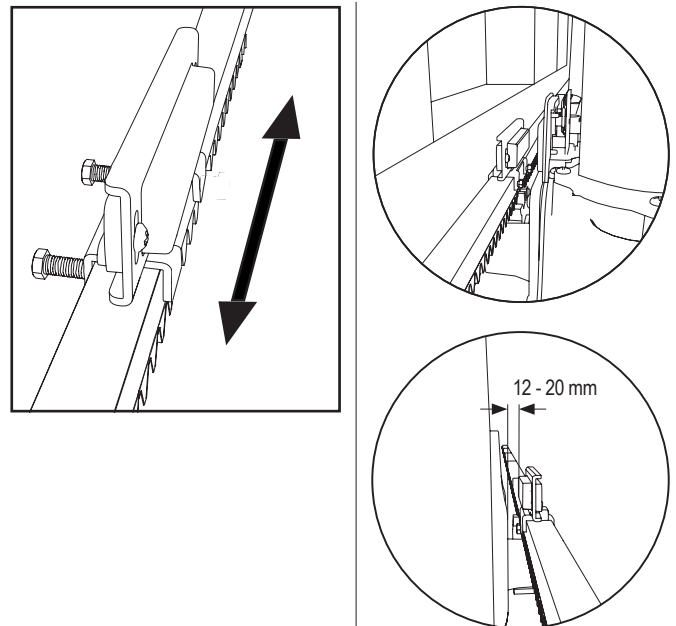


Abbildung 13

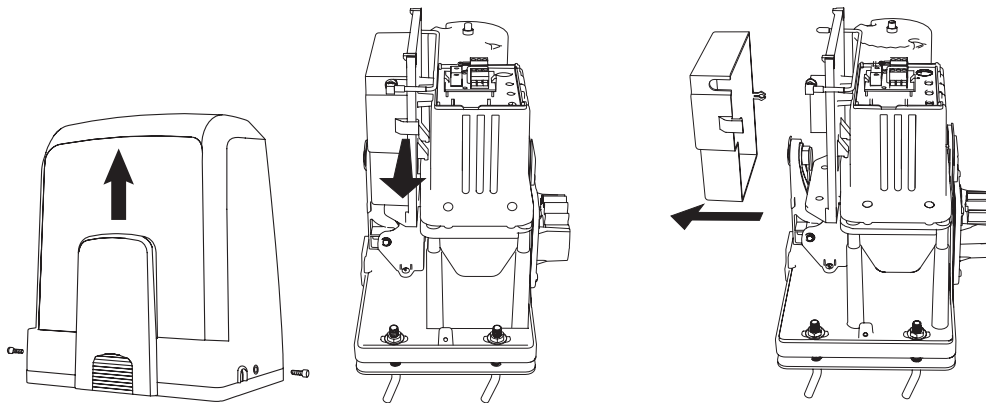


5.8 Zugang zur Steuerplatine und zum Motoranschluss

- Die Steuerplatine ist bereits vorinstalliert und mit der Motorklemme vorverdrahtet. Es sind keine zusätzlichen Maßnahmen erforderlich.

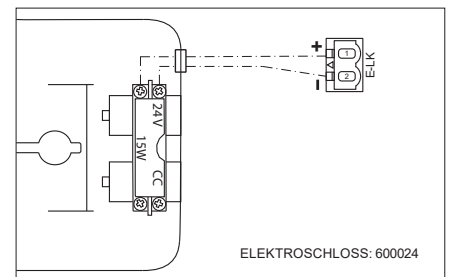
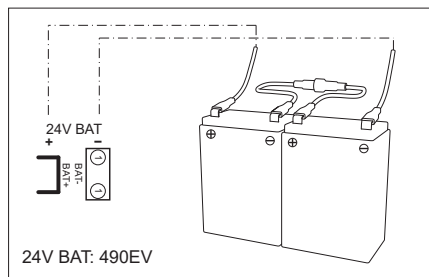
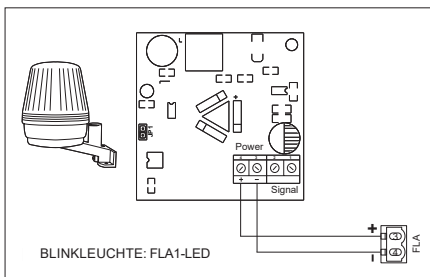
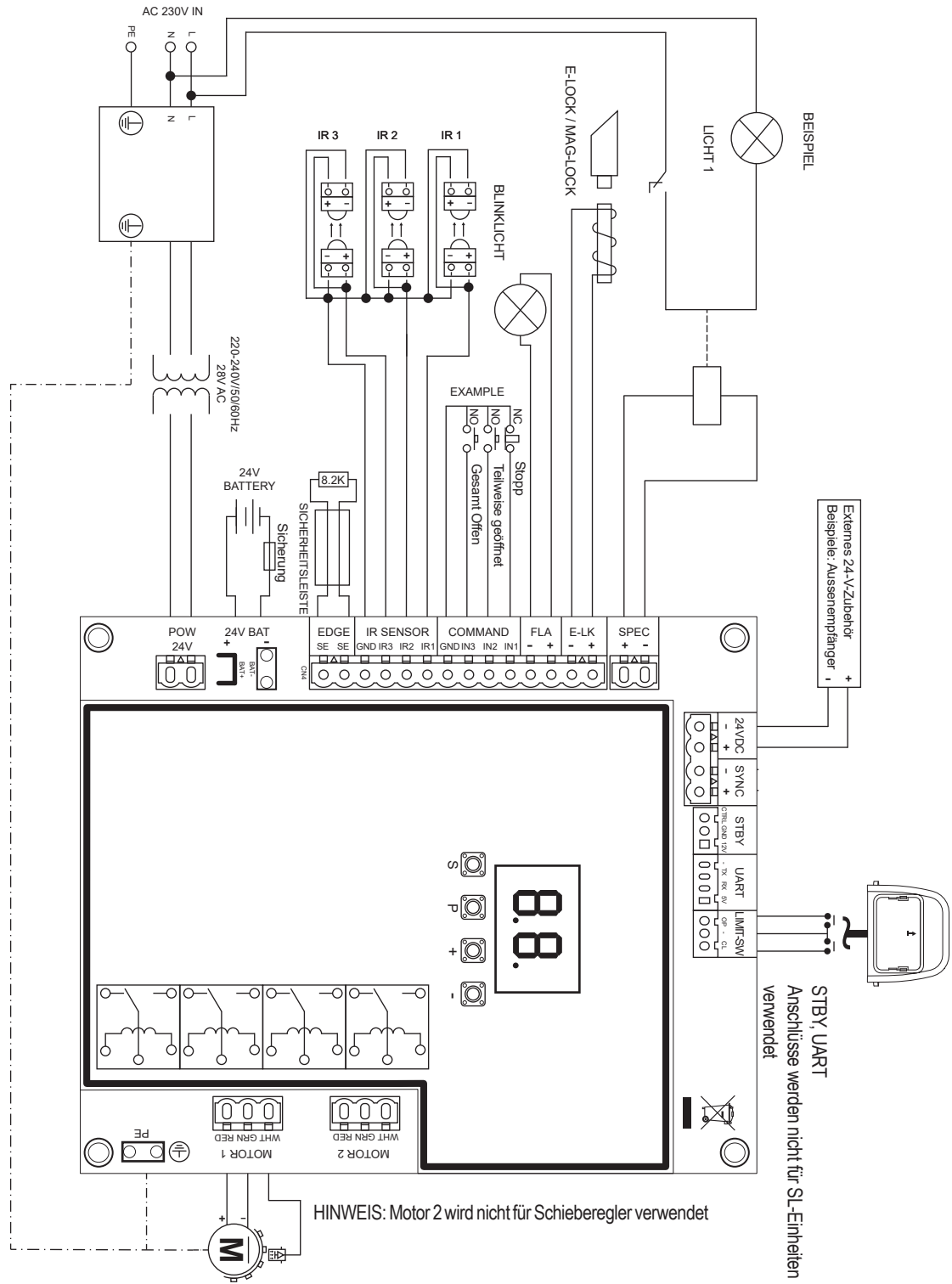
Um Zugang zur Steuerplatine zu erhalten, entfernen Sie die Abdeckung des Antriebs. Die Klemmen für die Beendigung der Verdrahtung des Zubehörs sind direkt zugänglich. Um Zugang zu den Programmier Tasten zu erhalten, nehmen Sie die durchsichtige Kunststoffabdeckung ab und setzen Sie sie wieder auf, sobald die Programmierung abgeschlossen ist.

Abbildung 14



Herzlichen Glückwunsch! Damit ist die mechanische Montage Ihres Torantriebs abgeschlossen. Bitte fahren Sie mit der Programmierung und den Grundeinstellungen fort, um den Betrieb aufnehmen zu können.

6. SCHALTPLAN



7. PROGRAMMIERUNG

7.1 Display, Programmier Tasten und Funktionseinstellung

Programmier tastenfunktion (4 Tasten):

Taste	Funktion
S	Programmieren/Löschen von Fernbedienungsfunktionen und spezifischen Funktionen
P	Programmiermodus aufrufen, Funktion auswählen und speichern
+/-	Navigieren Sie durch das Menü und ändern Sie den Wert auf dem Display

Funktion und programmierte Werte werden auf dem LED-Display angezeigt.

Funktionseinstellung - Programmiermodus

Die LED-Anzeige zeigt nach dem Einschalten der Steuerplatine folgende Werte an:

- -	Das Board ist für die jeweilige Anwendung vorprogrammiert (Statusbeschreibung siehe unten unter „Anwendung“ und „Standby-Modus“).
EO	„EO“, falls die Steuerplatine noch nicht programmiert oder mit der Funktion „Werkseinstellung“ zurückgesetzt wurde. In diesem Zustand wird ein Eingangs- oder Handsender-Befehl immer ignoriert.

7.2 Allgemeiner Überblick über die Programmierung

Hiermit starten Sie die Programmierung Ihres Torantriebs.

Die Programmierung ist in 2 Abschnitte unterteilt:

1. Grundeinstellungen (Seite 11)
2. Erweiterte Einstellungen (Seite 14)

Nachdem die Grundeinstellungen vorgenommen wurden, werden die folgenden Parameter während der Lernphase automatisch gelernt:

1. Hublänge von der Stellung **KOMPLETT ZU** bis **KOMPLETT AUF**.
2. Öffnungs- und Schließkraft für jeden Motor.

HINWEIS:

- Die Grundeinstellungen und die Lernphase müssen abgeschlossen sein, um den Betrieb zu ermöglichen.
- Nach Abschluss der Lernphase und der Programmierung arbeitet der Operator mit den Standardeinstellungen.
- Auf die erweiterten Einstellungen kann nicht zugegriffen werden, wenn die Grundeinstellungen und die Lernphase nicht abgeschlossen sind.
- **Stellen Sie vor der Programmierung sicher, dass die entsprechenden Sicherheitseinrichtungen angeschlossen sind.**

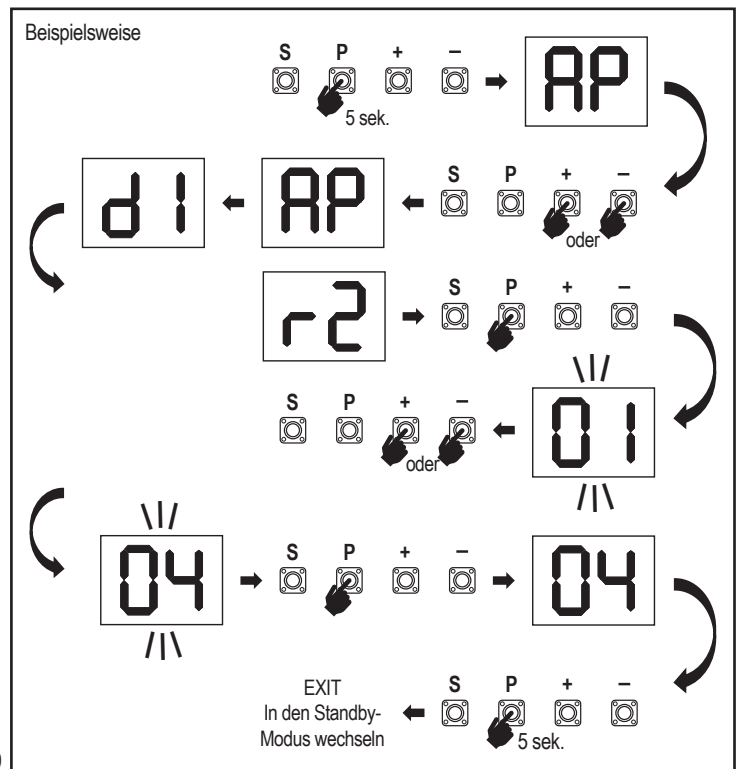
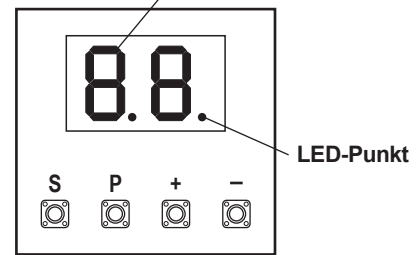
Allgemeine Einrichtung:

1. Halten Sie die Taste „P“ 5 Sekunden lang gedrückt, um das Menü aufzurufen. „AP“ auf dem Display zeigt die erste verfügbare Funktion im Menü an.
2. Verwenden Sie die Tasten „+“ und „-“, um zwischen den Funktionen zu navigieren.
3. Drücken Sie die Taste „P“, um die gewünschte Funktion zu wählen.
4. Die Standardeinstellung oder der zuvor programmierte Wert wird angezeigt. Dies wird durch Blinken des Wertes auf dem Display angezeigt.
5. Verwenden Sie die Tasten „+“ or „-“, um den gewünschten Wert auszuwählen. Drücken Sie die Taste „P“, um die Auswahl zu bestätigen.
6. Die programmierte Funktion wird auf dem Display angezeigt.
7. Um die Einstellung einer anderen Funktion zu ändern, wiederholen Sie die Abfolge der Punkte #2 bis #6
8. Um das Funktionsmenü zu verlassen, drücken Sie 5 Sekunden lang die Taste „P“, dann wechselt das Board in den Standby-Modus.

Wenn die Taste „P“ nicht gedrückt wird, um die neuen Werte zu bestätigen, werden die neuen Einstellungen nach 3 Minuten gespeichert und die Programmierung verlässt das Menü und kehrt in den Standby-Modus zurück.

HINWEIS: Um das Tor zu bedienen oder einen Befehl auszuführen, muss das Einstellungs Menü beendet werden, indem die Taste „P“ 5 Sekunden lang gedrückt wird, oder indem die Funktion FE gewählt wird, oder indem 3 Minuten gewartet wird, um das Menü automatisch zu verlassen und in den Stand-by-Modus zurückzukehren.

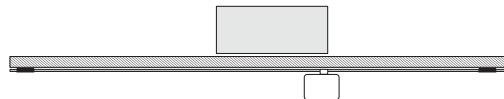
2-stellige LED-Anzeige



7. PROGRAMMIERUNG

7.3 Richtung der Flügelbewegungen

Vor dem Programmieren das Tor manuell in die Mittelstellung fahren und den Entriegelungsmechanismus wieder einrasten lassen (siehe Seite 6). Halten Sie die Taste „-“ auf der Steuerplatine gedrückt und vergewissern Sie sich, dass sich der Motor in Richtung **ZU** bewegt. Wenn dies der Fall ist, lassen Sie sofort die „-“ Taste los und das Tor bleibt stehen.



Wenn sich der Motor in Richtung **AUF** bewegt, gehen Sie zu den Funktionen „d1“ und ändern Sie die Richtungseinstellungen.

Wenn die **ZU**-Richtung richtig eingestellt ist, lassen Sie das Tor in der Mittelstellung. Der Antrieb ist bereit für die Lernphase.

Hinweis: Das Tor kann bei Bedarf vor der endgültigen Einstellung mit den Tasten „+“ und „-“ verschoben werden.

Drücken und halten Sie die Taste „+“ auf der Steuerplatine, um das Tor in die Position **AUF** zu bringen. Wenn die Taste losgelassen wird, hält der Antrieb an.

Drücken und halten Sie die Taste „-“ auf der Steuerplatine, um das Tor in die Position **ZU** zu bringen. Wenn die Taste losgelassen wird, hält der Antrieb an.

7.4 Grundeinstellungen

Grundeinstellungen Übersicht

LED		Funktion
		Grundeinstellungen (erforderlich)
	AP	Anwendung
	d1	Motordrehrichtung 1
	LL	Grenzwertlernphase

7.4.1 Anwendungseinstellungen



Anwendungsfunktion wird auf dem Display angezeigt.

Diese Funktion ist bereits ab Werk auf den für den gelieferten Antrieb definierten Wert voreingestellt.

	Schiebetor, CHSL400
--	---------------------

Weitere Einstellungen sind auf Anfrage erhältlich:

	Keine Anwendung ausgewählt
--	----------------------------

Die Werte 02-05 sind für die CHSL-Anwendung nicht geeignet und dürfen nicht gewählt werden.

7.4.2 Bewegungsrichtung Motoreinstellungen



Richtung der Motorfunktion wird auf dem Display angezeigt

Legt die Bewegungsrichtung des Motors fest.

	Der Motor wird auf der linken Seite montiert (Standard).
	Der Motor wird auf der rechten Seite montiert.

7.4.3 Endpositionen Einlernen



Bevor die Lernphase gestartet werden kann, müssen die Vorbereitungen für das Lernen der Endlage getroffen werden, wie im Abschnitt Endschalterposition einrichten beschrieben.

Vergewissern Sie sich, dass die Endlagen überprüft wurden und die Tür in der mittleren Position steht, um die Grenzwertlernphase zu starten.

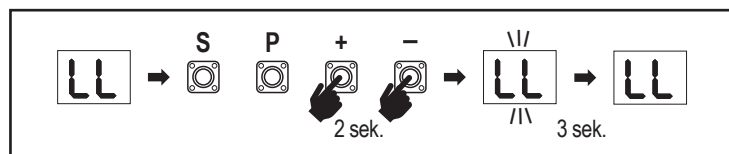
Stellen Sie vor Beginn einer Lernphase Folgendes sicher:

1. Andere Grundeinstellungen sind abgeschlossen
2. Magnete sind montiert und funktionieren korrekt
3. Die erste Bewegung erfolgt in Richtung **ZU**.

Verfügbare Lernmethoden:ing methods:

Standard-Lernmodus (automatisch)

1. ÖFFNEN Sie das Menü LL.
2. Halten Sie die Tasten „+“ and „-“ 2 Sekunden lang gedrückt.
3. Der automatische Lernprozess beginnt. LL blinkt während des gesamten Vorgangs auf dem Display.
4. Das Tor fährt in **ZU**-Richtung bis zum Erreichen des **ZU**-Endschalters und stoppt für 2 Sekunden, dann fährt es in **AUF**-Richtung.
5. Das Tor fährt in Richtung **AUF**, bis der Endschalter erreicht ist.
6. Das Tor fährt in Richtung **ZU**, bis der Endschalter ZU erreicht ist, und stoppt.
7. Die Standard-Lernphase ist abgeschlossen. LL erscheint auf dem Display und die Steuerplatine kehrt nach 3 Sekunden in den Stand-by-Modus zurück.



Die folgenden Einstellungen werden im Standard-Lernmodus vorgenommen:

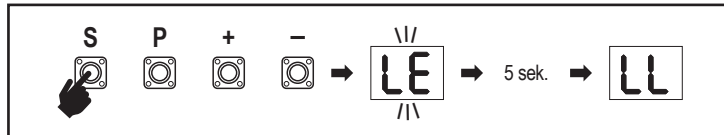
1. Hublänge von der Stellung **KOMPLETT ZU** bis **KOMPLETT AUF**.
2. Öffnungs- und Schließkraft.
3. Für Soft Stop sind 60 cm Fahrweg in beide Richtungen vorgesehen.

7. PROGRAMMIERUNG

HINWEIS: Um die Lernphase zu beenden, drücken Sie die Taste „S“. Der Lernvorgang wird unterbrochen, auf der LED-Anzeige blinkt „LE“. Nach 5 Sekunden erscheint „LL“ auf dem Display und zeigt damit an, dass die Lernphase wieder beginnen kann.

Wenn der Lernprozess nicht abgeschlossen wurde, muss er erneut durchgeführt werden.

ACHTUNG: Die Lernphase muss abgeschlossen sein, um den Betrieb zu ermöglichen.



7.5 Standby Modus

Nach dem Einschalten der Steuerplatine und dem Abschluss der Programmierung leuchtet die LED-Anzeige 2 Sekunden lang vollständig auf und geht dann in den Stand-by-Modus über. Im Standby-Modus zeigt die LED-Anzeige den aktuellen Torstatus an.

	Ein Motor
Motor öffnet sich, oberer Abschnitt der Anzeige blinkt.	
Motor bleibt in der Öffnungsposition des Endschalters stehen, oberer Abschnitt der Anzeige leuchtet.	
Motor schließt, unterer Abschnitt der Anzeige blinkt.	
Motor bleibt in der geschlossenen Position des Endschalters stehen, unterer Abschnitt der Anzeige leuchtet.	
Der Motor bleibt in der Mitte stehen, die Mitte des Displays ist eingeschaltet.	

Damit sind die Grundeinstellungen abgeschlossen. Sie können die Programmierung verlassen und Ihr Tor bedienen oder mit den erweiterten Einstellungen fortfahren.

7. PROGRAMMIERUNG

7.6 Programmierung und Löschung von Handsender, Funkzubehör und myQ-Geräten

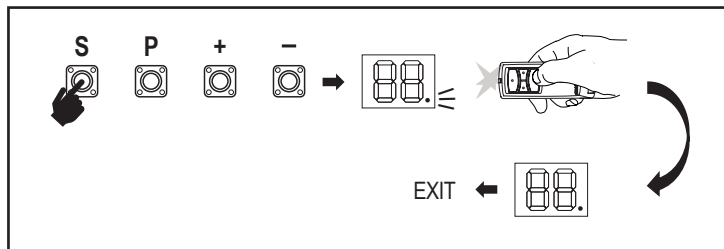
Programmieren Sie Fernbedienungsgeräte (Handsender und drahtlose Wandbedienungen):

HINWEIS: Die mit dem Antrieb gelieferten Fernbedienungen sind bereits ab Werk auf den Antrieb eingelernt (oberste Taste in der Nähe der LED) und müssen nicht extra programmiert werden.

1. Taste „S“ drücken und loslassen. Ein LED-Spot LEUCHTET im Display auf. Der Operator bleibt 3 Minuten lang im Programmiermodus des Radios. Jedes Funkzubehörgerät kann innerhalb der ersten 30 Sekunden eingelernt werden. In den verbleibenden 2,5 Minuten können nur myQ-Geräte eingelernt werden.
2. Wählen Sie die gewünschte Taste an Ihrem Handsender und halten Sie sie gedrückt, bis der Punkt im Display erlischt.

Drücken Sie die Taste „S“, um den Programmiermodus des Radios zu verlassen.

Um eine Funktastatur zu programmieren, folgen Sie bitte dem entsprechenden Handbuch des Zubehörs.



Programmieren des Senders bei teilweiser Öffnung

Halten Sie die Tasten „S“ und „+“ gleichzeitig gedrückt, bis der LED-Punkt zu blinken beginnt. Halten Sie die gewünschte freie Taste am Handsender gedrückt, um den Teilöffnungsmodus zu programmieren.

Der LED-Punkt schaltet sich aus, wenn die Programmierung abgeschlossen ist. Wenn ein Licht mit dem SPEC-Kontakt verbunden ist, blinkt es einmal.

Programmieren Sie das myQ-Gateway (830REV-01):

1. Verbinden

Schließen Sie das mit dem Gateway gelieferte Ethernet-Kabel (1) an den Router (2) an und verwenden Sie den für Ihr Land gültigen Stecker (nicht alle Modelle). Schließen Sie das Internet-Gateway (4) an die Stromversorgung (3) an; wenn das Internet-Gateway eine Verbindung zum Internet herstellt, hört das grüne Licht (5) auf zu blinken und leuchtet dauerhaft. Für den Betrieb von myQ ist ein angeschlossener Satz von IRs erforderlich.

2. Ein Konto erstellen

Laden Sie die kostenlose myQ App aus dem App Store oder Google Play Store herunter und erstellen Sie ein Konto. Wenn Sie bereits ein Konto haben, verwenden Sie Ihren Benutzernamen und Ihr Kennwort.

3. Registrieren des Internet-Gateways

Geben Sie die Seriennummer ein, die sich auf der Unterseite des Internet-Gateways befindet, wenn Sie dazu aufgefordert werden.

4. myQ-Geräte hinzufügen

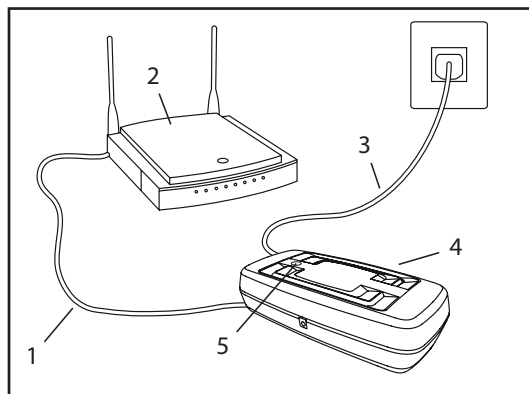
Um Ihren Antrieb zu dem registrierten Gateway hinzuzufügen, folgen Sie den Anweisungen in der App. Beim Hinzufügen eines neuen myQ-fähigen Antriebs die Taste „S“ auf der Steuerplatine des Antriebs drücken und loslassen. In der Anzeige der Steuerplatine leuchtet ein LED-Spot auf.

Hinweis: Nachdem Sie ein Gerät hinzugefügt haben, leuchtet das blaue Licht am Internet-Gateway auf und bleibt eingeschaltet. Drücken Sie die Taste „S“ auf der Steuerplatine des Antriebs, um den Funkprogrammiermodus zu verlassen.

5. Test

Nach der korrekten Montage und Registrierung können Sie nun die folgenden Funktionen testen: Öffnen oder Schließen des Tores, Abfrage des Status Tor AUF oder Tor GESCHLOSSEN.

Für weitere Funktionen siehe www.chamberlain.eu



Löschen von Funksteuergeräten (Handsendern, Funk-Wandtaster, Codeschlösser):

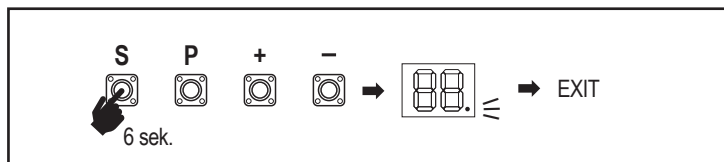
Halten Sie die Taste „S“ für > 6 Sekunden gedrückt. Alle Funksteuergeräte (Handsender, Wandbedienungen, Tastaturen) werden gelöscht. Der LED-Punkt im Display schaltet sich aus.

Hinweis: Es ist nicht möglich, Funksteuergeräte einzeln zu löschen.

myQ-Geräte löschen:

1. Löschen Sie zuerst die Fernsteuerungsgeräte wie oben beschrieben.
2. Drücken und halten Sie innerhalb der nächsten 6 Sekunden die Taste „S“. Ein LED-Spot LEUCHTET im Display auf.
3. Halten Sie die Taste „S“ für > 6 Sekunden gedrückt. Alle myQ-Geräte werden gelöscht. Der LED-Punkt im Display schaltet sich aus.

HINWEIS: Es ist nicht möglich, myQ-Geräte einzeln zu löschen. Es ist nicht möglich, nur myQ-Geräte zu löschen.



7. PROGRAMMIERUNG

7.7 Erweiterte Einstellungen

Hiermit beginnen Sie mit den erweiterten Einstellungen.

7.7.1 Übersicht Erweiterte Einstellungen

LED		Funktion
	tr	Handsender
	r1	Lichtschanke IR1
	r2	Lichtschanke IR2
	r3	Lichtschanke IR3
	i1	Befehl Eingabe 1
	i2	Befehl Eingabe 2
	i3	Befehl Eingabe 3
	Pd	Teilöffnung
	tC	Automatisches Schließen (TTC)
	rt	Umkehrzeit nach Aufschlag
	EL	E-Lock

LED		Funktion
	FL	Blinkleuchte
	PF	Vorblinken
	SP	Spezieller Kontakt
	St	STARTgeschwindigkeit in ÖFFNUNGS- und SCHLIESSrichtung
	Cn	Wartungszähler
	Fd	Werkseinstellung
	FE	Fertigstellen und Beenden

7.7.2 Handsendereinstellungen

Die Handsender-Funktion legt fest, wie die Handsender-Befehle funktionieren. **Hinweis:** Bei den Einstellungen „01“, „02“ und „03“ wird der TTC-Timer durch einen Handsender-Befehl übersteuert und das Tor wird geschlossen. Bei der Einstellung „04“ wird der aktive TTC-Timer-Countdown durch den Handsender-Befehl wieder auf Start gesetzt.

	Wohnmodus: AUF – ZU – AUF
	Standardmodus: AUF – Stop – ZU – Stop – AUF (Standard)
	Automatisch mit Stoppmodus: AUF – Stop – ZU – AUF
	Parkmodus: Offen, um die Position Offen zu vervollständigen. Zusätzliche Befehle während des Öffnens werden ignoriert

7.7.3 Einstellungen der Infrarot-Lichtschanken

IR-Funktionen definieren die Funktionsweise von Infrarot-Lichtschanken (IR). Die IRs werden bei der Montage automatisch eingelernt. Jedes der 3 IR-Sets kann individuell programmiert werden.

HINWEIS: Abhängig von den gewählten Einstellungen werden die Teilöffnungseingänge oder Fernbedienungsbefehle in Richtung AUF oder ZU nicht ausgeführt, wenn der IR-Strahl behindert wird.

Wenn die IRs entfernt werden, muss die Steuerplatine zwei Mal AUS/EIN geschaltet werden, um den Lernvorgang zu beenden.

Für die Kontrolle und Wartung der Fotozellen siehe das Handbuch der Fotozellen.

	IR aktiv bei ZU-Bewegung. Wenn der IR-Strahl behindert wird, kehrt das Tor in die vollständig geöffnete Position zurück (Standard).
	IR aktiv bei AUF-Bewegung. Wenn der IR-Strahl unterbrochen wird, stoppt das Tor. Wenn das Hindernis verschwindet, ÖFFNET sich das Tor weiter.
	IR ist bei der AUF- und ZU-Bewegung aktiv. Wenn der IR-Strahl bei der ZU-Bewegung behindert wird, stoppt das Tor und nachdem das Hindernis verschwunden ist, kehrt das Tor in die vollständige AUF-Position zurück. Wenn der IR-Strahl bei der AUF-Bewegung behindert wird, stoppt das Tor. Wenn das Hindernis verschwindet, ÖFFNET sich das Tor weiter.
	IR aktiv bei ZU-Bewegung. Wenn der IR-Strahl behindert wird, kehrt das Tor in die vollständig geöffnete Position zurück: Die aktivierte TTC-Funktion wird 2 Sekunden nach Beseitigung des Strahlenhindernisses außer Kraft gesetzt und startet die ZU-Bewegung, ohne das Ende der TTC-Zeit abzuwarten.

7.7.4 Befehlsgebereinstellungen

Die Funktion Eingänge legt fest, wie Eingangsbefehle von externem Zubehör ausgeführt werden. Jeder der 3 Eingänge kann individuell programmiert werden.

HINWEIS: Bei den Einstellungen "01", „02“ und „03“ wird der TTC-Timer durch einen Eingangsbefehl übersteuert und das Tor wird geschlossen. Bei der Einstellung „06“ wird ein aktiver TTC-Timer-Countdown durch einen Eingangsbefehl wieder auf Start gesetzt.

7. PROGRAMMIERUNG

01	AUF – ZU – AUF
02	AUF – Stop – ZU – Stop – AUF (Standard)
03	AUF – Stop – ZU – AUF
04	Teilöffnung
05	STOP (NC-Kontakt)

7.7.5 Teilöffnung Motor

Pd

Die Teilöffnung ermöglicht es Ihnen, den Gangflügel nur bis zu einem bestimmten Wert zu öffnen.

HINWEIS: Der Pd-Befehl wird ab der Schließendstellung und während der Schließbewegung ausgeführt. Wird ein Pd-Befehl aus einer vollständig AUF-Position ausgeführt, schließt das Tor. Ein AUF- oder Handsender-Befehl hat immer Vorrang vor dem Pd-Befehl.

01	1,5 m Öffnungsweg
02	2 m Öffnungsweg (Standard)
03	3 m Öffnungsweg

Programmieren des Senders bei teilweiser Öffnung

1. Die Tasten „S“ und „+“ auf der Steuerplatine gleichzeitig drücken und gedrückt halten, bis der LED-Punkt zu blinken beginnt.
2. Halten Sie die gewünschte freie Taste am Handsender gedrückt, um den Teilöffnungsmodus zu programmieren.
3. Der LED-Punkt schaltet sich aus, wenn die Programmierung abgeschlossen ist. Wenn ein Licht mit dem SPEC-Kontakt verbunden ist, blinkt es einmal.

7.7.6 Automatisches Schließen (TTC)

tc

Die Funktion Automatisches Schließen (TTC) ermöglicht das automatische Schließen des Tores aus einer vollständigen OFFEN-Position nach einer voreingestellten Zeitspanne. Es muss mindestens ein Paar Chamberlain Infrarot-Lichtschranken (IR) zur Überwachung der Schließbewegung montiert werden, um den TTC-Betrieb zu ermöglichen. TTC wird nicht funktionieren, wenn Lichtschranken nur die Öffnungsbewegung schützen.

TTC funktioniert auch mit aktivierter Teilöffnung. Wenn die TTC-Funktion aktiv ist, der Timer herunterzählt und die IR-Strahlen unterbrochen werden, muss der TTC-Timer neu gestartet werden.

00	TTC nicht aktiv (Standard)	05	1 Minute
01	10 Sekunden	06	1,5 Minuten
02	20 Sekunden	07	2 Minuten
03	30 Sekunden	08	3 Minuten
04	45 Sekunden	09	5 Minuten

7.7.7 Reversierungsverhalten bei Hinderniserkennung

rt

Die Funktion Reversierung bei Hindernis definiert das Reversierungsverhalten nach Erkennung eines Hindernis während der Schließ- oder Öffnungsbewegung. Dieses Reversierungsverhalten gilt sowohl für die Motorkrafterkennung als auch für die Kontakteistenanwendung.

01	2 Sekunden Reversierung und Stopp
02	Reversierung bis zur Endlage (Standard)
03	Während der Schließbewegung kehrt das Tor bei der Hinderniserkennung in die offene Position zurück. Während der Öffnungsbewegung reversiert das Tor bei der Hinderniserkennung für 2 Sekunden und stoppt.

7.7.8 Elektroschloss /Magnetschloss Einstellungen

EL

Die Elektroschloss-Funktion definiert das Verhalten von Elektroschloss/Magnetschloss. 24 VDC - 500 mA Elektroschloss/Magnetschloss können angeschlossen werden.

00	Elektroschloss/Magnetschloss nicht montiert (Standard)
01	Elektroschloss aktiv für 1 Sekunde vor dem Motor 1 Start in Aufwärtsrichtung
02	Elektroschloss aktiv für 2 Sekunden vor dem Motor 1 Start in Aufwärtsrichtung
03	Magnetschloss, ständig aktiv beim GESCHLOSSENEM Tor; ständig inaktiv bei AUF- und ZU-Bewegung, Tor AUF oder STOP-Position. Magnetschloss wird im Batterie-Backup-Modus deaktiviert.

7.7.9 Einstellungen der Blinkleuchte

FL

Mit der Funktion Blinklicht können Sie auswählen, welche Art von Blinklampe angeschlossen ist. 24VDC- max 500 mA Blinkleuchte (FLA1-LED) kann angeschlossen werden.

00	keine Blinkleuchte montiert (Standard)
01	24V-Dauerversorgung - für Blinkleuchte mit eigener Steuerplatine (FLA1-LED)
02	unterbrochene 24V-Versorgung - für Blinkleuchte ohne eigene Steuerplatine

7.7.9a Vorblinken

PF

Die Vorblinkfunktion definiert das Zeitintervall des Vorblinkens der Blinkleuchte vor der Torbewegung. Funktion nicht aktiv, wenn Blinkleuchte (FL) Funktion auf „00“ eingestellt ist.

00	kein Vorblinken (Standard)	03	3 Sekunden
01	1 Sekunde	04	4 Sekunden
02	2 Sekunden	05	5 Sekunden

7.7.10 Relais-Kontakt Einstellungen (SPEC)

SP

Die SPEC-Kontakt Funktion definiert die Aktivierungszeit des Relais. Ein 24-V-Relais mit max. 500 mA kann angeschlossen werden, um andere Geräte zu steuern, z. B. die Beleuchtung. Die hier eingestellte Zeit steuert auch den Countdown für das myQ-Licht.

00	keine Aktivierung (Standard)	05	1,5 Minuten
01	15 Sekunden	06	2 Minuten
02	30 Sekunden	07	3 Minuten
03	45 Sekunden	08	4 Minuten
04	1 Minute	09	5 Minuten

7. PROGRAMMIERUNG

7.7.11 Startgeschwindigkeit in Öffnungs- und Schließrichtung

St

Die Funktion Startgeschwindigkeit ermöglicht das EIN- und AUS-Schalten des Soft-Starts in AUF- und ZU-Richtung.

00	Deaktiviert (Standard)
01	Soft Start aktiv: Der Motor beschleunigt allmählich, bis er die Standardgeschwindigkeit erreicht.

7.7.12 Wartungszähler

Cn

Die Funktion Wartungszähler ermöglicht die Einstellung des Wartungsintervalls in Zyklen. Das 4-sekündige Vorblinken der Blinkleuchte signalisiert, dass das Intervall erreicht ist. Wenn die PF-Funktion (Vorblinken) aktiviert ist, werden 4 Sekunden Vorblinken zur eingestellten Zeit hinzugezählt. Um den Zähler nach der Wartung zurückzusetzen, genügt es, die Zyklen noch einmal zu programmieren.

00	kein Zähler (Standard)	02	2000 Zyklen
01	1000 Zyklen Zyklen
		20	20000 Zyklen

7.8 Werkseinstellung

Fd

Mit der Funktion Werkseinstellung wird die Steuerplatine auf die ursprünglichen Werkseinstellungen zurückgesetzt. Alle Einstellungen, einschließlich der Grenzwerteinstellungen, werden gelöscht. Auf der LED-Anzeige wird „E0“ angezeigt. Programmierte Fernbedienungen bleiben eingelernt. Wenn das Zubehör der Fernbedienung gelöscht werden muss, lesen Sie den entsprechenden Abschnitt zur Programmierung der Funksteuerung in diesem Handbuch.

00	Kein Reset (Standard)
01	Auf die Werkseinstellungen zurücksetzen

7.9 Fertigstellen und Beenden

FE

Um die Programmierphase zu verlassen und alle Änderungen zu speichern, gehen Sie zur Funktion FE und drücken Sie die Taste „P“. Die Steuerplatine geht in den Standby-Modus und ist betriebsbereit.

Es gibt auch andere Möglichkeiten, die Programmierung zu verlassen und Einstellungen zu speichern:

- Drücken und halten Sie die Taste „P“ für 5 Sekunden
- Warten Sie 3 Minuten nach den letzten Änderungen in der Programmierung für die automatische Beendigung

8. BATTERIE-BACKUP

Batterie-Backup-Modus (BBU)

bU

Optionale 12V, 2.2Ah Bleibatterien SKU 490EV (optional, nicht im Lieferumfang enthalten) können im Gehäuse des Antriebs montiert werden.

Befolgen Sie das Handbuch der SKU Nr. 490EV für die genaue Montage.

Eine Blinkleuchte (falls montiert) blinkt alle 10 Minuten 2 Sekunden lang und zeigt damit den BBU-Modus und den Stromausfall an. Die Steuerplatine schaltet in den Stand-by-Modus mit aktivem Funkempfänger, der nur Befehle von Funksteuergeräten annimmt. Alle anderen Zubehörteile und Peripheriegeräte sind nicht funktionsfähig. Im Batterie-Backup-Modus werden die myQ Smartphone-Steuerung und die drahtlosen myQ-Geräte deaktiviert. Die Kapazität voll aufgeladener Batterien muss bis zu ~20 Zyklen bei einer Rate von 2 pro Stunde unterstützen. Nach 24 Stunden im BBU-Betrieb muss die Batterie Strom für einen vollständigen Öffnungs- und Schließzyklus liefern.

Bitte beachten Sie, dass nur die angegebene Batterie verwendet werden kann. Die Verwendung einer anderen Batterie führt zum Verlust der Garantie und der Haftung von Chamberlain für Schäden, die durch die Verwendung nicht spezifizierter Batterien entstehen.

9.FEHLERCODES

LED	Fehlercode	Problem	Mögliche Ursache	Lösung
E0	E0	Handsender gedrückt, aber keine Torbewegung	AP ist auf 00 eingestellt	Prüfen Sie, ob AP auf 00 eingestellt ist. Wenn ja, ändern Sie die Einstellung für die richtige Anwendung.
E1	E1	Das Tor lässt sich nicht schließen, kann sich aber öffnen.	1) IR1 ist nicht angeschlossen, oder das Kabel ist durchtrennt. 2) Die Leitung IR1 ist kurzgeschlossen oder verkehrt herum angeschlossen. 3) IR1 ist für einen Moment nicht ausgerichtet oder blockiert.	1) Prüfen Sie, ob IR1 nicht angeschlossen ist oder ob das Kabel durchtrennt ist. 2) Prüfen Sie die IR1-Verbindung, tauschen Sie ggf. die Drähte aus. 3) Richten Sie Handsender und -Empfänger so aus, dass beide LEDs leuchten, anstatt zu blinken. Vergewissern Sie sich, dass nichts am Tor hängt, was die Infrarotstrahlung blockieren könnte.
E2	E2	Das Tor kann schließen, wenn es an der Öffnungsgrenze ist, aber nicht öffnen, wenn es an der Schließgrenze ist.	1) IR2 ist nicht angeschlossen, oder das Kabel ist durchtrennt. 2) Die Leitung IR2 ist kurzgeschlossen oder verkehrt herum angeschlossen. 3) IR2 ist für einen Moment nicht ausgerichtet oder blockiert.	1) Prüfen Sie, ob IR2 nicht angeschlossen ist oder ob das Kabel durchtrennt ist. 2) Prüfen Sie die IR2-Verbindung, tauschen Sie ggf. die Drähte aus. 3) Richten Sie Handsender und -Empfänger so aus, dass beide LEDs leuchten, anstatt zu blinken. Vergewissern Sie sich, dass der Infrarotstrahl nicht blockiert ist.
E3	E3	Handsender gedrückt, aber keine Torbewegung	1) IR3 ist nicht angeschlossen, oder das Kabel ist durchtrennt. 2) Die Leitung IR3 ist kurzgeschlossen oder verkehrt herum angeschlossen. 3) IR3 ist für einen Moment nicht ausgerichtet oder blockiert.	1) Prüfen Sie, ob IR3 nicht angeschlossen ist oder ob das Kabel durchtrennt ist. 2) Prüfen Sie die IR3-Verbindung, tauschen Sie ggf. die Drähte aus. 3) Richten Sie Handsender und -Empfänger so aus, dass beide LEDs leuchten, anstatt zu blinken. Vergewissern Sie sich, dass nichts am Tor hängt, was in kurzer Zeit eine IR-Blockierung verursachen könnte.
E4	E4	Handsender gedrückt, aber keine Torbewegung	1) Die Sicherheitsleiste ist nicht mit dem 8,2-kOhm-Widerstand verbunden. 2) Der Sicherheitsleistendraht ist kurzgeschlossen. 3) Die Sicherheitsleiste ist gedrückt.	1) Überprüfen Sie, ob die 8,2 kOhm-Sicherheitsleiste richtig angeschlossen ist oder ob der 8,2 kOhm-Widerstand installiert ist. 2) Überprüfen Sie die Drähte der Sicherheitsleiste und tauschen Sie sie bei Bedarf aus. 3) Überprüfen Sie, ob die Sicherheitsleiste gedrückt ist.
E5	E5	Handsender gedrückt, aber keine Torbewegung	1) Der STOP-Schalter ist geöffnet. 2) STOP-Schalter ist nicht angeschlossen.	1) Prüfen Sie, ob der STOP-Schalter offen oder beschädigt ist. 2) Prüfen Sie, ob der STOP-Schalter abgeklummt ist. Wenn ja, dann schließen Sie den STOP-Schalter wieder an oder ändern Sie die entsprechende Eingangseinstellung auf einen anderen Wert.
E6	E6	Fehlermagnet	1) Der Magnetschalter ist nicht angeschlossen oder falsch angeschlossen. 2) Der Magnet blockiert den Schalter oder die Sicherung ist defekt.	1) Überprüfen Sie, ob der Magnetschalter richtig angeschlossen ist. Wenn nicht, reparieren Sie die Verbindung. 2) Prüfen Sie, ob die Magnete vom Schalter blockiert werden oder die Sicherung defekt ist.
E7	E7	Handsender gedrückt, aber keine Torbewegung	Verstärker der Steuerplatine für Motor 1 ausgefallen.	Schalten Sie den Strom für 20 Sekunden aus und setzen Sie ihn zurück, um zu prüfen, ob die Steuerplatine wieder funktioniert. Wenn nicht, Steuerplatine wechseln.
E9	E9	Handsender gedrückt, aber keine Torbewegung	Fehler im Speicher der Steuerplatine.	Schalten Sie den Strom für 20 Sekunden aus und setzen Sie ihn zurück, um zu prüfen, ob die Steuerplatine wieder funktioniert. Wenn nicht, Steuerplatine wechseln.
F1	F1	Motorstopp und Rücklauf beim Öffnen oder Schließen.	Der Motor ist blockiert.	Prüfen und beseitigen Sie die Verstopfung. Sauberes Tor.
F3	F3	Motorstopp und Rücklauf beim Öffnen oder Schließen.	Der Motor ist blockiert oder der Drehzahlsensor ist beschädigt.	Prüfen Sie, ob der Motor 1 blockiert oder der Geschwindigkeitssensor beschädigt ist.
F5	F5	Drücken Sie den Handsender, aber der Motor bewegt sich nicht.	Funkmodul defekt.	Schalten Sie den Strom für 20 Sekunden aus und setzen Sie ihn zurück, um zu prüfen, ob die Steuerplatine wieder funktioniert. Wenn nicht, Steuerplatine wechseln.
F6	F6	Umkehrung des Tors beim Schließen.	Niedriger Batteriestand.	Batterie aufladen.
F7	F7	Handsender gedrückt, aber keine Torbewegung	Steuerplatine beschädigt.	Schalten Sie den Strom für 20 Sekunden aus und setzen Sie ihn zurück, um zu prüfen, ob die Steuerplatine wieder funktioniert. Wenn nicht, Steuerplatine wechseln.
F9	F9	Drücken Sie den Sender oder den Taster, aber der Motor reagiert nicht.	Das AP-Menü wird auf die Werkseinstellungen zurückgesetzt.	Grenzen neu setzen.
LE	LE	Der Motor bleibt plötzlich stehen.	Drücken Sie die Taste C während des Grenzwertlernens.	Grenzen neu setzen.

10. TECHNISCHE SPEZIFIKATIONEN

		CHSL400EVC
Eingangsspannung	VAC	220-240
Eingangsfrequenz	Hz	50/60
Motorspannung	VDC	24V
Standby-Verbrauch (ohne Zubehör)	W	4,45
Nennleistung	W	110
Nennlast	Nm	3,6
Zyklen pro Stunde		5
Max. Zyklen pro Tag		20
Max. Torgewicht	kg	400
Max. Torbreite und -höhe	m	4
Max. Öffnungsgeschwindigkeit	mm/s	160
Maximales Drehmoment	Nm	12
Endlimit-System		Magnetschalter
Betriebsfrequenz	MHz	RX 433MHz (433.30MHz, 433.92MHz, 434.54MHz) RX 868MHz (868.30MHz, 868.95MHz, 869.85MHz) TX 865.125MHz, 865.829MHz, 866.587MHz
Sendeleistung		< 10 mW
Code		Security+ 2.0
Max. Anzahl der Fernbedienungen		180
Max. Anzahl von Tastenfeldern		4
Max. Anzahl der myQ-Geräte		16
Externe Stromversorgung für Zubehör		24VDC - max. 500mA
Anschluss für Blinkleuchte		24VDC - max. 500mA
E-Lock /Magnetischer Lock-Anschluss		24VDC - max. 500mA
Externes Relais		24VDC - max. 500mA
Sicherheitsleiste		8,2 kOhm
Max. Anzahl der IRs		3
Max. Anzahl der externen Eingänge		3
Batterie-Backup-Einheit		2 x 12V, 2.2Ah Batterien SKU 490EV
Schutz vor Eindringen in den Motor	IP	44
Lärmpegel	dB	< 70 db(A)
Betriebstemperatur	°C	-20°C bis +55°C
Gewicht (Kit)	Kg	12
Handsenderfrequenz		868MHz (868.30MHz, 868.95MHz, 869.85MHz)
Sendeleistung	TX4REV-F	<10 mW
Batterie		CR2032 3V

11. WARTUNG

Batterien in der Fernbedienung austauschen

Batterie der Fernbedienung:

Die Batterien in der Fernbedienung haben eine extrem lange Lebensdauer. Wenn die Reichweite abnimmt, müssen die Batterien ausgetauscht werden. Batterien fallen nicht unter die Garantie.

Bitte beachten Sie die folgenden Hinweise zur Batterie:

Batterien sollten nicht als Hausmüll behandelt werden. Alle Benutzer sind gesetzlich verpflichtet, Batterien an den dafür vorgesehenen Sammelstellen ordnungsgemäß zu entsorgen. Laden Sie niemals Batterien auf, die nicht zum Aufladen bestimmt sind.

Explosionsgefahr!

Halten Sie Batterien von Kindern fern, schließen Sie sie nicht kurz und nehmen Sie sie nicht auseinander. Suchen Sie sofort einen Arzt auf, wenn eine Batterie verschluckt wurde. Reinigen Sie ggf. die Kontakte der Batterie und der Geräte vor dem Laden. Entfernen Sie leere Batterien sofort aus dem Gerät!

Erhöhte Gefahr des Auslaufens!

Setzen Sie Batterien niemals übermäßiger Hitze wie Sonnenschein, Feuer oder Ähnlichem aus!

Es besteht eine erhöhte Gefahr des Auslaufens!

Vermeiden Sie den Kontakt mit Haut, Augen und Mund. Spülen Sie die von der Batteriesäure betroffenen Stellen mit reichlich kaltem Wasser ab und suchen Sie sofort einen Arzt auf. Verwenden Sie nur Batterien desselben Typs. Nehmen Sie die Batterien heraus, wenn das Gerät längere Zeit nicht benutzt wird.

Austausch der Batterie:

Um die Batterie zu wechseln, drehen Sie die Fernbedienung um und öffnen Sie das Gehäuse mit einem Schraubenzieher. Heben Sie die Abdeckung und die Steuerplatine darunter an. Schieben Sie die Batterie zur Seite und nehmen Sie ihn heraus. Achten Sie auf die Polarität der Batterie! In umgekehrter Richtung wieder zusammenbauen.

ACHTUNG!

Es besteht Explosionsgefahr, wenn die Batterie unsachgemäß ausgetauscht wird. Ersatz nur durch identischen oder gleichwertigen Typ (CR2032) 3V.

VORSICHT

Es besteht Explosionsgefahr, wenn eine Batterie des falschen Typs eingesetzt wird.

Batterien nicht verschlucken; Verätzungsgefahr.

Dieses Produkt enthält eine Münzbatterie. Wenn sie verschluckt werden, können Knopf- und Münzbatterien zu Verletzungen oder zum Tod führen.

WARNUNG

- Bewahren Sie Batterien außer Sichtweite und außerhalb der Reichweite von Kindern auf; Knopf- und Münzbatterien können für Kinder gefährlich sein.
- Entsorgen Sie verbrauchte Knopf- und Münzbatterien sofort. Verwenden Sie keine defekten / verschluckten Batterien.
- Prüfen Sie regelmäßig, ob das Batteriefach sicher ist und verwenden Sie es nicht mehr, wenn es defekt ist.
- Wenn Sie glauben, dass eine Batterie verschluckt wurde oder sich anderweitig im Körper befindet, suchen Sie unverzüglich ärztliche Hilfe auf.



Der Antriebsmechanismus

Der Antriebsmechanismus ist wartungsfrei. Prüfen Sie in regelmäßigen Abständen (monatlich), ob die Torbeschläge und der Antrieb sicher befestigt sind. Lassen Sie den Antrieb los und prüfen Sie, ob das Tor ordnungsgemäß funktioniert. Wenn das Tor nicht leichtgängig ist, funktioniert es nicht richtig mit dem Antrieb. Der Antrieb kann die Probleme, die durch ein nicht korrekt funktionierendes Tor entstehen, nicht beseitigen.


Endschaltereinstellung und Kraftregelung


Diese Einstellungen müssen bei der Montage des Öffners überprüft und korrekt vorgenommen werden! Aufgrund von Witterungseinflüssen können während des Betriebs des Öffners kleinere Veränderungen auftreten, die durch eine neue Einstellung behoben werden müssen. Dies kann insbesondere im ersten Betriebsjahr der Fall sein. Befolgen Sie die Anweisungen zum Einstellen der Wegbegrenzungen und der Kraft (siehe Abschnitt Grenzwertlernen der Begrenzungen, Seite 11 und 12) sorgfältig und überprüfen Sie die automatische Sicherheitsumkehr nach jeder Rückstellung erneut!

Demontage

WICHTIGER Hinweis! Beachten Sie die Sicherheitshinweise. Siehe "Sicherheitshinweise" (Seite 2 und 3). Die im Abschnitt „Montage“ beschriebene Reihenfolge, jedoch in umgekehrter Reihenfolge. Ignorieren Sie die Einrichtungsanweisungen.

12. ENTSORGUNG

 Unsere Elektro- und Elektronikgeräte dürfen nicht mit dem Hausmüll entsorgt werden und müssen nach Gebrauch ordnungsgemäß gemäß der WEEE-Richtlinie der EU entsorgt werden: 2012/19/EU über Elektro- und Elektronikaltgeräte, um sicherzustellen, dass die Materialien recycelt werden. Die getrennte Sammlung von Elektroaltgeräten bedeutet eine umweltgerechte Entsorgung und ist für den Verbraucher völlig kostenlos. WEEE-Reg.-Nr. in Deutschland: DE66256568. Verpackungsmüll, der beim Endverbraucher verbleibt, muss gemäß der Richtlinie getrennt vom gemischten Abfall gesammelt werden. Die Verpackungen dürfen nicht über den Hausmüll, den Biomüll oder in der Natur entsorgt werden. Das Verpackungsmaterial muss nach seinem Material getrennt und in den dafür vorgesehenen Recycling-Behältern sowie in bestimmten kommunalen Recycling-Tonnen entsorgt werden.

 Unsere Batterien werden in Übereinstimmung mit den gesetzlichen Bestimmungen vermarktet. Die „durchgestrichene Mülltonne“ bedeutet, dass Batterien nicht mit dem Hausmüll entsorgt werden dürfen. Im Produkt enthaltene Batterien (technische Daten). Um Umwelt- und Gesundheitsschäden zu vermeiden, müssen Altbatterien zur geregelten Entsorgung an den kommunalen Wertstoffhöfen oder über die Durchkontaktierung im Handel zurückgegeben werden, wie es das Gesetz vorschreibt. Batterien dürfen nur in vollständig entladenen Zustand und bei Lithiumbatterien mit überklebten Polen zur Entsorgung gebracht werden. Die Batterien können zur Entsorgung einfach aus unseren Geräten entnommen werden. Registrierungsnummer in Deutschland: 21002670.

13. GARANTIE

Ihre gesetzlichen Rechte werden durch diese Herstellergarantie nicht berührt. Die Laufzeiten der Garantie entnehmen Sie bitte www.chamberlain.eu.

14. KONFORMITÄTSERKLÄRUNG

Das Handbuch besteht aus dieser Betriebsanleitung und der Konformitätserklärung.

Der Funkgerätetyp (TX4REV-F) entspricht der Richtlinie 2014/53/EU und für Großbritannien der Funkgeräteverordnung SI 2017 Nr. 1209.

Der vollständige Text der EU-Konformitätserklärung ist unter folgender Internetadresse abrufbar: <https://doc.chamberlain.de>

POZNÁMKA:Původní návod k montáži a obsluze byl vyhotoven v anglickém jazyce. Všechny ostatní dostupné jazyky jsou překladem původní anglické verze

1. BEZPEČNOSTNÍ POKYNY A ZAMÝŠLENÉ POUŽITÍ	2
2. ROZSAH DODÁVKY	4
3. POTŘEBNÉ NÁSTROJE.....	4
4. POPIS POHONU.....	4
5. MECHANICKÁ INSTALACE	5
5.1 Rozměry brány a pohonu	5
5.2 Instalace základní desky.....	5
5.3 Mechanismus nouzového uvolnění	5
5.4 Instalace motoru na základní desku	6
5.5 Montáž ozubnice na vrata.....	6
5.6 Elektrické zapojení.....	6
5.7 Nastavení polohy koncového spínače	6
5.8 Přístup k řídicí desce a připojení motoru	7
6. SCHÉMA ZAPOJENÍ.....	8
7. PROGRAMOVÁNÍ.....	9
7.1 Displej, programovací tlačítka a nastavení funkcí	9
7.2 Obecný přehled programování	9
7.3 Směr pohybu křídla.....	10
7.4 Základní nastavení	10
7.4.1 Nastavení aplikace	10
7.4.2 Nastavení směru motoru	10
7.4.3 Učení dorazu	10
7.5 Pohotovostní režim.....	11
7.6 Programování a odstraňování dálkových ovladačů, rádiového příslušenství a zařízení myQ.....	12
7.7 Pokročilá nastavení	13
7.7.1 Pokročilá nastavení přehled	13
7.7.2 Nastavení vysílače.....	13
7.7.3 Nastavení infračervených fotobuněk	13
7.7.4 Vstupní nastavení.....	13
7.7.5 Částečné otevření	14
7.7.6 Časovač pro zavření	14
7.7.7 Doba zpětného chodu po nárazu	14
7.7.8 Nastavení el./mag. zámku	14
7.7.9 Nastavení majáku.....	14
7.7.9a Předblikání.....	14
7.7.10 Zvláštní nastavení kontaktů.....	14
7.7.11 Rychlost spuštění v otevřeném a zavřeném směru.....	15
7.7.12 Počítadlo údržby	15
7.8 Výchozí tovární nastavení	15
7.9 Dokončení a ukončení	15
8. ZÁLOŽNÍ BATERIE	15
9. KÓDY CHYB.....	16
10. TECHNICKÉ ÚDAJE	17
11. ÚDRŽBA	18
12. LIKVIDACE	18
13. ZÁRUKA	18
14. PROHLÁŠENÍ O SHODĚ.....	18

1. BEZPEČNOSTNÍ POKYNY A ZAMÝŠLENÉ POUŽITÍ

O Tomto návodu – Originální návod

Tento návod je originálním návodem k obsluze podle směrnice 2006/42 ES o strojních zařízeních. Pro pochopení důležitých informací o výrobku je třeba si pozorně přečíst návod k použití. Věnujte pozornost bezpečnostním a varovným upozorněním. Návod uschovejte na bezpečném místě, abyste do něj mohli v budoucnu nahlédnout a aby byl k dispozici všem osobám pro účely kontroly, servisu, údržby a oprav. Po montáži předejte kompletní dokumentaci odpovědné osobě/vlastníkovi.

Kvalifikace způsobilého montážního pracovníka

Pouze správná instalace a údržba provedená kompetentním montážním technikem (odborníkem) / kompetentní firmou v souladu s návodem k použití musí být srozumitelná a musí zajistit bezpečnou a zamýšlenou funkci zařízení. Odborníkem je ten, kdo má na základě svého odborného vzdělání a zkušeností dostatečné znalosti v oblasti motorových bran a navíc zná příslušné vnitrostátní předpisy o bezpečnosti práce a obecně uznávaná technologická pravidla v takovém rozsahu, že je schopen posoudit i bezpečný provozní stav motorových bran podle norem ČSN EN 13241, 12604, 12453 (ČSN EN 12635).

Osoba provádějící instalaci musí rozumět následujícím skutečnostem:




Před instalací pohonu zkontrolujte, zda je poháněná část v dobrém mechanickém stavu, zda se správně otevírá a zavírá a zda je případně správně vyvážená. Před prvním použitím a nejméně jednou ročně musí odborník zkontrolovat bezpečný stav motorových bran. Po instalaci musí montážní technik zajistit správné seřízení mechanismu a správnou funkci ochranného systému a případného manuálního uvolnění (EN 13241, EN12604, EN 12453, EN 12635. V souladu s normami musí být prováděna pravidelná údržba a kontrola. Montážní technik musí ostatní uživatele poučit o bezpečném provozu systému pohonu.

Po úspěšné instalaci systému pohonu musí odpovědný montážní technik v souladu s předpisy Směrnice o strojních zařízeních 2006/42/EC. Dodávky strojních zařízení (bezpečnost) 2008 SI 2008 č. 1597, musí vydat CE. Prohlášení o shodě pro vratový systém ve Spojeném království. CE. Na vratový systém musí být připevněn štítek se značkou UKCA. To je povinné i při dodatečné montáži na ručně ovládaná vrata. Dále je třeba vyplnit předávací protokol a knihu kontrol.

Přečtěte si návod k obsluze a zejména bezpečnostní pokyny. Následující symboly jsou umístěny před návodem, aby se předešlo zranění osob nebo poškození majetku. Tento návod si pozorně přečtěte.

Výstražné symboly

Obecný výstražný symbol označuje nebezpečí, které může vést ke zranění nebo úmrtí. V textové části se používají obecné výstražné symboly, jak je popsáno níže.

Symbol NEBEZPEČÍ	Symbol VAROVÁNÍ	Symbol UPOZORNĚNÍ	Symbol POZOR
 NEBEZPEČÍ	 VAROVÁNÍ	 UPOZORNĚNÍ	POZOR
Označuje nebezpečí, které přímo vede k úmrtí nebo vážným zraněním.	Označuje nebezpečí, které může vést k úmrtí nebo vážnému zranění.	Označuje nebezpečí, které může vést k poškození nebo zničení výrobku.	Označuje nebezpečí, které může vést k poškození nebo zničení výrobku.

Zamýšlené použití

Pohon křídlových vrat je konstruován a testován výhradně k ovládní křídlových vrat s plynulým chodem v rezidenčním, nekomerčním sektoru.

Specifikace pro vrata jsou definovány v mechanických požadavcích podle EN12604.

Nesmí být překročena maximální přípustná velikost vrat a maximální hmotnost. Vrata se musí plynule otevírat a zavírat ručně. Pohon používejte na branách, které odpovídají platným normám a pokynům. Při použití dveřních nebo vratových panelů EU je třeba zohlednit regionální podmínky zatížení větrem: EN13241. Dodržujte údaje výrobce týkající se kombinace vrat a pohonu. Možná nebezpečí ve smyslu EN13241 je třeba se vyvarovat konstrukci a instalací dveří/brány podle příslušných pokynů. Tento mechanismus vrat musí být instalován a provozován v souladu s příslušnými bezpečnostními předpisy.

Nesprávné použití

Není určeno k nepřetržitému provozu a použití v komerčních provozech.

Konstrukce systému pohonu není navržena pro provoz bran mimo specifikace výrobce.

Není povoleno na branách, které se pohybují se zvedáním/sklápěním.

Jakékoli nesprávné použití systému pohonu může zvýšit riziko nehod. Výrobce za takové použití nenese žádnou odpovědnost. S tímto pohonem musí automatická vrata splňovat aktuálně platné mezinárodní a místní normy, směrnice a předpisy (EN 13241, EN12604, EN 12453).

K pohonu smí být připojeno pouze příslušenství Chamberlain a schválená příslušenství. Nesprávná instalace a/nebo nedodržení následujících pokynů může mít za následek vážné zranění osob nebo poškození majetku.

Systémy otevírání vrat umístěné na veřejně přístupných místech, které mají pouze silové omezení, lze provozovat pouze pod plným dohledem.

V souladu s předpisy je třeba zvážit další bezpečnostní zařízení: EN12453.

1. BEZPEČNOSTNÍ POKYNY A ZAMÝŠLENÉ POUŽITÍ

Vrata nesmí v žádném případě během provozu blokovat veřejné cesty a komunikace (veřejný prostor).

Při používání nářadí a malých dílů při instalaci nebo opravách vrat dbejte zvýšené opatrnosti a nenoste prsteny, hodinky ani volné oblečení.

Aby nedošlo k vážnému zranění osob v důsledku zachycení, odstraňte všechna zajišťovací zařízení namontovaná na vratech, aby nedošlo k jejich poškození.

Instalace a zapojení musí být v souladu s místními stavebními a elektroinstalačními předpisy. Napájecí kabely musí být připojeny pouze k řádně uzemněnému napájení.

Před instalací, údržbou, opravami nebo demontáží krytů odpojte systém od elektrického napájení. K síťovému napájení (trvale zapojená instalace) musí být připojeno odpojovací zařízení, které zaručí odpojení všech pólů (odpojovač nebo samostatná pojistka). Opravy a elektroinstalace smí provádět pouze autorizovaný elektrikář. Tlačítko nouzového zastavení musí být instalováno pro případ nouze na základě posouzení rizik.

Dbejte na to, aby nedošlo k zachycení mezi poháněným dílem a okolními pevnými díly v důsledku pohybu otevírání poháněného dílu, a to dodržováním daných bezpečnostních vzdáleností podle EN 13241, EN12604, EN 12453, EN 12635 a/nebo s bezpečnostními zařízeními (např. spínací lišta)

Testování bezpečnostní funkce systému pohonu se doporučuje provádět alespoň jednou měsíčně. Řiďte se také pokyny výrobce jednotlivých komponentů vratového systému.

Po instalaci musí být provedena závěrečná zkouška úplné funkčnosti systému a bezpečnostních zařízení a všichni uživatelé musí být poučeni o funkci a ovládání pohonu křídlových vrat.

Vratové systémy musí splňovat omezení síly podle EN 12453, EN 60335-2-103.

Při změnách v systému je třeba v souladu s normou zvážit dodatečné bezpečnostní zařízení (např. spínací lišta).

Je důležité zajistit, aby brána vždy fungovala bez problémů. Vrata, která se zadržávají nebo zasekávají, je třeba okamžitě opravit. Opravu vrat svěřte kvalifikovanému technikovi, nikdy se je nepokoušejte opravit sami. Toto zařízení není určeno k používání osobami (včetně dětí) s omezenými fyzickými, smyslovými nebo duševními schopnostmi nebo s nedostatečnými zkušenostmi či znalostmi, pokud nejsou pod dohledem osoby odpovědné za jejich bezpečnost nebo pokud nebyly poučeny o tom, jak zařízení používat. V případě potřeby MUSÍ být ovládací zařízení namontováno na dohled od brány a mimo dosah dětí. Děti by měly být pod dohledem, aby si s přístrojem nehrály. Nedovolte dětem, aby ovládaly tlačítka nebo dálkové ovládání. Nesprávné použití systému pohonu vrat může vést k vážnému zranění.

Na dobře viditelných místech by měly být umístěny výstražné značky.

Otvírač vrat by se měl používat POUZE tehdy, pokud uživatel vidí na celý prostor vrat a má jistotu, že v něm nejsou žádné překážky a že je pohon vrat správně nastaven. V prostoru vrat nesmí nikdo procházet, pokud jsou v pohybu. Nikdo nesmí procházet přes prostor vrat, pokud jsou v pohybu.

Úplná ochrana proti případnému rozdrčení nebo zachycení musí fungovat okamžitě po instalaci ramen pohonu.

Mechanické prvky a elektroinstalace nebo zavírací hrany brány mohou představovat nebezpečí v podobě rozdrčení a nárazu:

- Porucha konstrukce, křídlo, závěsy, upevnění, zarážky pojezdu, zatížení větrem
- Drcení, oblast závěsu, pod vraty, bezpečnostní vzdálenost od pevného předmětu
- Elektrická porucha (kontrola – poruchy bezpečnostních systémů)
- Náraz, uklizená plocha, ovládací zařízení vyžadující pro provoz nepřetržitě ruční ovládání, omezení síly, detekce přítomnosti

Musí být přijata vhodná opatření k zajištění bezpečného provozu systému vrat v souladu s normami.

Nikdy nespouštějte poškozený pohon.

Ruční uvolnění používejte pouze k odpojení pohonu a – pokud je to možné – POUZE tehdy, když jsou vrata zavřená. Spuštění nouzového manuálního uvolnění může vést k nekontrolovaným pohybům vrat. Příkladem bezobslužného provozu vrat je funkce časovače zavření (ČZ) a aplikace myQ Smartphone Control.

Za bezobslužné otevírání/zavírání se považuje jakékoli zařízení nebo funkce, která umožňuje zavírání vrat, aniž by byla v jejich zorném poli.

Funkci časovače zavření (ČZ), ovládání chytrým telefonem myQ a další zařízení myQ lze aktivovat POUZE tehdy, když jsou nainstalovány fotobuňky Chamberlains (ČZ funguje pouze v blízkém směru). Vrata se smí ovládat pouze při přímé viditelnosti na ně.

DŮLEŽITÉ INFORMACE!

- Tento postup je vyžadován také u soukromých zařízení (nových nebo dodatečně instalovaných na ručně ovládaná vrata).
Tento návod k montáži a obsluze si musí uživatel uschovat.
- Výrobce nepřebírá žádnou odpovědnost/záruční nároky vyplývající z jiného než určeného použití a po uplynutí záruky.
- Právní prostředek nápravy je výhradní odpovědností za všechna související práva.

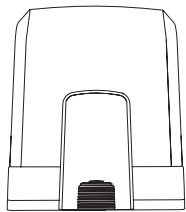
POZNÁMKA: Dodržujte návod k montáži a obsluze.

- Vždy sledujte funkci systému a v případě poruchy okamžitě odstraňte její příčinu.
- Každý rok provádějte kontrolu systému. Zavolejte odborníka.
- Mezi křídlem vrat a okolím musí být dodrženy bezpečnostní vzdálenosti v souladu s příslušnými normami.
- Pohon lze instalovat pouze na stabilní a pevná křídla vrat. Křídla vrat se při otevírání a zavírání nesmí ohýbat ani kroutit.
- Ujistěte se, že panty křídla vrat jsou namontovány a fungují správně a nevytvářejí žádné překážky.
- Montáž dvou pohonů na stejné dveřní křídlo je přísně zakázána.
- Dodržujte odpovídající požadavky místních a vnitrostátních předpisů na dodržování opatření na ochranu lidského zdraví, která je nutné dodržovat při kontaktu s jinými osobami, včetně zaměstnanců, dodavatelů a zákazníků (např. bezpečnostní vzdálenost, požadavek na ochrannou masku atd.).
- Přesné informace si můžete vyžádat od místních úřadů.

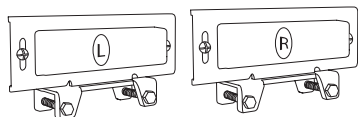
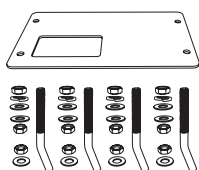


2. ROZSAH DODÁVKY

CHSL400EVC



Motorová jednotka s řídicí deskou



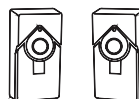
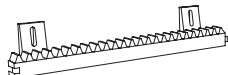
Dálkový ovladač (2x)



Uvolňovací klíč (2x)



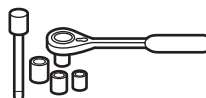
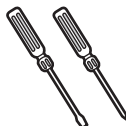
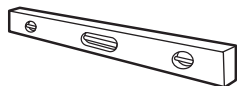
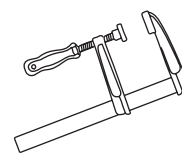
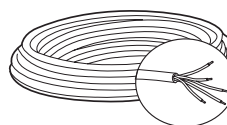
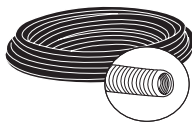
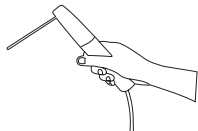
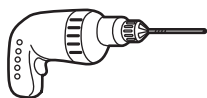
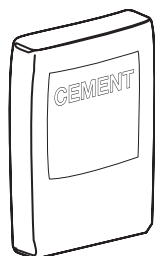
Návod k montáži



Infračervené fotobuňky

Nylonová ozubnice (12x33 cm)

3. POTŘEBNÉ NÁSTROJE

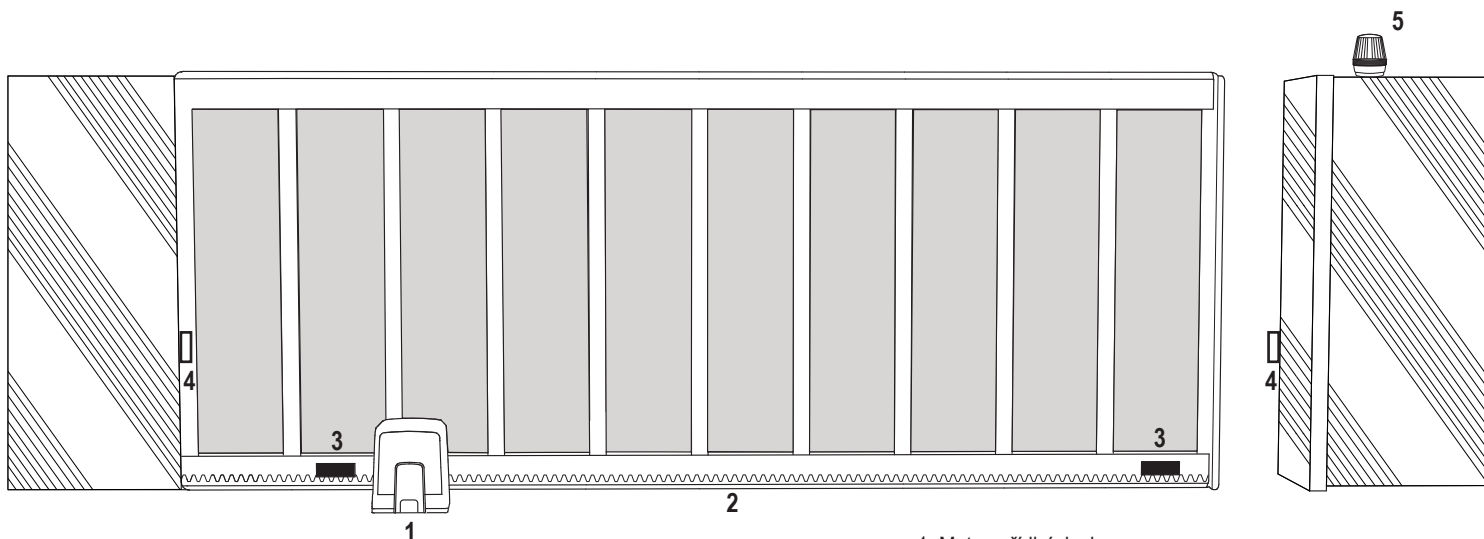


8, 13 mm



8, 13 mm

4. POPIS POHONU



1. Motor s řídicí deskou
2. Ozubnice
3. Držáky magnetů
4. Infračervené fotobuňky
5. Zábleskové světlo

5. MECHANICKÁ MONTÁŽ

Tímto zahájíte mechanickou montáž pohonu brány.

5.1 Rozměry vrat a pohonu

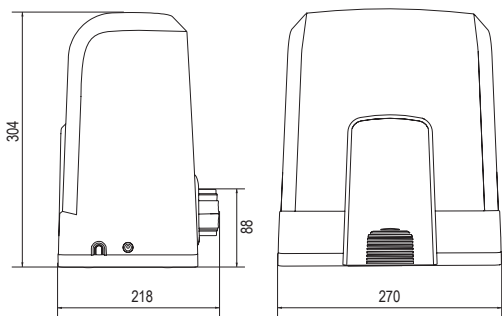
CHSL400EVC

Obecné informace a podmínky pro nastavení.

Před instalací pohonu vrat se ujistěte, že fungují bez problémů. Vrata nesmějí plnou vahou spočívat na hřídeli motoru. Před montáží základové desky do betonu se ujistěte, že jsou připraveny a správně položeny všechny potřebné kabely (napájecí kabel, kabely příslušenství atd.).

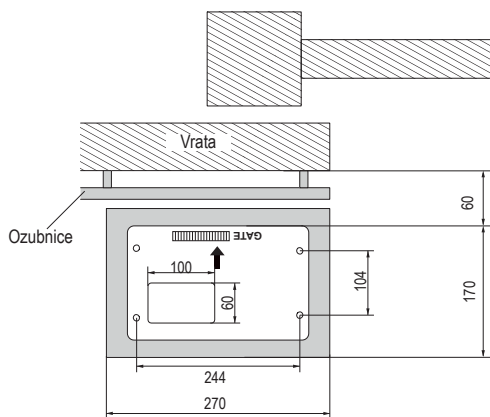
POZNÁMKA:

Všechny pohyblivé se body musí být zajištěny proti zachycení podle EU: EN 12453, EN 60335-2-103.

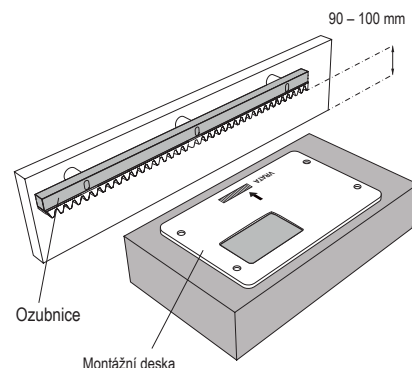


CHSL400EVC	4 m	400 kg
-------------------	-----	--------

Obrázek 1



Obrázek 2

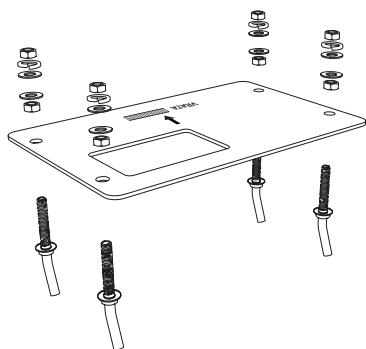


5.2 Montáž základové desky

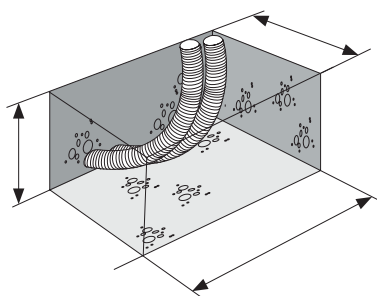
1. Vezměte kotevní šroub a nasadte jednu matici až do spodní části podkladu. Přidejte podložku a vložte ji zespodu do základové desky. Shora ji zajistěte druhou maticí.
2. Zopakujte postup u zbývajících 3 kotevních šroubů (viz obrázek 3).
3. Připravené kabely (viz obrázek 4) protáhněte otvorem v základové desce.
4. Základovou desku zasadte do připraveného betonu. Ujistěte se, že je deska správně připevněna k vratům s ohledem na potřebný prostor mezi vraty a stojanem (viz obrázek 1). Šipka na základové desce musí směřovat k vratům. Vyrovnějte základovou desku a dokončete betonování.
5. Před dalším postupem nechte betonový podklad vyschnout alespoň 24 hodin (viz obrázek 5).

POZNÁMKA: Při instalaci základové desky zajistěte, aby bylo možné v případě potřeby i později provést montáž a nastavení polohy pohonu pomocí stavěcích šroubů.

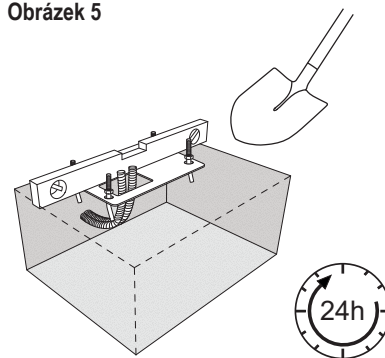
Obrázek 3



Obrázek 4



Obrázek 5

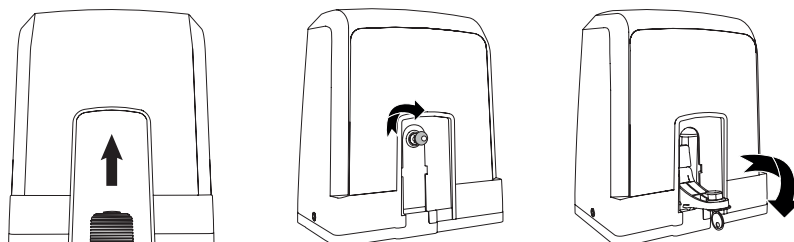


5.3 Mechanismus nouzového uvolnění

- Sejměte z pohonu malý přední plastový kryt.
- Vložte klíč do klíčové dírky a otočte jím doprava o 90°.
- Zatáhněte páčku dolů.

Pro opětovné zapnutí pohonu postupujte opačně.

Obrázek 6

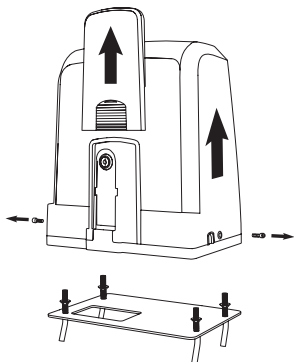


5. MECHANICKÁ MONTÁŽ

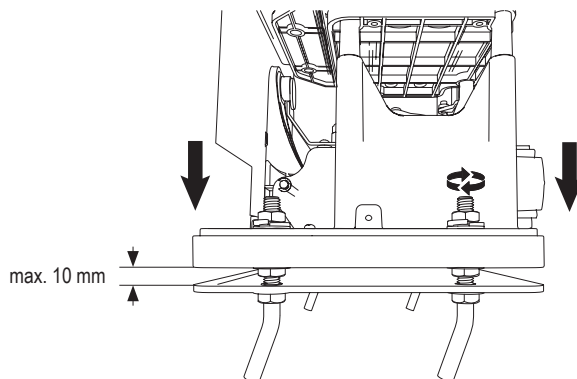
5.4 Instalace motoru na základní desku

- Po upevnění základové desky zvedněte matici zajišťující základovou desku shora asi o 5–10 mm a přidejte podložku.
- Odstraňte malý přední plastový kryt z pohonu a proveďte ruční uvolnění vložením klíče do klíčové dírky, otočením doprava a zatažením za páčku dolů (viz manuální uvolnění strana 5).
- Vyšroubujte 2 šrouby po stranách krytu (viz obrázek 7).
- Sejměte kryt pohonu a nasadte pohon na základovou desku pomocí kotevních šroubů a otvorů v závěsu pohonu. Poznámka: mezi základovou deskou a závěsem pohonu musí být dostatečná vzdálenost (5–10 mm) pro možnost pozdějšího nastavení výšky (viz obrázek 8).
- Kabely protáhněte příslušným otvorem ve spodní části skříně pohonu.
- Zajistěte pohon pomocí podložky, pružné podložky a matice podle obrázku 8.

Obrázek 7



Obrázek 8



5.5 Montáž ozubnice vrat

- Ručně posuňte bránu do polohy ZAVŘENO.
- Ocelovou nebo nylonovou ozubnici lze připevnit svařováním (pouze ocel) nebo pomocí šroubů (viz obrázek 9). Umístěte první segment ozubnice na konec vrat tak, aby padl na pastorek pohonu, jak je znázorněno na obrázku 10, a připevněte ozubnici k vratům. Poté posuňte vrata a připevněte další segment ozubnice v blízkosti předchozího segmentu.

Takto postupujte, dokud nedosáhnete polohy zcela OTEVŘENO.

POZNÁMKA: Vždy dbejte na to, aby ozubnice neležela na pastorku pohonu zcela, nebo aby od něj nebyla příliš vzdálená.

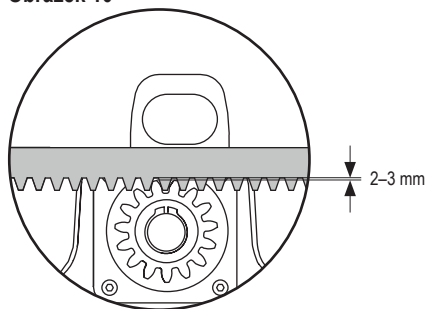
Před montáží:

- Zkontrolujte, zda je k dispozici požadovaná hloubka zašroubování.
- K montáži ozubnic použijte dodané spojovací prvky (šrouby).
- Pomocí dodaných šroubů připevněte segment ozubnice na správné místo.

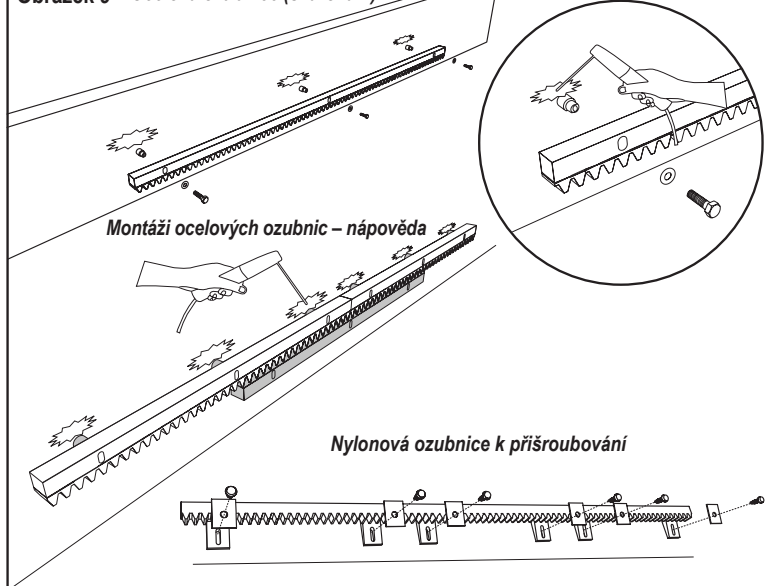
POZNÁMKA:

Je nutno zohlednit typ a tloušťku materiálu v místě montáže ozubnice. Pohon musí být odpojen

Obrázek 10



Obrázek 9 Ocelová ozubnice (svařování)



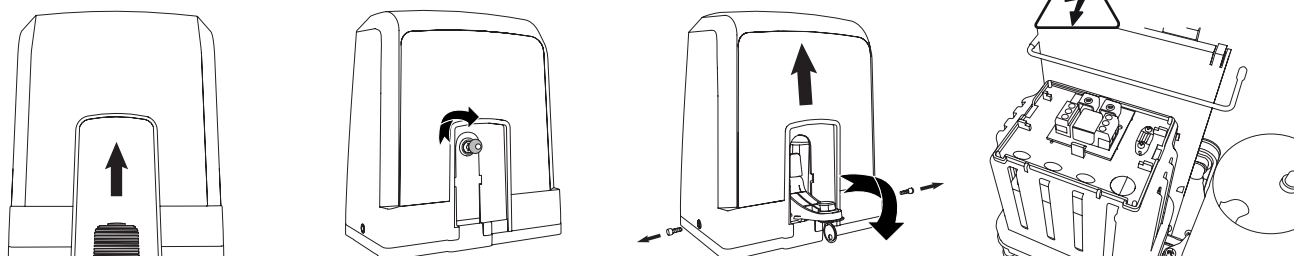
5.6 Elektrické zapojení

Síťové rozvody musí provádět certifikovaný elektrikář.

Pro připojení síťového napájení sejměte kryt pohonu, jak je popsáno výše.



Obrázek 11



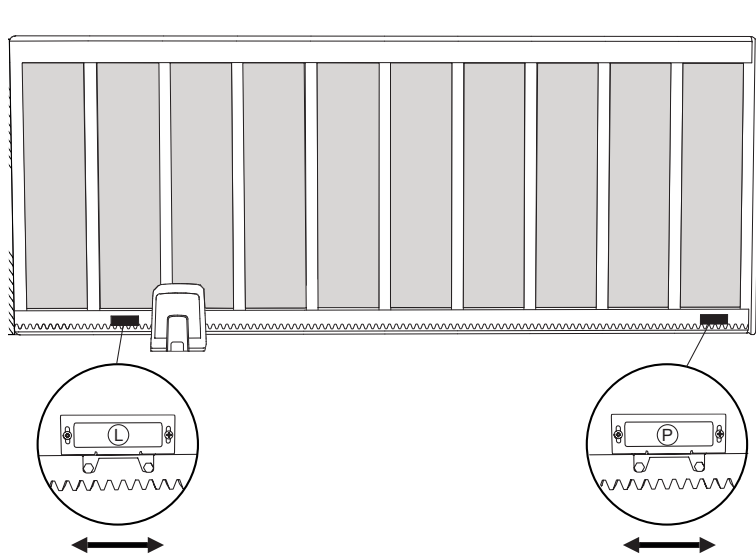
5. MECHANICKÁ MONTÁŽ

5.7 Nastavení polohy koncového spínače

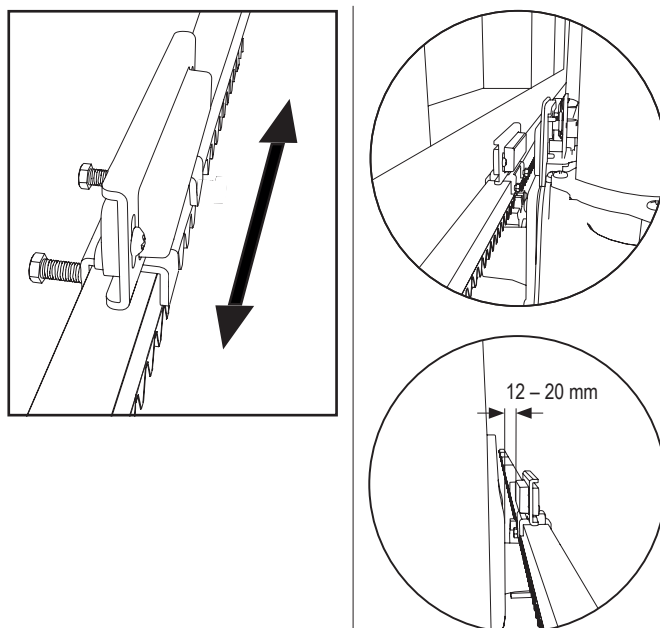
1. Zkontrolujte zapnutí pohonu.
2. Umístěte držáky s magnety na levý a pravý konec ozubnice do předpokládaných koncových poloh. Magnety jsou označeny L pro levou stranu a R pro pravou stranu a musí být umístěny vpravo nebo vlevo od pohonu (viz obrázek 12). Polohu držáku lze nastavit posunutím držáku podél ozubnice.
3. Pomocí ručně uvolněného pohonu posuňte bránu ve směru OTEVÍRÁNÍ, abyste dosáhli magnetu upevněného na ozubnicích. Dbejte na dodržení vzdáleností mezi magnetem a koncovým spínačem (viz obrázek 13).
4. Po dosažení se zobrazí část pravého horního digitálního dílku na displeji.
5. V případě potřeby upravte polohu magnetu, zkontrolujte, zda se zobrazuje pravý horní digitální dílek, a utáhněte šrouby držáku magnetu.
6. Totéž opakujte ve směru ZAVÍRÁNÍ, abyste dosáhli magnetu upevněného v poloze Zavřeno na opačné straně vrat.
7. Po dosažení se rozsvítí část pravého dolního digitálního dílku na displeji.
8. V případě potřeby upravte polohu magnetu, zkontrolujte, zda se zobrazuje levý horní digitální dílek, a utáhněte šrouby držáku magnetu.
9. Přesuňte bránu do střední polohy (mezi limit otevření a zavření).

Pohon je připraven na fázi učení.

Obrázek 12



Obrázek 13

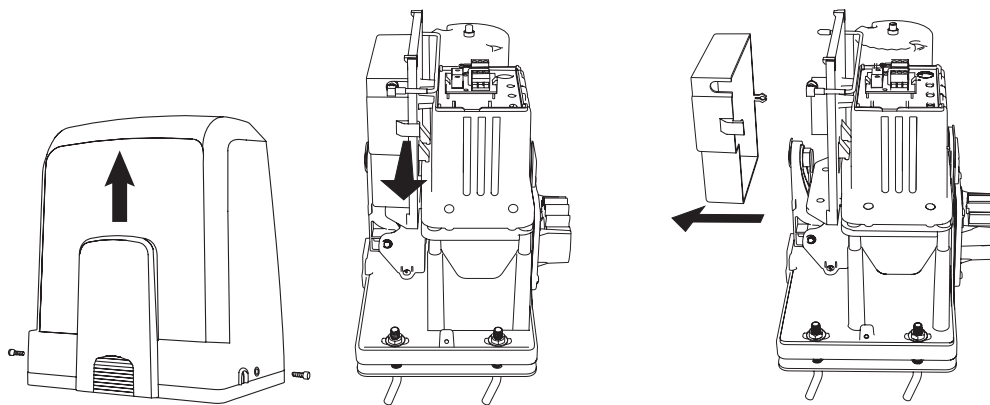


5.8 Přístup k řídicí desce a připojení motoru

- Řídicí deska je již předinstalována a připojena ke svorkovnici motoru. Není nutná žádná další akce.

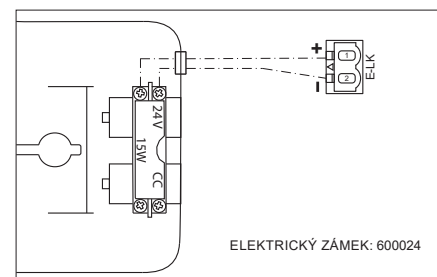
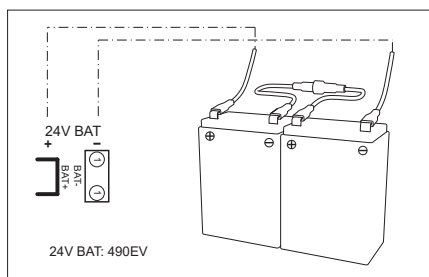
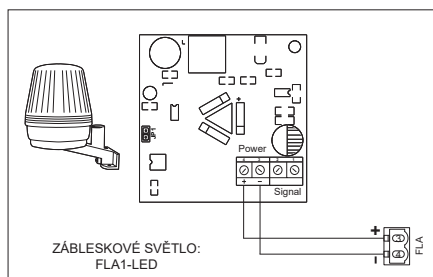
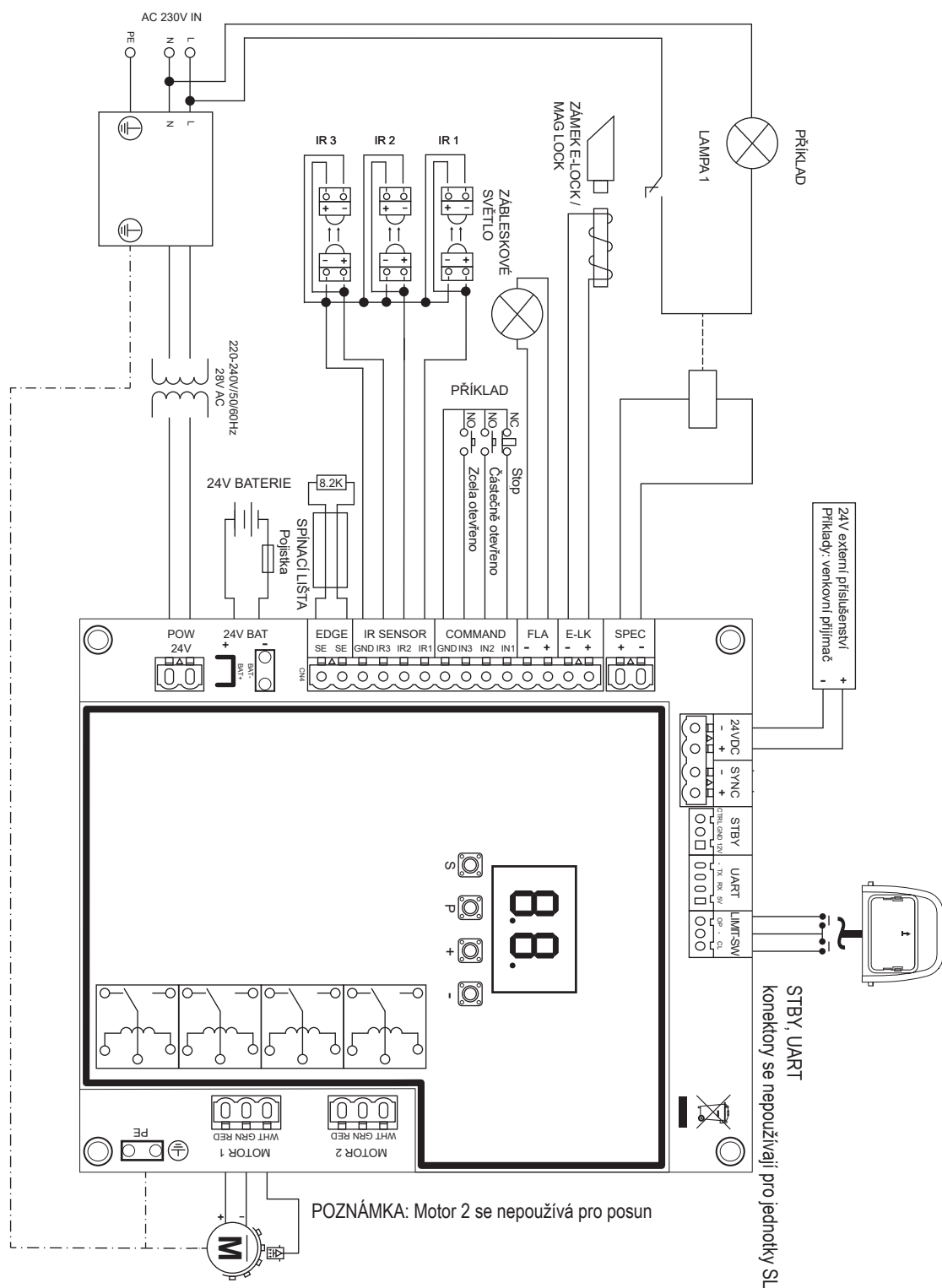
Pro přístup k ovládací desce sejměte kryt pohonu. Svorky pro zapojení příslušenství jsou přímo přístupné. Pro přístup k programovacím tlačítkům sejměte průhledný plastový kryt a po dokončení programování jej vraťte zpět.

Obrázek 14



Gratulujeme! Tím je mechanická montáž pohonu vrat dokončena. Pokračujte s programováním a základním nastavením, abyste mohli zařízení uvést do provozu.

6. SCHÉMA ZAPOJENÍ



7. PROGRAMOVÁNÍ

7.1 Displej, programovací tlačítka a nastavení funkcí

Funkce programovacích tlačítek (4 tlačítka):

Tlačítko	Funkce
S	naprogramování / odstranění dálkových ovladačů a specifických funkcí
P	vstup do režimu programování, výběr funkce a uložení
+/-	Procházejte nabídkou a změňte hodnotu na displeji

Funkce a naprogramované hodnoty se zobrazují na LED displeji.

Nastavení funkcí – režim programování

Po zapnutí řídicí desky se na LED displeji zobrazí následující hodnoty:

--	Řídicí deska je předprogramována na příslušnou aplikaci (popis stavu viz níže v části „Aplikace“ a „Pohotovostní režim“).
EO	„EO“ v případě, že řídicí deska ještě nebyla naprogramována nebo resetována funkcí „Výchozí tovární nastavení“. V tomto stavu bude příkaz vstupu nebo vysílače vždy ignorován.

7.2 Obecný přehled programování

Tímto zahájíte programování pohonu brány.

Programování je rozděleno do 2 částí:

1. Základní nastavení (strana 11)
2. Pokročilé nastavení (strana 14)

Po provedení základního nastavení se během fáze učení automaticky naučí následující parametry:

1. Délka pohybu od polohy **ZCELA ZAVŘENO** do polohy **ZCELA OTEVŘENO**.
2. Otevírací a zavírací síla pro každý motor.

POZNÁMKA:

- Pro zahájení provozu je nutné dokončit fázi základního nastavení a učení.
- Po dokončení fáze učení a programování bude pohon pracovat podle výchozího nastavení.
- Pokročilá nastavení nejsou přístupná, pokud nejsou dokončena základní nastavení a fáze učení.
- **Před programováním se ujistěte, že jsou připojena příslušná bezpečnostní zařízení**

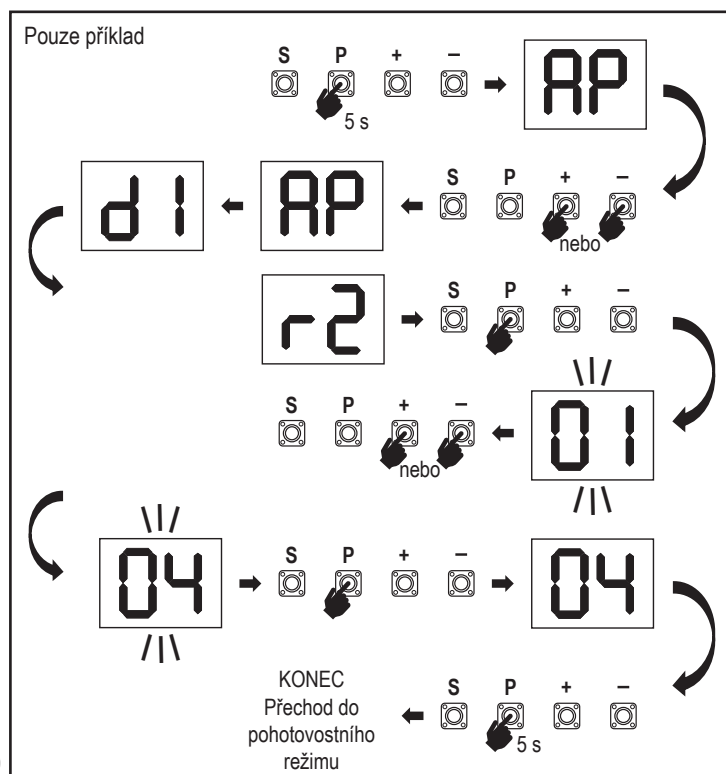
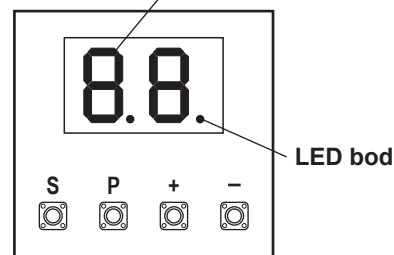
Obecné nastavení:

1. Stisknutím a podržením tlačítka „P“ na 5 sekund vstoupíte do nabídky. „AP“ na displeji označuje první dostupnou funkci v menu.
2. Mezi jednotlivými funkcemi můžete přecházet pomocí tlačítek „+“ a „-“.
3. Stisknutím tlačítka „P“ vyberte požadovanou funkci.
4. Zobrazí se výchozí nastavení nebo dříve naprogramovaná hodnota. To se projeví blikáním hodnoty na displeji.
5. Pomocí tlačítek „+“ nebo „-“ vyberte požadovanou hodnotu. Stiskněte tlačítko „P“ a potvrďte výběr.
6. Naprogramovaná funkce se zobrazí na displeji.
7. Chcete-li změnit nastavení jiné funkce, zopakujte postup od bodu č. 2 do č. 6
8. Chcete-li přejít do nabídky funkcí, stiskněte na 5 sekund tlačítko „P“, poté deska přejde do pohotovostního režimu.

Pokud nestisknete tlačítko „P“ pro potvrzení nastavení nové hodnoty, nové nastavení se po 3 minutách uloží a programování ukončí nabídku a vrátí se do pohotovostního režimu.

POZNÁMKA: Pro ovládání brány nebo provedení jakéhokoli příkazu je třeba ukončit nabídku nastavení stisknutím tlačítka „P“ na 5 sekund nebo výběrem funkce FE, případně vyčkat 3 minuty pro automatické ukončení a návrat do pohotovostního režimu.

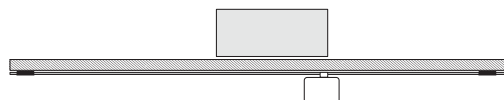
2místný displej LED



7. PROGRAMOVÁNÍ

7.3 Směr pohybu křídla

Před programováním posuňte bránu ručně do střední polohy a znovu zapněte uvolňovací mechanismus (viz strana 6). Stiskněte a podržte tlačítko „-“ na řídicí desce a ujistěte se, že se motor pohybuje ve směru **ZAVÍRÁNÍ**. Pokud je správný, okamžitě pusťte tlačítko „-“ a vrata se zastaví.



Pokud se motor pohybuje ve směru **OTEVÍRÁNÍ**, přejděte na funkce „d1“ a změňte nastavení směru.

Po správném nastavení směru **ZAVÍRÁNÍ** nechte vrata ve střední poloze. Pohon je připraven na fázi učení.

Poznámka: V případě potřeby lze vrata před konečným nastavením pohybovat pomocí tlačítek „+“ a „-“.

Stisknutím a podržením tlačítka „+“ na řídicí desce přesuňte vrata do polohy **OTEVŘENO**. Po uvolnění tlačítka se pohon zastaví.

Stisknutím a podržením tlačítka „-“ na řídicí desce přesuňte bránu do polohy **ZAVŘENO**. Po uvolnění tlačítka se pohon zastaví.

7.4 Základní nastavení

Přehled základních nastavení

LED		Funkce
		Základní nastavení (povinné)
	AP	Aplikace
	d1	Směr motoru 1
	LL	Fáze učení koncových poloh

7.4.1 Nastavení aplikace

Funkce aplikace zobrazená na displeji.

Tato funkce je již z výroby přednastavena na správnou hodnotu definovanou pro dodaný pohon.



	Posuvná vrata, CHSL400
--	------------------------

Další nastavení jsou k dispozici na vyžádání:

	Nebyla vybrána žádná aplikace
--	-------------------------------

Hodnoty 02-05 nejsou pro aplikaci CHSL vhodné a nesmí být zvoleny

7.4.2 Nastavení směru motoru



Funkce směru motoru se zobrazí na displeji

Definuje směr pohybu motoru.

	Motor je namontován na levé straně (výchozí nastavení).
	Motor je namontován na pravé straně .

7.4.3 Učení koncových poloh



Před spuštěním fáze učení koncových poloh musí být provedena příprava pro učení koncových poloh, jak je popsáno v části Nastavení polohy koncového spínače.

Pro zahájení fáze učení koncových poloh zkontrolujte koncové polohy a zajistěte, aby dveře byly v prostřední poloze.

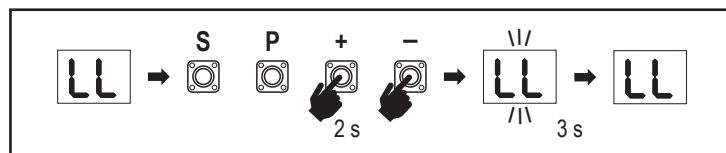
Před zahájením fáze učení se ujistěte, že:

1. Jsou dokončena ostatní základní nastavení
2. Magnety jsou nainstalovány a fungují správně
3. První pohyb bude ve směru **ZAVÍRÁNÍ** .

Dostupné metody učení:

Standardní režim učení (automatický)

1. OTEVŘETE nabídku LL.
2. Stiskněte a podržte tlačítka „+ a -“ po dobu 2 sekund.
3. Spustí se automatický proces učení. Během celého procesu bude na displeji blikat LL .
4. Brána se pohybuje ve směru **ZAVŘENO** až do dosažení koncového spínače **zavřeno** a zastaví se na 2 sekundy, poté se pohybuje ve směru **OTEVŘENO** .
5. Brána se pohybuje ve směru **OTEVŘENO** , dokud není dosaženo koncového spínače otevření.
6. Brána se pohybuje ve směru **ZAVŘENO** až do dosažení koncového spínače zavření a zastaví se.
7. Fáze standardního učení je ukončena. Na displeji se zobrazí LL a deska se po 3 sekundách vrátí do pohotovostního režimu.



V režimu standardního učení se provádějí následující nastavení:

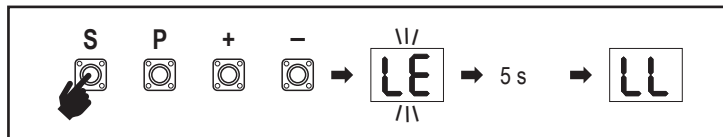
1. Délka pohybu od polohy **ZCELA ZAVŘENO** do polohy **ZCELA OTEVŘENO**.
2. Síla otevírání a zavírání.
3. Pro funkci po zvolení nastavení je určena dráha 60 cm v obou směrech.

7. PROGRAMOVÁNÍ

POZNÁMKA: Fázi učení zastavíte stisknutím tlačítka „S“. Proces učení se přeruší, na displeji LED začne blikat „LE“. Po 5 sekundách se na displeji zobrazí „LL“, což znamená připravenost k opětovnému spuštění fáze učení.

Pokud proces učení nebyl dokončen, je třeba jej provést znovu.

POZOR: K zahájení provozu je nutné dokončit fázi učení.



7.5 Pohotovostní režim

Po zapnutí řídicí desky a dokončení programování se displej LED na 2 sekundy zcela rozsvítí a přejde do pohotovostního režimu. V pohotovostním režimu se na displeji LED zobrazuje aktuální stav vrat.

	Jeden motor
Motor se otevírá, horní část displeje bliká.	
Motor se zastaví v poloze otevření koncového spínače, horní část displeje svítí.	
Motor se zavírá, spodní část displeje bliká.	
Motor se zastaví v zavřené poloze koncového spínače, spodní část displeje svítí.	
Motor se zastaví uprostřed, střed displeje svítí.	

Tímto je dokončeno základní nastavení. Můžete opustit programování a ovládat vrata nebo pokračovat v pokročilých nastaveních.

7. PROGRAMOVÁNÍ

7.6 Programování a odstraňování dálkových ovladačů, rádiového příslušenství a zařízení myQ

Programování dálkových ovladačů (vysílače a bezdrátové nástěnné ovladače)

POZNÁMKA: dálkové ovladače dodávané s pohonem jsou již z výroby přednaučeny k ovládání pohonu (horní tlačítko u LED) a nevyžadují další programování.

1. Stiskněte a uvolněte tlačítko „S“. Na displeji se rozsvítí bod LED. Pohon zůstane v režimu programování rádia po dobu 3 minut. Během prvních 30 sekund lze učít libovolné rádiové zařízení. Během zbývajících 2,5 minuty lze učít pouze zařízení myQ.
2. Zvolte požadované tlačítko na vysílači a podržte je, dokud nezhasne tečka na displeji.
Stisknutím tlačítka „S“ ukončete režim programování rádia.

Chcete-li naprogramovat bezdrátovou klávesnici, postupujte podle příslušné příručky k příslušenství.

Programování vysílače při částečném otevření

Stiskněte a podržte současně tlačítka „S“ a „+“, dokud nezačne blikat bod LED. Stisknutím a podržením požadovaného volného tlačítka na vysílači naprogramujete režim částečného otevření.
Po dokončení programování bod LED zhasne. Pokud je ke kontaktu SPEC připojeno světlo, jednou zabliká.

Programování brány myQ (830REV-01):

1. Připojení

Připojte ethernetový kabel (1) dodaný s branou k routeru (2). Použijte zástrčku vhodnou pro vaši zemi (ne všechny modely). Připojte napájení (3) k internetové bráně (4). Když se internetová brána připojí k internetu, zelená kontrolka (5) přestane blikat a začne svítit trvale. K provozu myQ je nutné používat připojenou sadu IR.

2. Vytvoření účtu

Stáhněte si bezplatnou aplikaci myQ z App Store nebo Google Play Store a vytvořte si účet. Pokud již máte účet, použijte své uživatelské jméno a heslo.

3. Registrace internetové brány

Na vyzvání zadejte sériové číslo umístěné na spodní straně internetové brány.

4. Přidání zařízení myQ

Chcete-li přidat pohon vrat k registrované bráně, postupujte podle pokynů v aplikaci. Při přidávání nového pohonu vrat s funkcí myQ stiskněte a uvolněte tlačítko „S“ na řídicí desce pohonu. Na displeji řídicí desky se rozsvítí bod LED.

Poznámka: Po přidání zařízení se na internetové bráně objeví modrá kontrolka a zůstane svítit. Stisknutím tlačítka „S“ na řídicím panelu ukončíte režim programování rádia.

5. Test

Po správné montáži a registraci můžete nyní otestovat následující funkce: otevření nebo zavření brány, vyžádání stavu BRÁNA OTEVŘENA nebo BRÁNA ZAVŘENA.

Další funkce naleznete na adrese www.chamberlain.eu

Smazání rádiových ovládacích zařízení (vysílače, bezdrátové nástěnné ovladače, bezdrátové klávesnice):

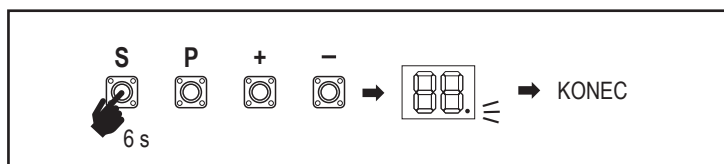
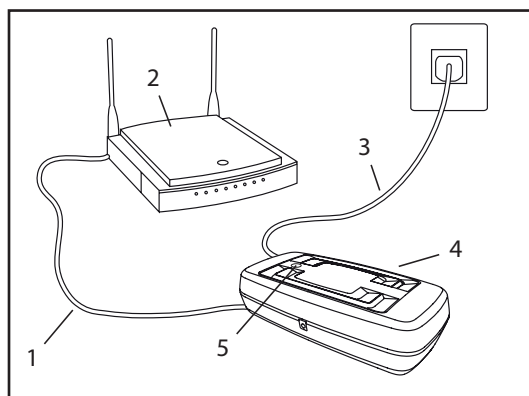
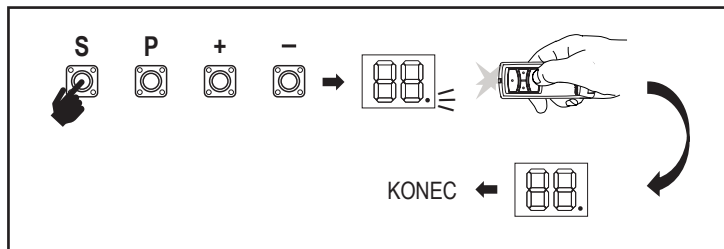
Stiskněte a podržte tlačítko „S“ po dobu > 6 sekund. Vymažou se všechna rádiová ovládací zařízení (vysílače, nástěnné ovladače, klávesnice). Bod LED na displeji se vypne.

Poznámka: Rádiová řídicí zařízení nelze vymazat jednotlivě.

Vymazání zařízení myQ:

1. Nejprve vymažte zařízení dálkového ovládání, jak je uvedeno výše.
2. Během následujících 6 sekund stiskněte a podržte tlačítko „S“. Na displeji se rozsvítí bod LED.
3. Stiskněte a podržte tlačítko „S“ po dobu > 6 sekund. Všechna zařízení myQ jsou vymazána. Bod LED na displeji se vypne.

POZNÁMKA: Zařízení myQ nelze vymazat jednotlivě. Nelze vymazat pouze zařízení myQ.



7. PROGRAMOVÁNÍ

7.7 Pokročilá nastavení

Tímto začínáte s pokročilým nastavením.

7.7.1 Přehled pokročilých nastavení

LED		Funkce
	tr	Vysílač
	r1	Fotobuňka IR1
	r2	Fotobuňka IR2
	r3	Fotobuňka IR3
	i1	Příkaz Vstup 1
	i2	Příkaz Vstup 2
	i3	Příkaz Vstup 3
	Pd	Částečné otevírání
	tC	Časovač zavření (ČZ)
	rt	Doba zpětného chodu po nárazu
	EL	E-lock

LED		Funkce
	FL	Maják
	PF	Předblikání
	SP	Zvláštní kontakt
	St	Rychlost spuštění ve směru OTEVÍRÁNÍ a ZAVÍRÁNÍ
	Cn	Počítadlo údržby
	Fd	Tovární nastavení
	FE	Ukončit a odejít

7.7.2 Nastavení vysílače

Funkce vysílače definuje fungování příkazů vysílače.

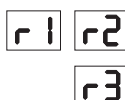
Poznámka: Při nastaveních „01“, „02“ a „03“ bude časovač ČZ nahrazen příkazem vysílače a vrata ZAVŘE.

Při nastavení „04“ bude aktivní odpočítávání časovače ČZ znovu nastaveno na spuštění příkazem vysílače



	Rezidenční režim: Otevřít – Zavřít – Otevřít
	Standardní režim: Otevřít – Stop – Zavřít – Stop – Otevřít (výchozí)
	Automaticky s režimem zastavení: Otevřít – Stop – Zavřít – Otevřít
	Režim parkování: Otevřít do zcela otevřené polohy. Další příkazy během otevírání budou ignorovány

7.7.3 Nastavení infračervených fotobuněk



IR funkce definují režim fungování infračervených fotobuněk (IR).

Učení infračervených buněk proběhne automaticky po instalaci.

Každou ze 3 sad IR lze naprogramovat samostatně.

POZNÁMKA: V závislosti na zvoleném nastavení se vstupy částečného otevření nebo příkazy dálkového ovládání neprovedou ve směru OTEVÍRÁNÍ nebo ZAVÍRÁNÍ, pokud je IR paprsek zakrytý.

V případě vyjmutí infračervených paprsků je třeba dvakrát vypnout/zapnout napájení řídicí desky, aby se provedlo odnaučení

Kontrolu a údržbu fotobuněk naleznete v návodu k obsluze fotobuněk.

	IR aktivní při pohybu ZAVÍRÁNÍ. Je-li infračervený paprsek zablokován, brána se vrátí do polohy úplného OTEVŘENÍ (výchozí nastavení).
	IR aktivní při pohybu OTEVÍRÁNÍ. Je-li infračervený paprsek zakrytý, vrata se zastaví. Když překážka zmizí, vrata pokračují v OTEVÍRÁNÍ.
	IR aktivní při pohybu OTEVÍRÁNÍ a ZAVÍRÁNÍ. Pokud je infračervený paprsek blokován při pohybu ZAVÍRÁNÍ, vrata se zastaví a po zmizení překážky se vrata vrátí do polohy úplného OTEVŘENÍ. Je-li infračervený paprsek zakrytý při pohybu OTEVÍRÁNÍ, vrata se zastaví. Když překážka zmizí, vrata pokračují v OTEVÍRÁNÍ.
	IR aktivní při pohybu ZAVÍRÁNÍ. Je-li infračervený paprsek zablokován, brána se vrátí do polohy úplného OTEVŘENÍ. Aktivovaná funkce ČZ se 2 sekundy po odstranění překážky v paprsku přepíše a zahájí pohyb ZAVÍRÁNÍ aniž by se čekalo na konec ČZ.

7.7.4 Nastavení vstupů



Funkce vstupy definuje způsob provádění vstupních příkazů z externího příslušenství. Každý ze 3 vstupů lze naprogramovat samostatně.

POZNÁMKA: Při nastaveních „01“, „02“ a „03“ bude časovač ČZ nahrazen vstupním příkazem a vrata ZAVŘE. Při nastavení „06“ bude aktivní odpočítávání časovače ČZ znovu nastaveno na spuštění vstupním příkazem

7. PROGRAMOVÁNÍ

01	Otevřít – Zavřít – Otevřít
02	Otevřít – Stop – Zavřít – Stop – Otevřít (výchozí)
03	Otevřít – Stop – Zavřít – Otevřít
04	Částečné otevření
05	STOP (NC kontakt)

7.7.5 Částečné otevření

Pd

Částečné otevření umožňuje otevřít aktivní křídlo pouze na předem nastavenou hodnotu.

POZNÁMKA: Příkaz Pd bude fungovat od polohy Mez zavírání a během zavíracího pohybu. Pokud je příkaz Pd proveden z polohy zcela OTEVŘENO, vrata se zavřou. Příkaz Otevřít nebo Vysílač bude mít vždy přednost před příkazem Pd.

01	Otevírací dráha 1,5 m
02	Otevírací dráha 2 m (výchozí nastavení)
03	Otevírací dráha 3 m

Programování vysílače při částečném otevření

1. Stiskněte a podržte současně tlačítka „S“ a „+“, dokud nezačne blikat bod LED na řídicí desce.
2. Stisknutím a podržením požadovaného volného tlačítka na vysílači naprogramujete režim částečného otevření.
3. Po dokončení programování bod LED zhasne. Pokud je ke kontaktu SPEC připojeno světlo, jednou zabliká.

7.7.6 Časovač zavření

ČZ

Funkce ČZ (časovač zavření) umožňuje automatické zavření vrat z polohy OTEVŘENO po uplynutí předem nastavené doby. K provozu ČZ je třeba nainstalovat minimálně jeden pár infračervených fotobuněk (IR) Chamberlain, které monitorují pohyb zavírání. ČZ nebude fungovat, pokud IR chrání pouze pohyb otevírání.

TTC bude fungovat i s aktivovaným částečným otevřením. Je-li funkce ČZ aktivní, časovač odpočítává čas a IR paprsky jsou přerušeny, časovač ČZ se znovu spustí.

00	ČZ není aktivní (výchozí)	05	1 minuta
01	10 sekund	06	1,5 minuty
02	20 sekund	07	2 minuty
03	30 sekund	08	3 minuty
04	45 sekund	09	5 minuty

7.7.7 Doba zpětného chodu po nárazu

rt

Funkce doby zpětného chodu po nárazu definuje chování při couvání v důsledku překážky během zavírání nebo otevírání. Toto chování při reverzaci platí jak pro detekci síly motoru, tak pro použití spínací lišty.

01	2 sekundy zpětný chod a Stop
02	Návrat zpět do koncové mezní polohy (výchozí)
03	Při zavírání se vrata po nárazu vrátí do polohy Otevřeno. Při otevírání se vrata po nárazu na 2 sekundy přepnou na zpětný chod a zastaví

7.7.8 Nastavení elektrického/magnetického zámku

EL

Funkce E-Lock definuje chování elektrického / magnetického zámku. Lze připojit 24VDC - 500mA elektrický nebo magnetický zámek.

00	elektrický / magnetický zámek není nainstalován (výchozí)
01	e-lock aktivní 1 sekundu před spuštěním motoru ve směru otevírání
02	e-lock aktivní 2 sekundy před spuštěním motoru ve směru otevírání
03	Magnetický zámek, trvale aktivní při zavěšené bráně; trvale neaktivní při pohybu OTEVÍRÁNÍ a ZAVÍRÁNÍ, při poloze brány OTEVŘENO nebo STOP. Magnetický zámek se v režimu záložní baterie deaktivuje.

7.7.9 Nastavení majáku

FL

Funkce majáku umožňuje vybrat typ připojeného zábleskového světla. Lze připojit zábleskové světlo 24 V DC - max. 500 mA (FLA1-LED).

00	není nainstalováno žádné zábleskové světlo (výchozí nastavení)
01	trvalé napájení 24 V – pro zábleskové světlo s vlastní řídicí deskou (FLA1-LED)
02	přerušené napájení 24 V – pro zábleskové světlo bez vlastní řídicí desky

7.7.9a Předblikání

PF

Funkce předblikání definuje časový interval předblikání zábleskového světla před pohybem vrat. Funkce není aktivní, pokud je funkce zábleskového světla (ZS) nastavena na „00“.

00	bez předblikání (výchozí)	03	3 sekundy
01	1 sekunda	04	4 sekundy
02	2 sekundy	05	5 sekund

7.7.10 Nastavení zvláštního kontaktu

SP

Funkce zvláštního kontaktu definuje dobu aktivace relé. K ovládání dalších zařízení, např. kontrolního světla, lze připojit 24V max. 500mA relé. Zde nastavený čas bude také řídit odpočítávání dálkového osvětlení myQ.

00	bez aktivace (výchozí)	05	1,5 minuty
01	15 sekund	06	2 minuty
02	30 sekund	07	3 minuty
03	45 sekund	08	4 minuty
04	1 minuta	09	5 minuty

7. PROGRAMOVÁNÍ

7.7.11 Rychlost spuštění v otevřeném a zavřeném směru

St

Funkce Rozběhová rychlost umožňuje zapnutí a vypnutí funkce Soft-Start ve směru OTEVÍRÁNÍ a ZAVÍRÁNÍ.

00	deaktivováno (výchozí)
01	Soft Start aktivní: motor bude postupně zrychlovat, dokud nedosáhne standardních otáček.

7.7.12 Počítadlo údržby

Cn

Funkce počítadla údržby umožňuje nastavit interval údržby v cyklech. Dosažení intervalu signalizuje 4sekundové předblikávání zábleskového světla. Pokud je aktivní funkce PB (předblikání), k nastavenému času se přidá 4sekundové předblikání. Pro resetování počítadla po provedení údržby stačí cykly naprogramovat ještě jednou.

00	bez počítadla (výchozí)	02	2000 cyklů
01	1000 cyklů cyklů
		20	20000 cyklů

7.8 Tovární nastavení

Fd

Funkce továrního nastavení resetuje řídicí desku na původní tovární nastavení. Všechna nastavení, včetně nastavení limitů, budou vymazána. Na displeji LED se zobrazí „E0“. Naprogramované dálkové ovladače zůstanou naučené. Pokud je třeba vymazat příslušenství dálkového ovládání, nahlédněte do příslušné části této příručky věnované programování rádiových ovladačů.

00	žádný reset (výchozí)
01	obnovení výchozího továrního nastavení

7.9 Ukončit a odejít

FE

Ukončení fáze programování a uložení všech změn, Vybete funkci FE stisknete tlačítko „P“. Řídicí deska přejde do pohotovostního režimu a je připravena k fungování.

Existují také další způsoby ukončení programování a uložení nastavení:

- Stisknete a podržte tlačítko „P“ po dobu 5 sekund
- Po posledních změnách v programování vyčkejte 3 minuty pro automatické ukončení.

8. ZÁLOŽNÍ BATERIE

Režim záložní baterie (BBU)

bU

Volitelné olověné baterie 12 V, 2,2Ah SKU 490EV (volitelné, nejsou součástí dodávky) lze namontovat do krytu pohonu.

Přesný postup instalace naleznete v návodu k obsluze SKU č. 490EV.

Zábleskové světlo (je-li namontováno) každých 10 minut zabliká na 2 sekundy, což signalizuje režim BBU a ztrátu napájení. Řídicí deska se přepne do pohotovostního režimu s aktivním rádiovým přijímačem přijímajícím pouze příkazy rádiového řídicího zařízení. Ostatní příslušenství a periferní zařízení nebudou funkční. V režimu zálohování baterie budou ovládání smartphonu myQ a bezdrátová zařízení myQ vypnuta. Plně nabitá baterie musí zvládnout až ~20 cyklů rychlostí 2 za hodinu. Po 24 hodinách režimu BBU musí baterie zajistit napájení pro 1 úplný cyklus otevření a zavření.

Upozorňujeme, že lze použít pouze uvedenou baterii. Použití jakékoli jiné baterie vede ke ztrátě záruky a ztrátě odpovědnosti společnosti Chamberlain za jakékoli související škody vzniklé v důsledku použití nespecifikovaných baterií.

9. CHYBOVÉ KÓDY

LED	Chybový kód	Problém	Možný důvod	Řešení
E0	E0	Stisknutý vysílač, ale vrata se nepohybují	AP nastaveno na 00	Zkontrolujte, zda je AP nastaveno na 00. Pokud ano, změňte nastavení aplikace na správné.
E1	E1	Vrata se nezavírají, ale mohou se otevřít.	1) IR1 není připojen nebo je přerušen vodič.	1) Zkontrolujte, zda je připojen IR1 nebo zda není přerušen vodič.
			2) Vodič IR1 je zkratovaný nebo zapojený obráceně.	2) Zkontrolujte připojení IR1, v případě potřeby vyměňte vodiče.
			3) IR1 není na okamžik v jedné linii nebo je blokováno.	3) Srovnajte IR vysílač a přijímač a ujistěte se, že obě LED diody svítí a neblíkají. Ujistěte se, že na vratech nevisí nic, co by mohlo způsobit blokování infračerveného záření.
E2	E2	Vrata se mohou zavřít, když jsou v koncové poloze otevření, ale nemohou se otevřít, když jsou v koncové poloze zavření.	1) IR2 není připojen nebo je přerušen vodič.	1) Zkontrolujte, zda je připojen IR2 nebo zda není přerušen vodič.
			2) Vodič IR2 je zkratovaný nebo zapojený obráceně.	2) Zkontrolujte připojení IR2, v případě potřeby vyměňte vodiče.
			3) IR2 není na okamžik v jedné linii nebo je blokováno.	3) Srovnajte IR vysílač a přijímač a ujistěte se, že obě LED diody svítí a neblíkají. Ujistěte se, že IR nic nepřekáží.
E3	E3	Stisknutý vysílač, ale vrata se nepohybují.	1) IR3 není připojen nebo je přerušen vodič.	1) Zkontrolujte, zda je připojen IR3 nebo zda není přerušen vodič.
			2) Vodič IR3 je zkratovaný nebo zapojený obráceně.	2) Zkontrolujte připojení IR3, v případě potřeby vyměňte vodiče.
			3) IR3 není na okamžik v jedné linii nebo je blokováno.	3) Srovnajte IR vysílač a přijímač a ujistěte se, že obě LED diody svítí a neblíkají. Ujistěte se, že na vratech nevisí nic, co by mohlo způsobit krátké blokování IR paprsku.
E4	E4	Stisknutý vysílač, ale vrata se nepohybují.	1) Spínací lišta není spojena s rezistorem 8,2 kOhm.	1) Zkontrolujte, zda je správně připojena spínací lišta 8,2 kOhm nebo zda je nainstalován rezistor 8,2 kOhm.
			2) Je zkratován vodič spínací lišty.	2) Zkontrolujte vodiče spínací lišty a v případě potřeby je vyměňte.
			3) Spínací lišta je stisknutá.	3) Zkontrolujte, zda je spínací lišta stisknutá.
E5	E5	Stisknutý vysílač, ale vrata se nepohybují.	1) Spínač STOP je otevřený.	1) Zkontrolujte, zda není spínač STOP otevřený nebo poškozený.
			2) Spínač STOP není připojen.	2) Zkontrolujte, zda není spínač STOP odpojen. Pokud ano, znovu připojte spínač STOP nebo změňte nastavení příslušného vstupu na jinou hodnotu.
E6	E6	Chyba magnetu	1) Spínač magnetu není připojen nebo špatně zapojení.	1) Zkontrolujte správné zapojení spínače magnetu. Pokud ne, zapojení opravte.
			2) Magnetický blok vypadne ze spínače nebo pojistka je rozbitá.	2) Zkontrolujte, zda blok magnetu nevypadává ze spínače nebo zda není pojistka rozbitá.
E7	E7	Stisknutý vysílač, ale vrata se nepohybují.	Selhání zesilovače řídicí desky pro motor 1.	Vypněte napájení na 20 sekund a proveďte reset, abyste zkontrolovali, zda se řídicí deska obnoví. Pokud ne, vyměňte řídicí desku.
E9	E9	Stisknutý vysílač, ale vrata se nepohybují.	Chyba paměti řídicí desky.	Vypněte napájení na 20 sekund a proveďte reset, abyste zkontrolovali, zda se řídicí deska obnoví. Pokud ne, vyměňte řídicí desku.
F1	F1	Zastavení a reverzace motoru při otevírání nebo zavírání.	Motor je zablokovaný.	Zkontrolujte a odstraňte překážku. Vyčistěte vrata.
F3	F3	Zastavení a reverzace motoru při otevírání nebo zavírání.	Motor se zastavil nebo je poškozený snímač otáček.	Zkontrolujte, zda se motor 1 nezastavil nebo zda není poškozen snímač otáček.
F5	F5	Vysílač stisknutý, ale motor není v chodu.	Selhání rádiového modulu.	Vypněte napájení na 20 sekund a proveďte reset, abyste zkontrolovali, zda se řídicí deska obnoví. Pokud ne, vyměňte řídicí desku.
F6	F6	Reverzace vrat při zavírání.	Nízký stav nabití baterie.	Nabijte baterii.
F7	F7	Stisknutý vysílač, ale vrata se nepohybují.	Poškozená řídicí deska.	Vypněte napájení na 20 sekund a proveďte reset, abyste zkontrolovali, zda se řídicí deska obnoví. Pokud ne, vyměňte řídicí desku.
F9	F9	Vysílač nebo tlačítko stisknuto, ale motor není v chodu.	Nabídka AP je resetována na tovární nastavení.	Proveďte opětovné učení koncových poloh.
LE	LE	Motor se náhle zastaví.	Během učení koncových poloh stiskněte tlačítko C.	Proveďte opětovné učení koncových poloh.

10. TECHNICKÉ ÚDAJE

		CHSL400EVC
Vstupní napětí	VAC	220–240
Vstupní frekvence	Hz	50/60
Napětí motoru	VDC	24 V
Spotřeba v pohotovostním režimu (bez příslušenství)	W	4,45
Jmenovitý výkon	W	110
Jmenovité zatížení	Nm	3,6
Cykly za hodinu		5
Max. počet cyklů za den		20
Max. hmotnost vrat	kg	400
Max. šířka vrat	m	4
Max. rychlost otevírání	mm/s	160
Max. točivý moment	Nm	12
Systém koncových poloh		Magnetický spínač
Provozní rádiová frekvence	MHz	RX 433 MHz (433,30 MHz, 433,92 MHz, 434,54 MHz) RX 868 MHz (868,30 MHz, 868,95 MHz, 869,85 MHz) TX 865,125 MHz, 865,829 MHz, 866,587 MHz
Vysílací výkon		< 10 mW
Kód		Security+ 2.0
Max. počet dálkových ovladačů		180
Max. počet klávesnic		4
Max. počet zařízení myQ		16
Napájení externího příslušenství		24 VDC – max. 500 mA
Konektor světelného zdroje		24 VDC – max. 500 mA
Konektor e-zámku / magnetického zámku		24 VDC – max. 500 mA
Externí relé		24 VDC – max. 500 mA
Bezpečnostní okraj		8,2 kOhm
Max. počet IR		3
Max. počet externích vstupů		3
Záložní bateriová jednotka		2 x 12V, 2,2Ah baterie model 490EV
Ochrana motoru před vniknutím cizích těles	IP	44
Hladina hluku	dB	< 70 db(A)
Pracovní teplota	°C	-20 °C až +55 °C
Hmotnost (sada)	kg	12
Frekvence vysílače	TX4REV-F	868 MHz (868,30 MHz, 868,95 MHz, 869,85 MHz)
Vysílací výkon		<10 mW
Baterie		CR2032 3V

11. ÚDRŽBA

Výměna baterií v dálkovém ovladači

Baterie dálkového ovladače

Baterie v dálkovém ovladači mají extrémně dlouhou životnost. Pokud se vysílací dosah sníží, je třeba baterie vyměnit. Na baterie se nevztahuje záruka.

Dodržujte prosím následující pokyny pro baterie:

S bateriemi by se nemělo zacházet jako s domovním odpadem. Všichni spotřebitelé jsou ze zákona povinni řádně likvidovat baterie na k tomu určených sběrných místech. Nikdy nenabíjejte baterie, které nejsou určeny k nabíjení.

Nebezpečí výbuchu!

Baterie uchovávejte mimo dosah dětí, nezkratujte je a nerozebírejte. V případě spolknutí baterie okamžitě vyhledejte lékařskou pomoc. V případě potřeby před vložením očistěte kontakty baterie a zařízení. Vybité baterie ze zařízení okamžitě vyjměte!

Zvýšené riziko vytečení!

Baterie nikdy nevystavujte nadměrnému teplu, například slunečnímu záření, ohni a podobně!

Existuje zvýšené riziko vytečení!

Zamezte kontaktu s kůží, očima a ústy. Místa zasažená kyselinou z baterie oplachujte velkým množstvím studené vody a bezodkladně vyhledejte lékařskou pomoc.

Používejte pouze baterie stejného typu. Pokud zařízení nebudete delší dobu používat, vyjměte baterie.

Výměna baterie:

Chcete-li vyměnit baterii, otočte dálkový ovladač a otevřete pouzdro šroubovákem. Zvedněte kryt a nadzvedněte ovládací desku pod ním. Posuňte baterii na jednu stranu a vyjměte ji. Dávejte pozor na polaritu baterie! Sestavení proveďte opačným postupem.

POZOR!

V případě nesprávné výměny baterie hrozí nebezpečí výbuchu. Vyměňujte pouze za stejný nebo ekvivalentní typ (CR2032) 3V.

POZOR

Nebezpečí výbuchu při výměně baterie za nesprávný typ.

Nepolykejte baterii, nebezpečí chemického popálení.

Tento výrobek obsahuje knoflíkovou baterii. Knoflíkové baterie mohou v případě spolknutí způsobit zranění nebo smrt.

VAROVÁNÍ

- Baterie uchovávejte mimo dohled a dosah dětí, knoflíkové/mincové baterie mohou být pro děti nebezpečné.
- Použité knoflíkové baterie okamžitě zlikvidujte. Nepoužívejte vadné/vyřazené baterie.
- Pravidelně kontrolujte, zda jsou komory pro baterie bezpečné, v případě závady je přestaňte používat.
- V případě, že mohlo dojít ke spolknutí baterií nebo k jejich umístění do jakékoliv části těla, okamžitě vyhledejte lékařskou pomoc.



Mechanismus pohonu

Mechanismus pohonu je bezúdržbový. V pravidelných intervalech (každý měsíc) kontrolujte bezpečné upevnění kování brány a mechanismu pohonu. Uvolněte pohon a zkontrolujte správné fungování brány. Pokud brána nefunguje hladce, nebude fungovat správně s mechanismem pohonu. Pohon nemůže odstranit problémy způsobené nesprávně fungující bránou.


Nastavení koncového spínače a regulace síly

Tato nastavení je nutné zkontrolovat a správně provést při instalaci otevíracího zařízení! Vlivem povětrnostních vlivů může během provozu otevírače dojít k drobným změnám, které je třeba řešit novým nastavením. To se může stát zejména v prvním roce provozu. Pečlivě dodržujte pokyny pro nastavení limitů pojezdu a síly (viz kapitola Fáze učení koncových poloh, strany 11 a 12) a po každém přenastavení překontrolujte automatický bezpečnostní zpětný chod!


Demontáž

DŮLEŽITÉ UPOZORNĚNÍ! Dodržujte bezpečnostní pokyny. Viz „Bezpečnostní pokyny“ (strany 2 a 3). Pořadí popsané v části „instalace“, ale v opačném pořadí. Pokyny k nastavení ignorujte

12. LIKVIDACE

 Naše elektrická a elektronická zařízení se nesmí likvidovat společně s domovním odpadem a po použití musí být řádně zlikvidována v souladu se směrnicí EU o odpadních elektrických a elektronických zařízeních: 2012/19/EU o odpadních elektrických a elektronických zařízeních, aby se zajistila recyklace materiálů.

Separovaný sběr elektrozařízení znamená ekologickou likvidaci a pro spotřebitele je zcela zdarma. Reg. číslo OEEZ v Německu: DE66256568. Veškerý obalový odpad, který zůstane u konečného spotřebitele, musí být v souladu se směrnicí sbírán odděleně od směsného odpadu. Obaly se nesmí likvidovat společně s domovním odpadem, organickým odpadem nebo v přírodě. Obalový materiál je nutné třídít podle materiálu a vyhazovat do k tomu určených recyklačních nádob a do některých komunálních recyklačních kontejnerů.

 Naše baterie jsou uváděny na trh v souladu se zákonem. „Přeškrtnutý odpadkový koš“ znamená, že se baterie nesmí vyhazovat do domovního odpadu. Baterie jsou součástí výrobku (technické údaje). Aby nedošlo k poškození životního prostředí nebo zdraví lidí, je nutné odevzdávat použité baterie k regulované likvidaci do komunálních recyklačních středisek nebo prostřednictvím maloobchodních prodejen, jak je stanoveno zákonem. Baterie lze předávat k likvidaci pouze zcela vybité a v případě lithiových baterií s přelepenými svorkami. Baterie lze z našeho zařízení snadno vyjmout a zlikvidovat. Registrační číslo v Německu: 21002670.

13. ZÁRUKA

Vaše zákonná práva nejsou touto zárukou výrobce dotčena. Záruční podmínky naleznete na stránkách www.chamberlain.eu.

14. PROHLÁŠENÍ O SHODĚ

Příručka se skládá z tohoto návodu k obsluze a prohlášení o shodě.

Typ rádiového zařízení (TX4REV-F) je v souladu se směrnicí 2014/53/EU a pro Spojené království s nařízením o rádiových zařízeních SI 2017 č. 1209.

Úplné znění EU prohlášení o shodě je k dispozici na této internetové adrese: <https://doc.chamberlain.de>

POZNÁMKA: Pôvodný návod na inštaláciu a obsluhu bol vypracovaný v angličtine. Všetky ostatné dostupné jazyky sú prekladom pôvodnej anglickej verzie.

1. BEZPEČNOSTNÉ POKYNY A URČENÉ POUŽITIE.....	2
2. ROZSAH DODÁVKY.....	4
3. POTREBNÉ NÁSTROJE.....	4
4. PREHĽAD PREVÁDZKOVATEĽA BRÁNY.....	4
5. MECHANICKÁ INŠTALÁCIA.....	5
5.1 Rozmery brány a prevádzkovateľa.....	5
5.2 Inštalácia základnej dosky.....	5
5.3 Mechanizmus núdzového uvoľnenia.....	5
5.4 Inštalácia motora na základnú dosku.....	6
5.5 Montáž stojana na brány.....	6
5.6 Napájanie.....	6
5.7 Nastavenie polohy koncového spínača.....	6
5.8 Prístup k riadiacej doske a pripojenie motora.....	7
6. SCHÉMA ZAPOJENIA.....	8
7. PROGRAMOVANIE.....	9
7.1 Displej, programovacie tlačidlá a nastavenie funkcií.....	9
7.2 Všeobecný prehľad programovania.....	9
7.3 Smer pohybu krídla.....	10
7.4 Základné nastavenia.....	10
7.4.1 Nastavenia aplikácie.....	10
7.4.2 Nastavenie smeru motora.....	10
7.4.3 Limit učenia.....	10
7.5 Pohotovostný režim.....	11
7.6 Programovanie a vymazávanie diaľkových ovládačov, rádiového príslušenstva a zariadení myQ.....	12
7.7 Rozšírené nastavenia.....	13
7.7.1 Prehľad Rozšírené nastavenia.....	13
7.7.2 Nastavenia vysieláča.....	13
7.7.3 Nastavenia infračervených fotobuniek.....	13
7.7.4 Vstupné nastavenia.....	13
7.7.5 Čiastočné otvorenie.....	14
7.7.6 Časovač na zatvorenie.....	14
7.7.7 Čas zvratu po náraze.....	14
7.7.8 Nastavenia elektrického zámku/magnetického zámku.....	14
7.7.9 Nastavenia blikajúceho svetla.....	14
7.7.9a Predbežné blikanie.....	14
7.7.10 Špeciálne nastavenia kontaktov.....	14
7.7.11 Rýchlosť spustenia v smeroch otvorenia a zatvorenia.....	15
7.7.12 Počítadlo údržby.....	15
7.8 Predvolené továrenské nastavenia.....	15
7.9 Dokončenie a ukončenie.....	15
8. ZÁLOŽNÁ BATÉRIA.....	15
9. KÓDY CHÝB.....	16
10. TECHNICKÉ ÚDAJE.....	17
11. ÚDRŽBA.....	18
12. LIKVIDÁCIA.....	18
13. ZÁRUKA.....	18
14. VYHLÁSENIE O ZHODE.....	18

1. BEZPEČNOSTNÉ POKYNY A ZAMÝŠĽANÉ POUŽITIE

O tejto príručke – pôvodná príručka

Tento návod je originálnym návodom na obsluhu podľa smernice o strojových zariadeniach 2006/42 ES. Návod na obsluhu si treba pozorne prečítať, aby ste pochopili dôležité informácie o výrobku. Venujte pozornosť bezpečnostným a výstražným upozoreniam. Príručku uschovajte na bezpečnom mieste, aby ste ju mohli v budúcnosti použiť a aby bola k dispozícii všetkým osobám na účely kontroly, servisu, údržby a opráv. Po inštalácii odovzdajte kompletnú dokumentáciu zodpovednej osobe/vlastníkovi.

Kvalifikácia kompetentného inštalátora

Pre správnu inštaláciu a údržbu kompetentným inštalátorom (odborníkom)/kompetentnou firmou v súlade s návodom na použitie je potrebné pochopiť a zabezpečiť bezpečnú a zamýšľanú funkciu zariadenia. Špecialista je ten, kto má na základe svojho odborného vzdelania a skúseností dostatočné znalosti v oblasti elektrických brán a navyše pozná príslušné štátne predpisy o bezpečnosti práce a všeobecne uznávané technologické pravidlá v takom rozsahu, že je schopný posúdiť aj bezpečný pracovný stav elektrických brán podľa EN 13241, 12604, 12453 (EN 12635)

Inštalátor musí rozumieť nasledujúcemu:

Pred inštaláciou pohonu skontrolujte, či je elektrická časť v dobrom mechanickom stave, či sa správne otvára a zatvára a či je prípadne správne vyvážená.




Pred prvým použitím a aspoň raz ročne musí odborník skontrolovať bezpečný stav elektrických brán. Po inštalácii musí inštalátor zabezpečiť, aby bol mechanizmus správne nastavený a aby ochranný systém a prípadné ručné uvoľnenie fungovali správne (EN 13241, EN12604, EN 12453, EN 12635). Pravidelná údržba, kontrola sa musí vykonávať podľa noriem. Inštalátor musí ostatných používateľov poučiť o bezpečnej prevádzke systému pohonu.

Po úspešnej inštalácii systému pohonu zodpovedný inštalátor v súlade s predpismi Smernica o strojových zariadeniach 2006/42/ES: Dodávka strojových zariadení (bezpečnosť) musí vydať CE. Vyhlásenie Spojeného kráľovstva o zhode pre systém brány CE: To je povinné aj pri dodatočnej montáži na ručne ovládanú bránu. Ďalej sa musí vyplniť odovzdávací protokol a inšpekčná kniha.

Prečítajte si návod na obsluhu a najmä bezpečnostné opatrenia. Nasledujúce symboly sú umiestnené pred pokynmi, aby sa zabránilo zraneniu osôb alebo poškodeniu majetku. Pozorne si prečítajte tieto pokyny.

Výstražné symboly

Všeobecný výstražný symbol označuje nebezpečenstvo, ktoré môže viesť k poraneniu alebo smrti. V textovej časti sa používajú všeobecné výstražné symboly, ako je opísané nižšie.

Symbol NEBEZPEČENSTVO	Symbol VÝSTRAHA	Symbol POZOR	Symbol UPOZORNENIE
 NEBEZPEČENSTVO	 VÝSTRAHA	 POZOR	UPOZORNENIE
Označuje nebezpečenstvo, ktoré priamo vedie k smrti alebo vážnym zraneniam.	Označuje nebezpečenstvo, ktoré môže viesť k smrti alebo vážnym zraneniam.	Označuje nebezpečenstvo, ktoré môže viesť k poškodeniu alebo zničeniu výrobku.	Označuje nebezpečenstvo, ktoré môže viesť k poškodeniu alebo zničeniu výrobku.

Účel použitia

Pohon posuvnej brány je navrhnutý a testovaný výlučne na prevádzku hladko sa pohybujúcich posuvnej brány v nekomerčnom sektore obytných budov.

Špecifikácie brány sú definované v rámci mechanických požiadaviek podľa EN12604.

Nesmie sa prekročiť maximálna prípustná veľkosť brány a maximálna hmotnosť. Brána sa musí plynule otvárať a zatvárať rukou. Pohon používajte na bránach, ktoré sú v súlade s platnými normami a smernicami. Pri použití dverných alebo bránkových panelov je potrebné zohľadniť regionálne podmienky zaťaženia vetrom: EN13241. Dodržiavajte špecifikácie výrobcu týkajúce sa kombinácie brány a pohonu. Možné nebezpečenstvá v zmysle EN13241 je potrebné predísť navrhnutím a inštaláciou dverí/brány podľa príslušných pokynov. Tento mechanizmus brány sa musí inštalovať a prevádzkovať v súlade s príslušnými bezpečnostnými predpismi.

Nesprávne používanie

Nie je určený na nepretržitú prevádzku a používanie v komerčných aplikáciách.

Konštrukcia pohonného systému nie je navrhnutá na prevádzku brány mimo špecifikácie výrobcu.

Nie je povolená na bránach, ktoré sa pohybujú so sklonom/spádom.

Akékoľvek nesprávne používanie pohonného systému môže zvýšiť riziko nehôd. Výrobca nenesie žiadnu zodpovednosť za takéto použitie. Automatické brány musia byť v súlade s platnými medzinárodnými a miestnymi normami, usmerneniami a predpismi (EN 13241, EN12604, EN 12453).

K pohonu sa smie pripojiť len príslušenstvo Chamberlain a schválené príslušenstvo. Nesprávna inštalácia a/alebo nedodržanie nasledujúcich pokynov môže mať za následok vážne zranenie osôb alebo poškodenie majetku.

Bránové systémy umiestnené na verejných priestranstvách, ktoré majú len silové obmedzenie, sa môžu obsluhovať len pod plným dohľadom.

Mali by sa zväziť ďalšie bezpečnostné zariadenia v súlade s EN 12453.

1. BEZPEČNOSTNÉ POKYNY A ZAMÝŠĽANÉ POUŽITIE

Počas prevádzky by brána nemala v žiadnom prípade brániť verejným cestám a komunikáciám (verejný priestor).

Pri používaní nástrojov a malých dielov na inštaláciu alebo opravu brány buďte opatrní a nenoste prstene, hodinky ani voľné oblečenie.

Aby ste predišli vážnemu zraneniu osôb v dôsledku zachytenia, odstráňte všetky blokovacie zariadenia namontované na bráne, aby ste zabránili jej poškodeniu.

Inštalácia a zapojenie musia byť v súlade s miestnymi stavebnými a elektroinštaláčnymi predpismi. Napájacie káble sa musia pripájať len k riadne uzemnenému napájaniu.

Pred inštaláciou, údržbou, opravami alebo odstránením krytov odpojte systém od elektrického napájania. K sieťovému napájaniu musí byť pripojené odpojovacie zariadenie (inštalácia s trvalým zapojením), ktoré zaručí odpojenie všetkých pólov (odpojovač alebo samostatná poistka). Opravy a elektrické inštalácie môže vykonávať len autorizovaný elektrikár. Tlačidlo núdzového zastavenia musí byť nainštalované pre núdzový prípad na základe posúdenia rizika.

Zabezpečte, aby sa zabránilo zachyteniu medzi elektrickou časťou a okolitými pevnými časťami v dôsledku otváracieho pohybu elektrickej časti dodržaním daných bezpečnostných vzdialeností v súlade s EN 13241, EN12604, EN 12453, EN 12635 a/alebo s bezpečnostnými zariadeniami (napr. bezpečnostným okrajom).

Testovanie bezpečnostnej funkcie systému pohonu sa odporúča vykonávať aspoň raz mesačne. Prečítajte si tiež pokyny výrobcov komponentov systému brány.

Po inštalácii sa musí vykonať záverečná skúška úplnej funkcie systému a bezpečnostných zariadení a všetci používatelia musia byť poučení o funkcii a prevádzke pohonu posuvnej brány.

Systémy brán musia spĺňať obmedzenie sily podľa EN 12453, EN 60335-2-103.

Dodatočné bezpečnostné zariadenie (bezpečnostný okraj..) sa musí zohľadniť v súlade s normou pri zmenách systému.

Je dôležité zabezpečiť, aby brána vždy fungovala bez problémov. Brány, ktoré sa zaseknú alebo zaseknú, sa musia okamžite opraviť. Na opravu brány si prizvite kvalifikovaného technika, nikdy sa ju nepokúšajte opraviť sami. Toto zariadenie nie je určené na používanie osobami (vrátane detí) s obmedzenými fyzickými, zmyslovými alebo duševnými schopnosťami alebo s nedostatočnými skúsenosťami alebo znalosťami, pokiaľ nie sú pod dohľadom osoby zodpovednej za ich bezpečnosť alebo neboli poučené o tom, ako zariadenie používať. Ak je to potrebné, ovládacie zariadenie MUSÍ byť namontované na dohľad od brány a mimo dosahu detí. Deti by mali byť pod dohľadom, aby sa so zariadením nehrali. Nedovoľte deťom, aby ovládali tlačidlá alebo diaľkové ovládanie. Nesprávne používanie systému pohonu brány môže mať za následok vážne zranenie.

Výstražné značky by mali byť umiestnené na dobre viditeľných miestach.

Otvárač brány by sa mal používať iba vtedy, ak používateľ vidí na celý priestor brány a je si istý, že v ňom nie sú žiadne prekážky a pohon brány je správne nastavený. Nikto nesmie prejsť cez priestor brány, keď je v pohybe. Deti sa nesmú hrať v blízkosti brány.

Úplná ochrana proti prípadnému rozdrveniu alebo zachyteniu musí fungovať okamžite po inštalácii ramien pohonu.

Na mechanickej, elektrickej inštalácii alebo na zatváracích hranách brány sa môžu vyskytovať nebezpečenstvá v podobe drvenia, nárazov:

- Porucha konštrukcie, krídlo, závesy, upevnenie, zarážky pohybu, zaťaženie vetrom
- Drvenie, oblasť závesu, pod bránou, bezpečnostná vzdialenosť na pevný predmet
- Elektrická porucha (riadenie – poruchy bezpečnostných systémov)
- Náraz, zametaná plocha, podržanie do spustenia, obmedzenie sily, detekcia prítomnosti

Musia sa prijať vhodné opatrenia na zabezpečenie bezpečnej prevádzky systému brány v súlade s normami.

Poškodenú jednotku nikdy nespúšťajte.

Ručné uvoľnenie používajte len na odpojenie pohonu a – ak je to možné – len vtedy, keď je brána zatvorená. Spustenie núdzového ručného uvoľnenia môže viesť k nekontrolovaným pohybom brány. Funkcia časovača zatvárania (TTC), aplikácia myQ Smartphone Control sú príkladmi bezobslužnej prevádzky brány.

Akékoľvek zariadenie alebo funkcia, ktorá umožňuje zatvoriť bránu bez toho, aby bola v zornom poli brány, sa považuje za bezobslužné otváranie/zatváranie.

Funkcia Timer – to – ZATVORIŤ (TTC), ovládanie smartfónu myQ a všetky ostatné zariadenia myQ sa môžu aktivovať iba vtedy, keď sú nainštalované fotobunky Chamberlains (TTC funguje iba v blízkom smere). Brána sa musí ovládať len v priamej viditeľnosti na bránu.

DÔLEŽITÉ INFORMÁCIE!



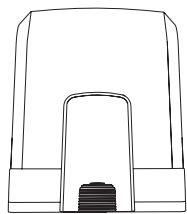
- Tento postup sa vyžaduje aj pri súkromných zariadeniach (nových alebo dodatočne namontovaných na ručne ovládanú bránu).
Tento návod na inštaláciu a obsluhu si musí používateľ ponechať.
- Výrobca nepreberá žiadnu zodpovednosť/záručné nároky vyplývajúce z iného ako určeného použitia a po uplynutí záruky.
- Za všetky súvisiace práva nesie výhradnú zodpovednosť právny zástupca.

POZNÁMKA: Dodržiavajte návod na inštaláciu a obsluhu.

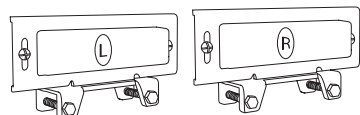
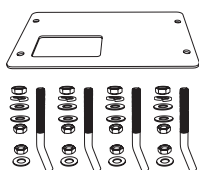
- Vždy sledujte funkciu systému a v prípade poruchy okamžite odstráňte príčinu.
- Vykonajte ročnú kontrolu systému. Zavolajte odborníka.
- Medzi krídlom brány a okolím musia byť dodržané bezpečnostné vzdialenosti v súlade s príslušnými normami.
- Pohon je možné inštalovať len na stabilné a pevné krídla brány. Krídla brány sa pri otváraní a zatváraní nesmú ohýbať ani krútiť.
- Skontrolujte, či sú závesy krídla brány správne namontované a fungujú a či nevytvárajú žiadne prekážky.
- Montáž dvoch pohonov na to isté krídlo brány je prísne zakázaná.
- Dodržiavajte príslušné požiadavky miestnych, vnútroštátnych predpisov na dodržiavanie opatrení na ochranu ľudského zdravia, ktoré sa musia dodržiavať pri kontakte s inými osobami vrátane zamestnancov, dodávateľov a zákazníkov (napr. bezpečnostná vzdialenosť, požiadavka na masku atď.).
- Presné informácie si môžete vyžiadať od miestnych orgánov.

2. OBSAH DODANIA

CHSL400EVC



Motorová jednotka
s radiacou doskou



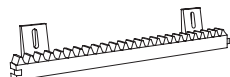
Dialkové
ovládanie (2x)



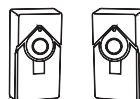
Kľúč
uvoľnenia (2x)



Inštalacná
príručka

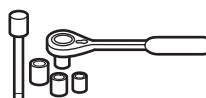
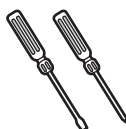
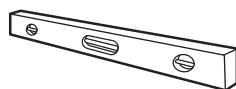
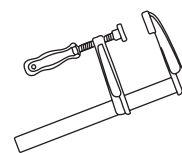
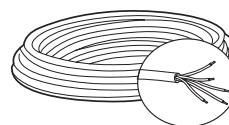
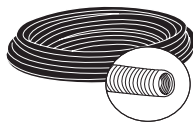
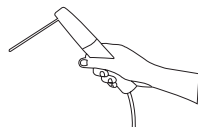
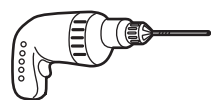
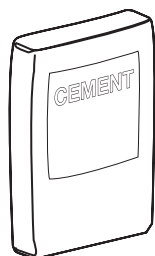


Stojan (12x33 cm)



Infračervené
fotobunky

3. POTREBNÉ NÁSTROJE

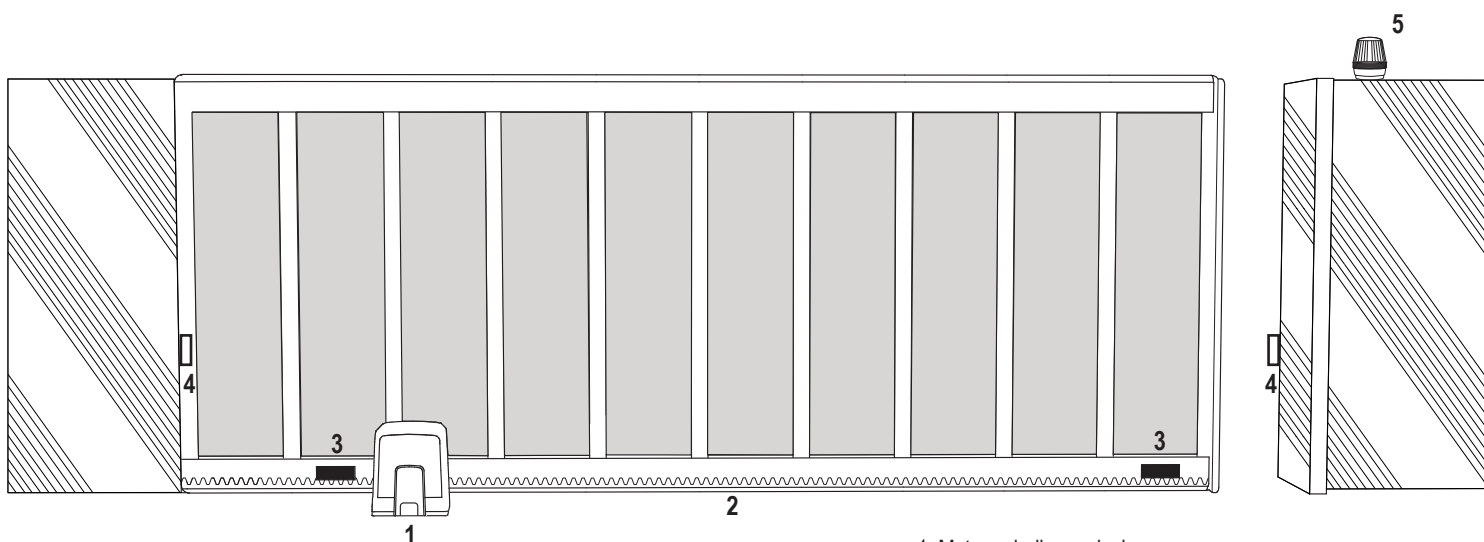


8, 13 mm



8, 13 mm

4. PREHĽAD POHONU BRÁNY



1. Motor s radiacou doskou
2. Stojan
3. Magnetické držiaky
4. Infračervené fotobunky
5. Blikajúce svetlo

5. MECHANICKÁ INŠTALÁCIA

Týmto začnete mechanickú inštaláciu pohonu brány.

5.1 Rozmery brány a pohonu

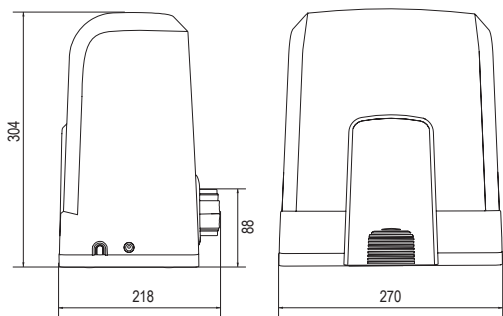
CHSL400EVC

Všeobecné informácie a podmienky nastavenia.

Pred inštaláciou pohonu brány sa uistite, že brána funguje bez problémov. Hmotnosť brány nesmie byť úplne položená na hriadelci motora. Pred inštaláciou základovej dosky do betónu sa uistite, že sú pripravené a správne položené všetky potrebné káble (napájací kábel, káble príslušenstva atď.).

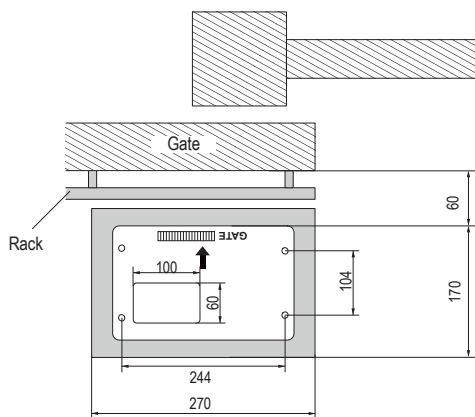
POZNÁMKA:

Všetky drviace body musia byť zabezpečené ochranou proti zachyteniu podľa EÚ: EN 12453, EN 60335-2-103.

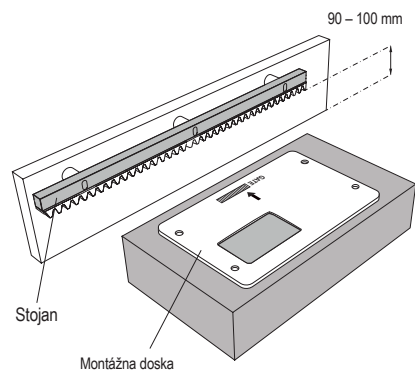


CHSL400EVC	4 m	400 kg
-------------------	-----	--------

Obrázok 1



Obrázok 2

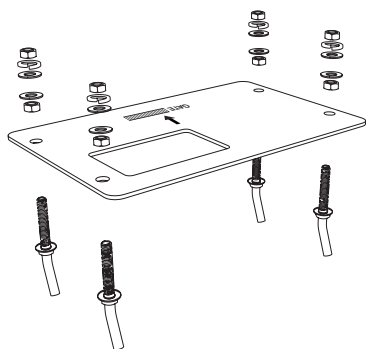


5.2 Inštalácia základnej dosky

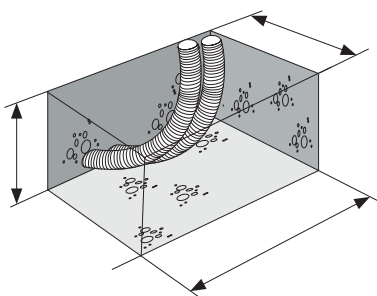
1. Vezmite kotviacu skrutku a nasadte jednu maticu až po spodnú časť behúňa. Pridajte podložku a vložte ju zdola do základnej dosky. Z vrchnej strany zaistite druhou maticou.
2. Zopakujte postup pre zvyšné 3 kotviace skrutky (pozri obrázok 3).
3. Pripravené káble (pozri obrázok 4) prestrčte cez otvor v základnej doske.
4. Základovú dosku zasadte do pripraveného betónu. Uistite sa, že je doska správne pripevnená k bráne a že je dodržaný požadovaný priestor medzi bránou a stojanom (pozri obrázok 1). Šípka na základnej doske musí smerovať k bráne. Zarovnajtie základnú paletu a dokončite betónovanie.
5. Pred pokračovaním nechajte betónový základ vyschnúť aspoň 24 hodín (pozri obrázok 5).

POZNÁMKA: Pri montáži základnej dosky zabezpečte, aby bola v prípade potreby možná neskoršia montáž a nastavenie polohy pohonu pomocou nastavovacích skrutiek.

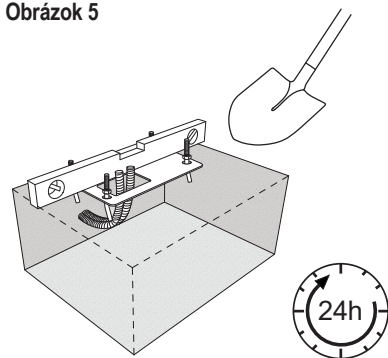
Obrázok 3



Obrázok 4



Obrázok 5

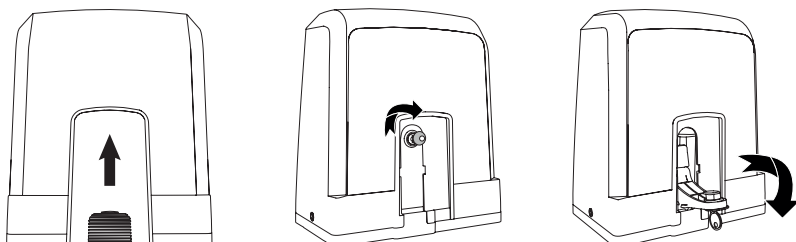


5.3 Mechanizmus núdzového uvoľnenia

- Odstráňte malý predný plastový kryt z obsluhy.
- Vložte kľúč do kľúčovej diery a otočte ním doprava o 90°.
- Potiahnite páku nadol.

Pri opätovnom zapnutí obsluhy postupujte opačne.

Obrázok 6

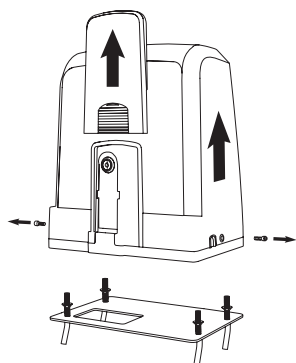


5. MECHANICKÁ INŠTALÁCIA

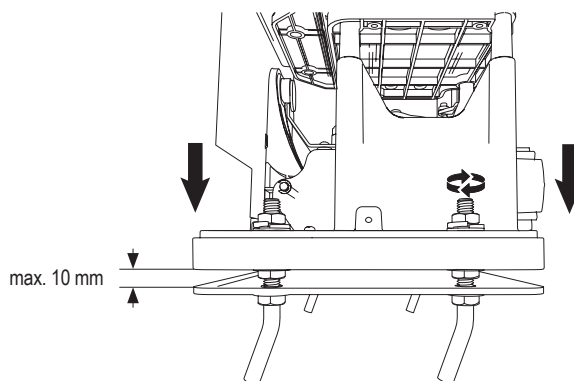
5.4 Inštalácia motora na základnú dosku

1. Po upevnení základnej dosky nadvihnite maticu zabezpečujúcu základnú dosku zhora asi o 5 až 10 mm a pridajte podložku.
2. Odstráňte malý predný plastový kryt z pohonu a vykonajte ručné uvoľnenie vložení kľúča do kľúčovej diery, otočením doprava a potiahnutím páčky nadol (pozri ručné uvoľnenie strana 5).
3. Odskrutkujte 2 skrutky po stranách krytu (pozri obrázok 7).
4. Odstráňte kryt operátora a nasadte operátor na základnú dosku pomocou kotviacich skrutiek a otvoru v hadici operátora. Poznámka: medzi základnou doskou a hadicou obsluhy musí byť vzdialenosť (5 – 10 mm) pre neskoršie možnosti nastavenia výšky (pozri obrázok 8).
5. Káble prestrčte cez príslušný otvor v spodnej časti krytu operátora.
6. Pohon zaistite pomocou podložky, pružnej podložky a matice, ako je znázornené na obrázku 8.

Obrázok 7



Obrázok 8



5.5 Montáž do stojana na brány

1. Ručne posuňte bránu do polohy ZATVORENÉ.
2. Oceľový alebo nylonový stojan možno pripevniť zvaraním (len oceľ) alebo pomocou skrutiek (pozri obrázok 9). Umiestnite prvý segment stojana na koniec brány tak, aby sa pripojil k ozubenému kolesu pohonu, ako je znázornené na obrázku 10, a pripevnite stojan k bráne. Potom posuňte bránu a pripevnite ďalší segment stojana v blízkosti predchádzajúceho segmentu. Takto postupujte, kým nedosiahnete úplnú polohu OTVORIŤ.

POZNÁMKA: Vždy dbajte na to, aby ozubené koleso neležalo na ozubenom kolese operátora alebo aby bolo od neho príliš vzdialené.

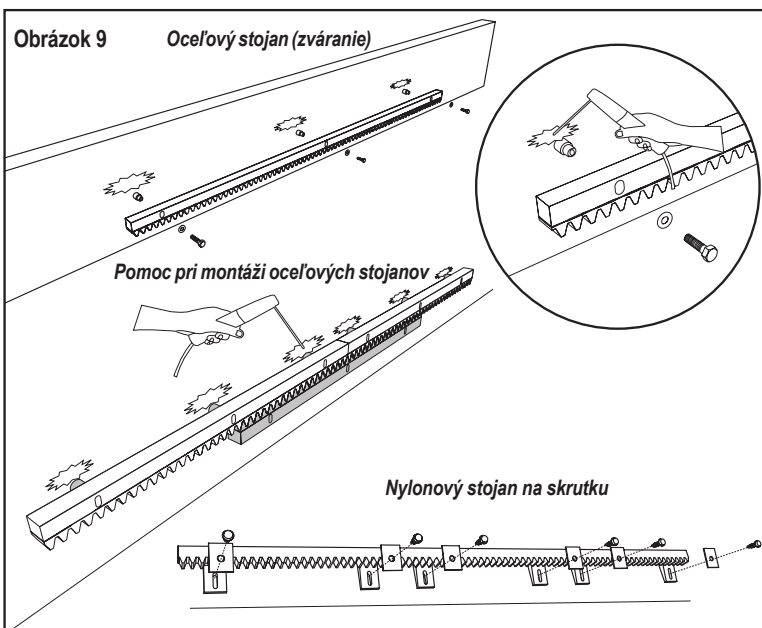
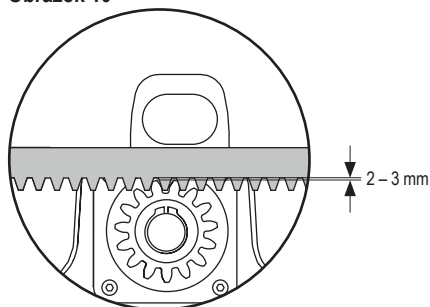
Pred montážou:

- Skontrolujte, či je k dispozícii požadovaná hĺbka zaskrutkovania.
- Na montáž stojanov použite dodané spojovacie prvky (skrutky).
- Pripevnite segment stojana na správne miesto pomocou dodaných skrutiek.

POZNÁMKA:

Je potrebné zohľadniť typ a hrúbku materiálu v mieste montáže stojana. Obsluha musí byť odpojená.

Obrázok 10

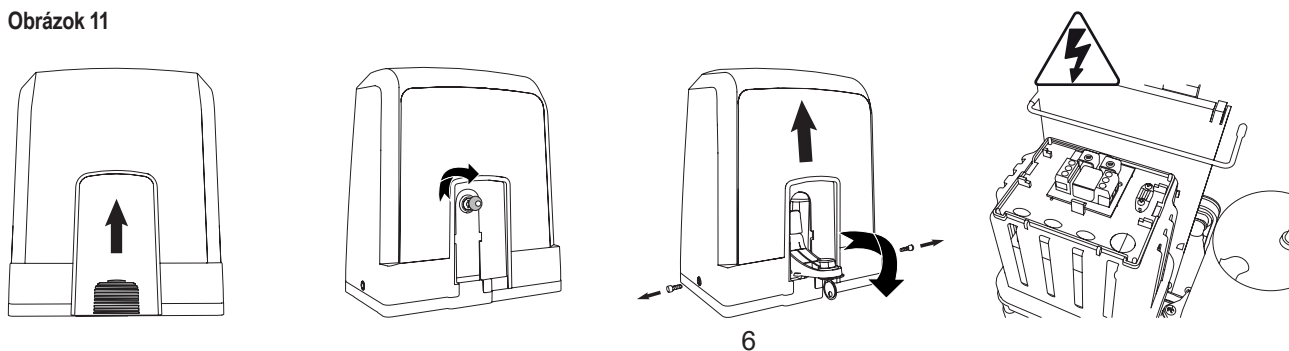


5.6 Napájanie

Zapojenie sieťového napájania musí vykonať certifikovaný elektrikár. Ak chcete pripojiť sieťové napájanie, odstráňte kryt obsluhy, ako je opísané vyššie.



Obrázok 11



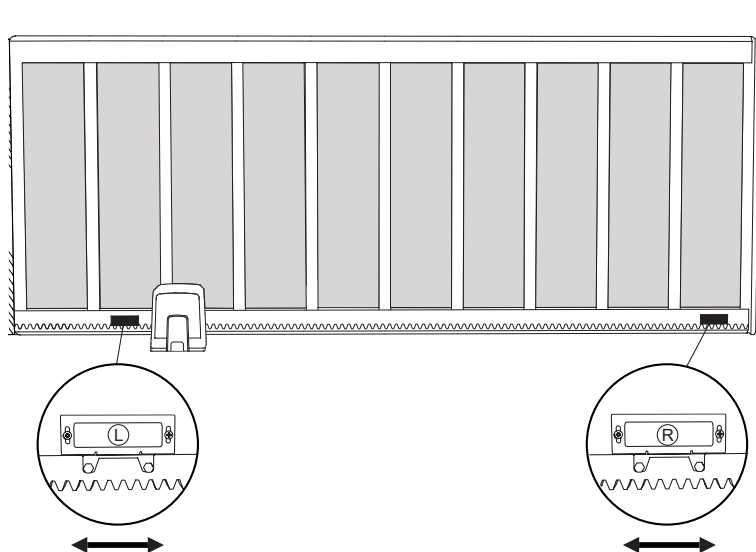
5. MECHANICKÁ INŠTALÁCIA

5.7 Nastavenie polohy koncového spínača

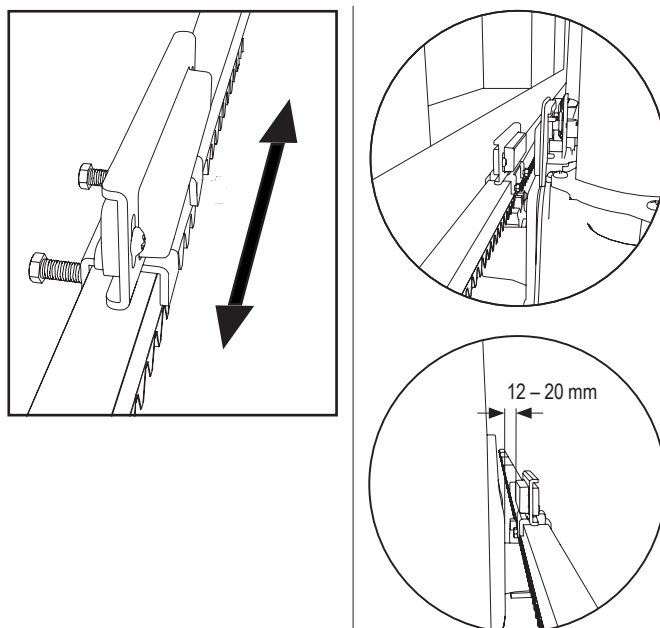
1. Uistite sa, že je obsluha napájaná.
2. Umiestnite držiaky s magnetmi na ľavý a pravý koniec stojana, kde sa predpokladajú koncové polohy. Magnety sú označené L pre ľavú stranu a R pre pravú stranu a musia byť umiestnené vpravo alebo vľavo od obsluhy (pozri obrázok 12). Polohu držiaka možno nastaviť posunutím držiaka pozdĺž stojana.
3. Pomocou ručne uvoľneného pohonu posuňte bránu v smere OTVORENÉ, aby ste dosiahli magnet upevnený na regáloch. Uistite sa, že sú dodržané rozmery medzi magnetom a koncovým spínačom (pozri obrázok 13).
4. Po dosiahnutí sa na displeji rozsvieti časť pravého horného digitálneho segmentu.
5. V prípade potreby upravte polohu magnetu, skontrolujte, či je zapnutý pravý horný digitálny displej, a upevnite skrutky držiaka magnetu.
6. Rovnaký postup zopakujte v smere ZATVORENIA, aby ste dosiahli magnet upevnený v polohe Zatvorenie na opačnej strane brány.
7. Po dosiahnutí sa rozsvieti časť digitálneho displeja vpravo dole.
8. V prípade potreby upravte polohu magnetu, skontrolujte, či je zapnutý pravý dolný digitálny displej, a upevnite skrutky držiaka magnetu.
9. Bránu nastavte do strednej polohy (medzi limitom otvorenia a limitom zatvorenia).

Operátor je pripravený na fázu učenia.

Obrázok 12



Obrázok 13

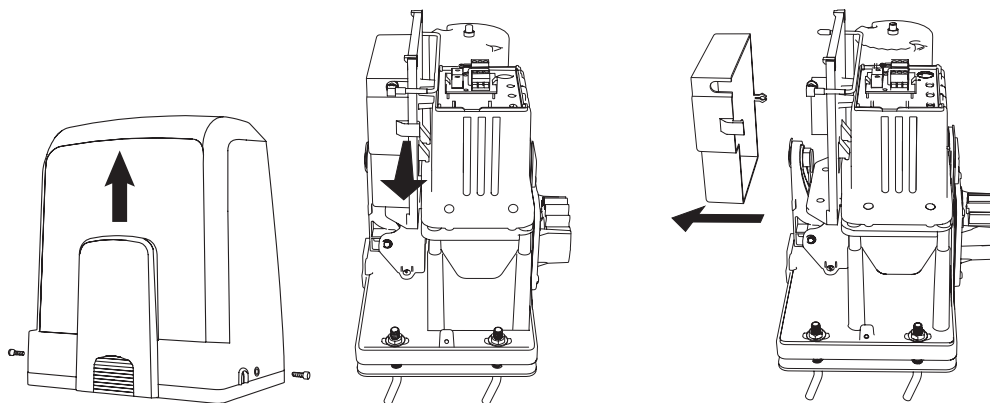


5.8 Prístup k riadiacej doske a pripojenie motora

- Riadiaca doska je už predinštalovaná a zapojená do svorkovnice motora. Nie je potrebná žiadna ďalšia akcia.

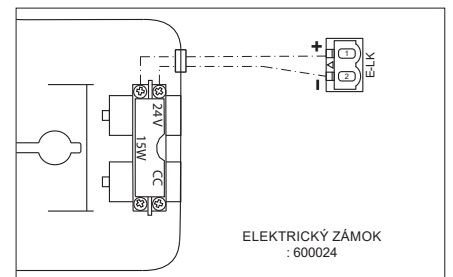
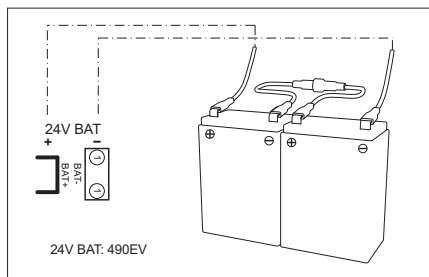
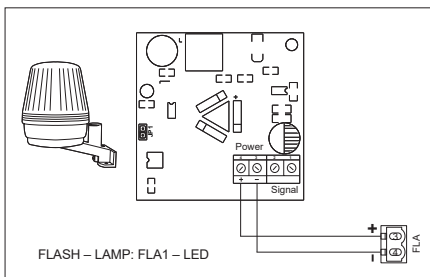
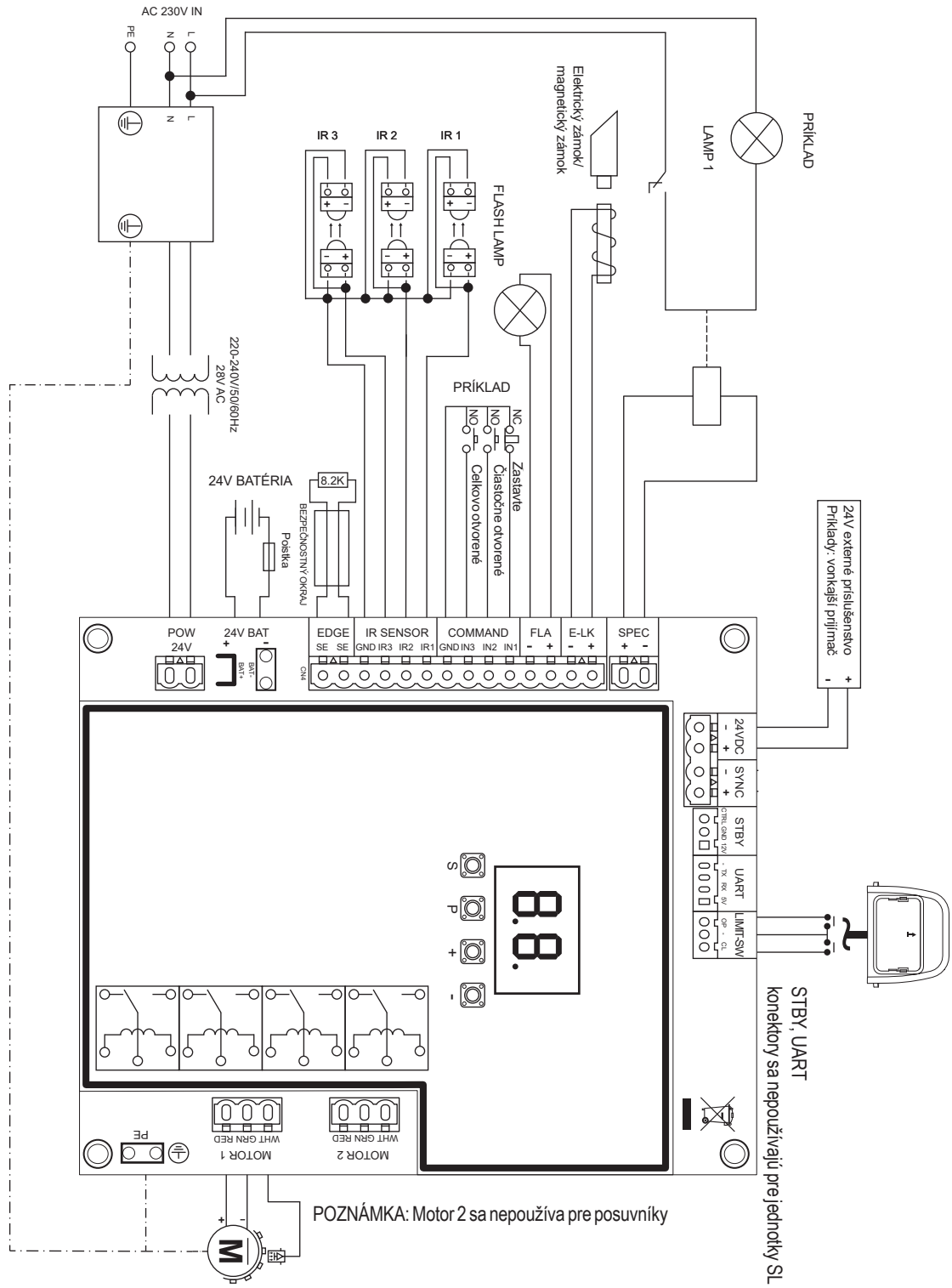
Ak chcete získať prístup k riadiacej doske, odstráňte kryt obsluhy. Svorky na zapojenie príslušenstva sú priamo prístupné. Ak chcete získať prístup k programovacím tlačidlám, odstráňte priehľadný plastový kryt a po dokončení programovania ho vráťte späť.

Obrázok 14



Gratulujeme! Týmto je mechanická inštalácia pohonu brány dokončená. Pokračujte v programovaní a základných nastaveniach, aby ste mohli spustiť prevádzku.

6. SCHÉMA ZAPOJENIA



7. PROGRAMOVANIE

7.1 Displej, programovacie tlačidlá a nastavenie funkcií

Funkcia programovacích tlačidiel (4 tlačidlá):

Tlačidlo	Funkcia
S	naprogramovanie/vymazanie diaľkových ovládačov a špecifických funkcií
P	vstúpiť do režimu programovania, vybrať funkciu a uložiť
+/-	Prechádzanie cez menu a zmena hodnoty na displeji

Funkcia a naprogramované hodnoty sa zobrazujú na LED displeji.

Nastavenie funkcie – režim programovania

LED displej po zapnutí riadiacej dosky zobrazuje nasledujúce hodnoty:

	Riadiaca doska je predprogramovaná na príslušnú aplikáciu (popis stavu nájdete nižšie v časti „Aplikácia“ a „Pohotovostný režim“).
	„EO“ v prípade, že riadiaca doska ešte nebola naprogramovaná alebo resetovaná funkciou „Továrenské nastavenie“. V tomto stave sa príkaz vstupu alebo vysieláča vždy ignoruje.

7.2 Všeobecný prehľad programovania

Týmto spustíte programovanie pohonu brány.

Programovanie je rozdelené do 2 častí:

1. Základné nastavenia (strana 11)
2. Rozšírené nastavenia (strana 14)

Po vykonaní základných nastavení sa počas fázy učenia automaticky naučia nasledujúce parametre:

1. Dĺžka dráhy z polohy **FULL ZATVORIŤD** do polohy **FULL OTVORIŤ**.
2. Sila otvárania a zatvárania pre každý motor.

POZNÁMKA:

- Fáza základných nastavení a učenia musí byť dokončená, aby sa umožnila prevádzka.
- Po ukončení fázy učenia a programovania bude operátor pracovať podľa predvolených nastavení.
- K rozšíreným nastaveniam nie je možné získať prístup, ak nie sú dokončené základné nastavenia a fáza učenia.
- **Pred programovaním sa uistite, že sú pripojené príslušné bezpečnostné zariadenia.**

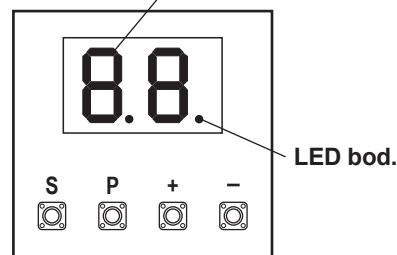
Všeobecné nastavenie:

1. Stlačením a podržaním tlačidla „P“ na 5 sekúnd vstúpite do ponuky. „AP“ na displeji označuje prvú dostupnú funkciu v menu.
2. Na prechod medzi funkciami použite tlačidlá „+“ a „-“.
3. Stlačením tlačidla „P“ vyberte požadovanú funkciu.
4. Zobrazí sa predvolené nastavenie alebo predtým naprogramovaná hodnota. To sa prejaví blikaním hodnoty na displeji.
5. Pomocou tlačidiel „+“ alebo „-“ vyberte požadovanú hodnotu. Výber potvrdíte stlačením tlačidla „P“.
6. Naprogramovaná funkcia sa zobrazí na displeji.
7. Ak chcete zmeniť nastavenie inej funkcie, zopakujte postup od bodu č. 2 do bodu č. 6
8. Ak chcete prejsť do ponuky funkcií, stlačte tlačidlo „P“ na 5 sekúnd, potom doska prejde do pohotovostného režimu.

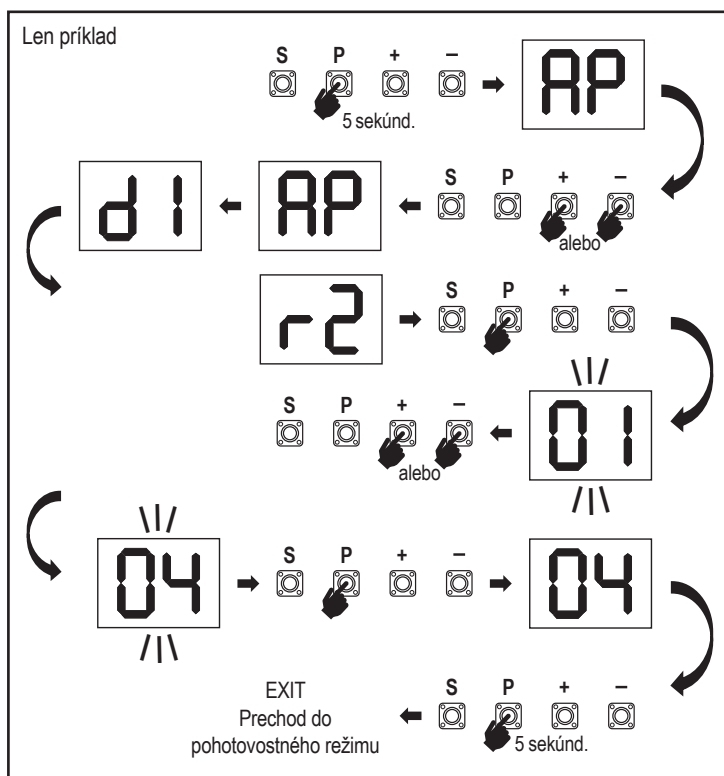
Ak nestlačíte tlačidlo „P“ na potvrdenie nastavenia novej hodnoty, nové nastavenia sa po 3 minútach uložia a programovanie ukončí menu a vráti sa do pohotovostného režimu.

POZNÁMKA: Ak chcete ovládať bránu alebo vykonať akýkoľvek príkaz, menu nastavenia musíte ukončiť stlačením tlačidla „P“ na 5 sekúnd alebo výberom funkcie FE, alebo počkať 3 minúty na automatické ukončenie a návrat do pohotovostného režimu.

2 – miestny LED displej



LED bod.



7. PROGRAMOVANIE

7.3 Smer pohybu krídla

Pred programovaním posuňte bránu ručne do strednej polohy a znovu zapnite uvoľňovací mechanizmus (pozri stranu 6). Stlačte a podržte tlačidlo “-“ na ovládacom paneli a uistite sa, že sa motor pohybuje v smere **ZATVORIŤ**. Ak je správny, okamžite pustite tlačidlo “-“ a brána sa zastaví.

Ak sa motor pohybuje v smere **OTVORIŤ**, prejdite na funkcie “d1” a zmeňte nastavenie smeru.

Po správnom nastavení smeru **ZATVORIŤ** nechajte bránu v strednej polohe. Operátor je pripravený na fázu učenia.

Poznámka: V prípade potreby je možné bránu pred konečným nastavením posúvať pomocou tlačidiel “+” a “-”.

Stlačte a podržte tlačidlo “+” na ovládacom paneli, aby ste bránu presunuli do polohy **OTVORIŤ**. Po uvoľnení tlačidla sa obsluha zastaví.

Stlačením a podržaním tlačidla “-“ na ovládacom paneli presuňte bránu do polohy **ZATVORIŤ**. Po uvoľnení tlačidla sa obsluha zastaví.

7.4 Základné nastavenia

Prehľad základných nastavení

LED		Funkcia
		Základné nastavenia (povinné)
	AP	Aplikácia
	d1	Smer motora 1
	LL	Fáza obmedzovania učenia

7.4.1 Nastavenia aplikácie

Funkcia aplikácie zobrazená na displeji.

Táto funkcia je už z výroby prednastavená na správnu hodnotu definovanú pre dodaný prevádzkovateľ.

	Posuvná brána, CHSL400
--	------------------------

Ďalšie nastavenia sú k dispozícii na požiadanie:

	Žiadna vybraná aplikácia
--	--------------------------

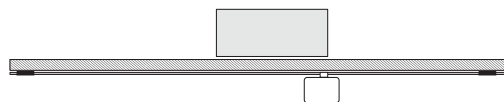
Hodnoty 02-05 nie sú vhodné pre aplikáciu CHSL a nesmú byť zvolené

7.4.2 Nastavenie smerového motora

Smer Funkcia motora zobrazená na displeji

Definuje smer pohybu motora.

	Motor je nainštalovaný na ľavej strane (predvolené nastavenie).
	Motor je nainštalovaný na pravej strane .



7.4.3 Limitné učenie



Pred spustením fázy učenia koncových polôh sa musí vykonať príprava na učenie koncovej polohy koncového spínača, ako je opísané v časti Nastavenie polohy koncového spínača.

Uistite sa, že sú skontrolované krajné polohy a dvere sú v strede pozíciu na začatie fázy limitného učenia.

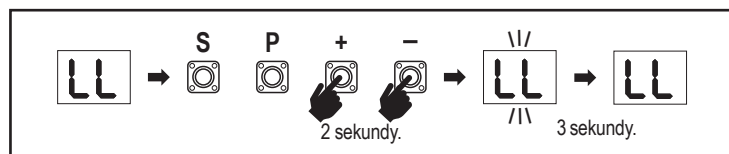
Pred začatím fázy učenia sa uistite, že:

- Ostatné základné nastavenia sú dokončené
- Magnety sú nainštalované a fungujú správne
- Prvý pohyb bude v smere **ZATVORIŤ**.

Dostupné metódy učenia:

Štandardný režim učenia (automatický)

- Otvorte ponuku LL.
- Stlačte a podržte tlačidlá “+ a -“ na 2 sekundy.
- Spustí sa automatický proces učenia. LL bude počas celého procesu blikať na displeji.
- Brána sa pohybuje v smere **ZATVORIŤ**, kým sa nedosiahne koncový spínač **ZATVORIŤ**, a zastaví sa na 2 sekundy, potom sa pohybuje v smere **OTVORIŤ**.
- Brána sa pohybuje v smere **OTVORIŤ**, kým sa nedosiahne koncový spínač otvorenia.
- Brána sa pohybuje v smere **ZATVORIŤ**, kým sa nedosiahne koncový spínač zatvorenia, a zastaví sa.
- Štandardná fáza učenia je ukončená. Na displeji sa zobrazí LL a po 3 sekundách sa doska vráti do pohotovostného režimu.



Nasledujúce nastavenia sa vykonávajú počas štandardného režimu učenia:

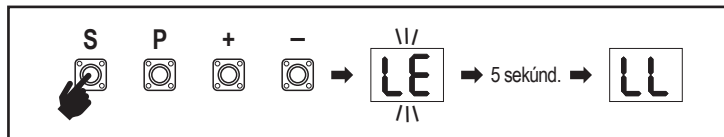
- Dĺžka dráhy z polohy **FULL ZATVORIŤ** do polohy **FULL OTVORIŤ**.
- Síla otvárania a zatvárania.
- Pre funkciu Soft Stop je pridelená dráha 60 cm v oboch smeroch.

7.PROGRAMOVANIE

POZNÁMKA: Ak chcete zastaviť fázu učenia, stlačte tlačidlo "S". Proces učenia sa preruší, na LED displeji bude blikať "LE". Po 5 sekundách sa na displeji zobrazí "LL", čo znamená pripravenosť na opätovné spustenie fázy učenia.

Ak proces učenia nebol dokončený, je potrebné ho zopakovať.

POZOR: Fáza učenia musí byť dokončená, aby sa umožnila prevádzka.



7.5 Pohotovostný režim

Po zapnutí radiacej dosky a dokončení programovania sa LED displej na 2 sekundy úplne rozsvieti a prejde do pohotovostného režimu. Počas pohotovostného režimu sa na LED displeji zobrazuje aktuálny stav brány.

	Jeden motor
Motor sa otvára, horná časť displeja bliká.	
Motor sa zastaví v otváracjej polohe koncového spínača, horná časť displeja svieti.	
Motor sa zatvára, spodná časť displeja bliká.	
Motor sa zastaví v zatvorenej polohe koncového spínača, spodná časť displeja svieti.	
Motor sa zastaví v strede, stred displeja je zapnutý.	

Týmto sú základné nastavenia dokončené. Môžete opustiť programovanie a ovládať svoju bránu alebo pokračovať v rozšírených nastaveniach.

7. PROGRAMOVANIE

7.6 Programovanie a vymazávanie diaľkových ovládačov, rádiového príslušenstva a zariadení myQ

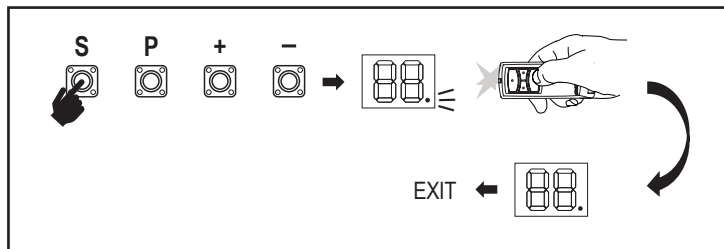
Programovanie zariadení diaľkového ovládania

(vysielače a bezdrôtové nástenné ovládače):

POZNÁMKA: Diaľkové ovládače dodávané s operátorom sú už výroby prednaučené na operátor (horné tlačidlo v blízkosti LED diódy) a nevyžadujú dodatočné programovanie.

1. Stlačte a uvoľnite tlačidlo "S". Na displeji sa rozsvieti bod LED. Operátor zostane v režime rádiového programovania 3 minúty. Počas prvých 30 sekúnd sa dá naučiť akékoľvek rádiové prídavné zariadenie. Počas zostávajúcich 2,5 minúty sa môžu učiť len zariadenia myQ.
2. Vyberte požadované tlačidlo na vysielacom a podržte ho, kým sa bodka na displeji nezhasne. Stlačením tlačidla "S" opustíte režim programovania rádia.

Ak chcete naprogramovať bezdrôtovú klávesnicu, postupujte podľa príslušnej príručky k príslušenstvu.



Programovanie vysielacza pri čiastočnom otvorení

Stlačte a podržte súčasne tlačidlá "S" a "+", kým nezačne blikať bod LED. Stlačením a podržaním požadovaného voľného tlačidla na vysielacom naprogramujete režim čiastočného otvorenia.

Po skončení programovania sa bod LED vypne. Ak je ku kontaktu SPEC pripojené svetlo, raz zabliká.

Naprogramujte bránu myQ (830REV-01):

1. Pripojiť

Pripojte ethernetový kábel (1) dodaný s bránou k routeru (2). Použite zástrčku platnú pre vašu krajinu (nie všetky modely). Pripojte napájanie (3) k internetovej bráne (4). Keď sa internetová brána pripojí k internetu, zelená kontrolka (5) prestane blikať a začne svietiť trvalo. Pripojená sada IR je povinná pre prevádzku myQ.

2. Vytvorenie konta

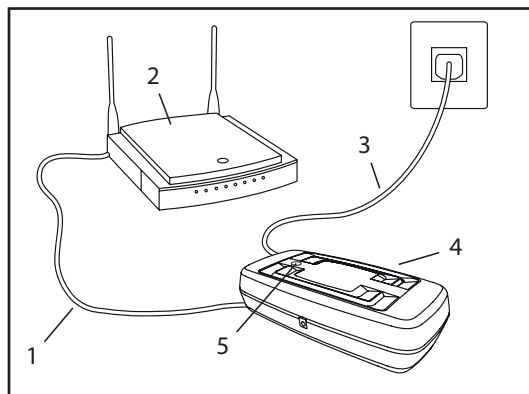
Stiahnite si bezplatnú aplikáciu myQ z obchodu App Store alebo Google Play a vytvorte si konto. Ak už máte konto, použite svoje používateľské meno a heslo.

3. Registrácia internetovej brány

Po výzve zadajte sériové číslo, ktoré sa nachádza na spodnej strane internetovej brány.

4. Prídanie zariadení myQ

Ak chcete pridať pohon brány do zaregistrovanej brány, postupujte podľa pokynov v aplikácii. Pri pridávaní nového pohonu brány s funkciou myQ stlačte a uvoľnite tlačidlo "S" na ovládacom paneli pohonu. Na displeji riadiacej dosky sa rozsvieti bod LED.



Poznámka: Po pridaní zariadenia sa na internetovej bráne zobrazí modrá kontrolka a zostane svietiť. Stlačením tlačidla "S" na ovládacom paneli operátora ukončíte režim programovania rádia.

5. Test

Po správnej inštalácii a registrácii môžete otestovať nasledujúce funkcie: otvoriť alebo zatvoriť bránu, vyžiadať stav Brána otvorená alebo Brána zatvorená.

Ďalšie funkcie nájdete na stránke www.chamberlain.eu

Vymažte rádiové ovládacie zariadenia (vysielače, bezdrôtové nástenné ovládače, bezdrôtové klávesnice):

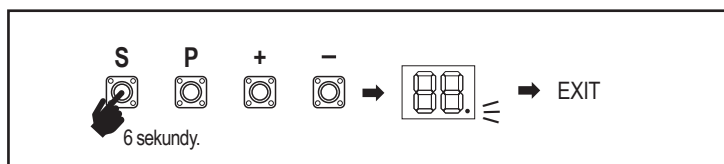
Stlačte a podržte tlačidlo "S" na >6 sekúnd. Všetky rádiové ovládacie zariadenia (vysielače, nástenné ovládače, klávesnice) sa vymažú. Bod LED na displeji sa vypne.

Poznámka: Rádiové ovládacie zariadenia nie je možné vymazať jednotlivito.

Vymazať zariadenia myQ:

1. Najprv vymažte zariadenia diaľkového ovládania, ako je uvedené vyššie.
2. Počas nasledujúcich 6 sekúnd stlačte a podržte tlačidlo "S". Na displeji sa rozsvieti bod LED.
3. Stlačte a podržte tlačidlo "S" na >6 sekúnd. Všetky zariadenia myQ sú vymazané. Bod LED na displeji sa vypne.

POZNÁMKA: Zariadenia myQ nie je možné vymazať jednotlivito. Nie je možné vymazať iba zariadenia myQ.



7. PROGRAMOVANIE

7.7 Rozšírené nastavenia

Týmto začnete s Rozšírenými nastaveniami.

7.7.1 Prehľad pokročilých nastavení

LED	Funkcia
	Vysielač
	Fotobunka IR1
	Fotobunka IR2
	Fotobunka IR3
	Príkaz vstupu 1
	Príkaz vstupu 2
	Príkaz vstupu 3
	Čiastočné otvorenie
	Časovač do zatvorenia (TTC)
	Čas zvratu po náraze
	Elektrický zámok

LED	Funkcia
	Blikajúce svetlo
	Predbežné spustenie
	Špeciálny kontakt
	Rýchlosť START v režime OTVORIŤ a ZATVORIŤ
	Počítadlo údržby
	Predvolené továrenské nastavenie
	Dokončenie a ukončenie

7.7.2 Nastavenia vysielača

Funkcia vysielača definuje, ako pracujú príkazy vysielača.

Poznámka: Pri nastaveniach „01“, „02“ a „03“ sa časovač TTC prepíše príkazom vysielača a brána sa zatvorí.

Pri nastavení „04“ sa aktívne odpočítavanie časovača TTC znovu nastaví na spustenie príkazom vysielača.



	Rezidenčný režim: Otvoriť – Zatvoriť – Otvoriť
	Štandardný režim: Otvoriť – Zastaviť – Zatvoriť – Zastaviť – Otvoriť (predvolené)
	Automaticky s režimom Stop: Otvoriť – Zastaviť – Zatvoriť – Otvoriť
	Režim parkoviska: Otvoriť, dokončiť Otvorená pozícia. Dodatočný príkaz počas otvárania bude ignorovaný

7.7.3 Nastavenia infračervených fotobuniek



IR funkcie definujú režim fungovania infračervených fotobuniek (IR).

IR sa po inštalácii automaticky naučia.

Každú z 3 IR súprav možno naprogramovať samostatne.



POZNÁMKA: V závislosti od zvolených nastavení sa vstupy čiastočného otvorenia alebo príkazy diaľkového ovládania nevykonajú v smere OTVORENIA ani ZATVORENIA, ak je IR lúč zakrytý.

Ak sú IR odstránené, napájanie riadiacej dosky sa musí dvakrát vypnúť/zapnúť, aby sa odpojilo.

Kontrolu a údržbu fotobuniek nájdete v príručke k fotobunkám.

	IR aktívne pri pohybe ZATVORIŤ. Ak je infračervený lúč zablokovaný, brána sa vráti do polohy úplne OTVORENÉ (predvolené nastavenie).
	IR aktívne pri pohybe OTVORIŤ. Ak je IR lúč zakrytý, brána sa zastaví. Keď prekážka zmizne, brána sa naďalej otvára.
	IR je aktívne pri pohybe OTVORIŤ a ZATVORIŤ. Ak je infračervený lúč pri pohybe ZATVÁRAŤ zablokovaný, brána sa zastaví a po zmiznutí prekážky sa brána vráti do polohy úplne OTVORENÉ. Ak je IR lúč pri pohybe OTVORIŤ zablokovaný, brána sa zastaví. Keď prekážka zmizne, brána sa naďalej otvára.
	IR aktívne pri pohybe ZATVORIŤ. Ak je infračervený lúč zablokovaný, brána sa vráti do polohy úplne OTVORENÉ. Aktivovaná funkcia TTC sa zruší 2 sekundy po odstránení prekážky lúča a začne sa pohyb ZATVORIŤ, ktorý nečaká na koniec času TTC.

7.7.4 Vstupné nastavenia



Funkcia Vstupy definuje spôsob vykonávania vstupných príkazov z externého príslušenstva. Každý z 3 vstupov možno naprogramovať samostatne.

POZNÁMKA: Pri nastaveniach „01“, „02“ a „03“ bude časovač TTC nadradený vstupnému príkazu a zatvorí bránu. Pri nastavení „06“ sa aktívne odpočítavanie časovača TTC znovu nastaví na spustenie vstupným príkazom

7. PROGRAMOVANIE

01	Otvoriť – Zatvoriť – Otvoriť
02	Otvoriť – Zastaviť – Zatvoriť – Zastaviť – Otvoriť (predvolené)
03	Otvoriť – Zastaviť – Zatvoriť – Otvoriť
04	Čiastočné otvorenie
05	STOP (NC kontakt)

7.7.5 Čiastočné otvorenie

Pd

Čiastočné otvorenie umožňuje otvoriť aktívny list len na vopred nastavenú hodnotu.

POZNÁMKA: PRÍKAZ Pd bude fungovať od polohy ZATVORIŤ limit a počas zatváracieho pohybu. Ak sa príkaz Pd vykoná z úplnej polohy OTVORIŤ, brána sa zatvorí.

Príkaz Otvoriť alebo vysielateľ vždy potlačí príkaz Pd.

01	1,5 m otváracia dráha
02	2 m otváracia dráha (predvolené nastavenie)
03	3 m otváracia dráha

Programovanie vysielateľa pri čiastočnom otvorení

1. Stlačte a podržte súčasne tlačidlá „S“ a „+“ na ovládacom paneli, kým nezačne blikať bod LED.
2. Stlačením a podržaním požadovaného voľného tlačidla na vysielacom naprogramujete režim čiastočného otvorenia.
3. Po skončení programovania sa bod LED vypne. Ak je ku kontaktu SPEC pripojené svetlo, raz zabliká.

7.7.6 Časovač na zatvorenie

tc

Funkcia časovača zatvorenia (TTC) umožňuje automatické zatvorenie brány z úplnej polohy OTVORIŤ po uplynutí vopred nastaveného času. Na monitorovanie pohybu zatvárania je potrebné nainštalovať minimálne jeden pár infračervených fotobuniek (IR) Chamberlain, aby sa umožnila prevádzka TTC. TTC nebude fungovať, ak IR chráni iba otvárací pohyb.

TTC bude pracovať aj s aktivovaným čiastočným otvorením. Ak je funkcia TTC aktívna, časovač odpočítava čas a IR lúče sú prerušené, časovač TTC sa znovu spustí.

00	TTC nie je aktívny (predvolené nastavenie)	05	1 minúta
01	10 sekúnd	06	1,5 minúty
02	20 sekúnd	07	2 minút
03	30 sekúnd	08	3 minút
04	45 sekúnd	09	5 minút

7.7.7 Čas zvratu po náraze

rt

Funkcia času cúvania po náraze definuje správanie sa pri cúvaní po prekážke počas zatvárania alebo otvárania. Toto reverzné správanie platí pre detekciu sily motora aj pre aplikáciu bezpečnostnej hrany.

01	2 sekundy reverzácie a Stop
02	Návrat späť do koncovkej polohy (predvolené)
03	Počas zatvárania sa brána po náraze vráti do polohy Otvorené. Počas pohybu Otvorené sa brána pri náraze na 2 sekundy obráti a zastaví.

7.7.8 Nastavenia elektrického zámku/magnetického zámku

EL

Funkcia Elektrický zámok definuje správanie elektrického zámku/magnetického zámku. Možno pripojiť 24 V DC – 500 mA elektrický zámok alebo magnetický zámok.

00	elektrický zámok/magnetický zámok nie je nainštalovaný (predvolené nastavenie)
01	elektrický zámok aktívny 1 sekundu pred štartom motora v otvorenom smere
02	elektrický zámok aktívny 2 sekundy pred štartom motora v otvorenom smere
03	Magnetický zámok, trvalo aktívny pri zatvorenej bráne; trvalo neaktívny počas pohybu OTVORENÉ a ZATVORENÉ, v polohe brána OTVORENÁ alebo STOP. Magnetický zámok sa v režime zálohovania batérie deaktivuje.

7.7.9 Nastavenia blikajúceho svetla

FL

Funkcia blikajúceho svetla umožňuje vybrať typ pripojenej blikajúcej lampy. 24 V DC – max. 500 mA Možno pripojiť blikajúcu lampu (FLA1 – LED).

00	nie je nainštalované žiadne blikajúce svetlo (predvolené)
01	nepretržité napájanie 24 V – pre blikajúce svetlo s vlastnou riadiacou doskou (FLA1 – LED)
02	prerušené napájanie 24 V – pre blikajúce svetlo bez vlastnej riadiacej dosky

7.7.9a Predbežné blikanie

PF

Funkcia predbežného blikania definuje časový interval predbežného blikania blikajúceho svetla pred pohybom brány. Funkcia nie je aktívna, ak je funkcia blikajúcej lampy (FL) nastavená na „00“.

00	bez predflashovania (predvolené nastavenie)	03	3 sekúnd
01	1 sekunda	04	4 sekúnd
02	2 sekundy	05	5 sekúnd

7.7.10 Špeciálne nastavenia kontaktov

SP

Funkcia špeciálneho kontaktu definuje čas aktivácie relé. Na riadenie iných zariadení, napr. bezpečnostného osvetlenia, možno pripojiť 24 V max. 500 mA relé. Tu nastavený čas bude riadiť aj odpočítavanie diaľkového svetla myQ.

00	bez aktivácie (predvolené nastavenie)	05	1,5 minúty
01	15 sekúnd	06	2 minút
02	30 sekúnd	07	3 minút
03	45 sekúnd	08	4 minút
04	1 minúta	09	5 minút

7. PROGRAMOVANIE

7.7.11 Rýchlosť štartu v smere otvorenia a zatvorenia

St

Funkcia Rýchlosť štartu umožňuje zapnutie a vypnutie Soft – Start v smere OTVORIŤ a ZATVORIŤ.

00	deaktivované (predvolené)
01	Mäkký štart je aktívny: motor bude postupne zrýchľovať, kým nedosiahne štandardné otáčky.

7.7.12 Počítadlo údržby

Cn

Funkcia počítadla údržby umožňuje nastaviť interval údržby v cykloch. 4 – sekundové blikanie blikajúcej kontrolky bude signálom, že sa dosiahol interval. Ak je aktívna funkcia PF (predblikanie), k nastavenému času sa pridá 4 – sekundové predblikanie. Na vynulovanie počítadla po vykonaní údržby stačí ešte raz naprogramovať cykly.

00	žiadne počítadlo (predvolené)	02	2000 cyklov
01	1000 cyklov cykly
		20	20000 cyklov

7.8 Predvolené výrobné nastavenie

Fd

Funkcia Továrenské nastavenie resetuje riadiacu dosku na pôvodné továrenské nastavenia. Všetky nastavenia vrátane nastavení limitov sa vymažú. Na LED displeji sa zobrazí „E0“. Naprogramované diaľkové ovládanie zostane naučené. Ak je potrebné vymazať príslušenstvo diaľkového ovládania, pozrite si príslušnú časť tejto príručky Programovanie rádiových ovládačov.

00	žiadny reset (predvolené nastavenie)
01	obnovenie predvolených továrenských nastavení

7.9 Ukončenie a výstup

FE

Ukončenie fázy programovania a uloženie všetkých zmien, prejdite na funkciu FE a stlačte tlačidlo „P“. Riadiaca doska prejde do pohotovostného režimu a je pripravená na prácu.

Existujú aj iné spôsoby ukončenia programovania a uloženia nastavení:

- Stlačte a podržte tlačidlo „P“ na 5 sekúnd
- Po posledných zmenách v programovaní počkajte 3 minúty na automatické ukončenie

8. ZÁLOŽNÁ BATÉRIA

Režim zálohovania batérie (BBU)

bU

Voliteľné 12V, 2,2Ah olovené batérie SKU 490EV (voliteľné, nie sú súčasťou dodávky) možno namontovať do krytu operátora.

Presný postup inštalácie nájdete v príručke SKU č. 490EV.

Blikajúca kontrolka (ak je namontovaná) bude blikat' 2 sekundy každých 10 minút, čo indikuje režim BBU a stratu napájania. Riadiaca doska sa prepne do pohotovostného režimu s aktívnym rádiovým prijímačom, ktorý prijíma len príkazy rádiového riadiaceho zariadenia. Všetko ostatné príslušenstvo a periférne zariadenia nebudú funkčné. Keď je v režime zálohovania batérie, ovládanie smartfónu myQ a bezdrôtové zariadenia myQ budú vypnuté. Plne nabitá kapacita batérie musí umožniť až ~20 cyklov rýchlosťou 2 za hodinu. Po 24 hodinách režimu BBU musí batéria poskytnúť energiu na 1 úplný cyklus otvárania a zatvárania.

Upozorňujeme, že je možné používať len uvedenú batériu. Použitie akejkoľvek inej batérie vedie k strate záruky a k strate zodpovednosti spoločnosti Chamberlain za akékoľvek súvisiace škody vyplývajúce z použitia nešpecifikovaných batérií.

9. KÓDY CHÝB

LED	Kód chyby	Vydanie	Možný dôvod	Riešenie
E0	E0	Stlačte vysieláč, ale brána sa nepohybuje	AP je nastavený na 00	Skontrolujte, či je AP nastavený na 00. Ak áno, zmeňte správne nastavenie aplikácie.
E1	E1	Brána sa nezatvára, ale môže sa otvoriť.	1) IR1 nie je pripojený alebo je prerezaný vodič.	1) Skontrolujte, či nie je pripojený IR1 alebo či nie je prerezaný vodič.
			2) Vodič IR1 je skratovaný alebo spätne pripojený.	2) Skontrolujte pripojenie IR1, v prípade potreby vymeňte vodiče.
			3) IR1 nie je na chvíľu zarovnaný alebo zablokovaný.	3) Vyrovnajte IR vysieláč a prijímač a uistite sa, že obidve LED diódy svietia, namiesto toho, aby blikali. Uistite sa, že na bráne nevisí nič, čo by mohlo spôsobiť blokovanie infračerveného žiarenia.
E2	E2	Brána sa môže zatvoriť, keď je na limite otvorenia, ale nemôže sa otvoriť, keď je na limite zatvorenia.	1) IR2 nie je pripojený alebo je prerezaný vodič.	1) Skontrolujte, či nie je pripojený IR2 alebo či nie je prerezaný vodič.
			2) Vodič IR2 je skratovaný alebo spätne pripojený.	2) Skontrolujte pripojenie IR2, v prípade potreby vymeňte vodiče.
			3) IR2 nie je na chvíľu zarovnaný alebo zablokovaný.	3) Vyrovnajte IR vysieláč a prijímač a uistite sa, že obidve LED diódy svietia, namiesto toho, aby blikali. Uistite sa, že infračervenému žiareniu nič nebráni.
E3	E3	Stlačte vysieláč, ale brána sa nepohybuje.	1) IR3 nie je pripojený alebo je prerezaný vodič.	1) Skontrolujte, či nie je pripojený IR3 alebo či nie je prerezaný vodič.
			2) Vodič IR3 je skratovaný alebo spätne pripojený.	2) Skontrolujte pripojenie IR3, v prípade potreby vymeňte vodiče.
			3) IR3 nie je na chvíľu zarovnaný alebo zablokovaný.	3) Vyrovnajte IR vysieláč a prijímač a uistite sa, že obidve LED diódy svietia, namiesto toho, aby blikali. Uistite sa, že na bráne nevisí nič, čo by mohlo v krátkom čase spôsobiť blokovanie infračerveného žiarenia.
E4	E4	Stlačte vysieláč, ale brána sa nepohybuje.	1) Bezpečnostný okraj nie je pripojený k rezistoru 8,2 kOhm.	1) Skontrolujte, či je správne pripojená bezpečnostná hrana 8,2 kOhm alebo či je nainštalovaný rezistor 8,2 kOhm.
			2) Bezpečnostný vodič je skratovaný.	2) Skontrolujte vodiče bezpečnostného okraja a v prípade potreby ich vymeňte.
			3) Bezpečnostný okraj je stlačený.	3) Skontrolujte, či je stlačený bezpečnostný okraj.
E5	E5	Stlačte vysieláč, ale brána sa nepohybuje.	1) Prepínač STOP je otvorený.	1) Skontrolujte, či je spínač STOP otvorený alebo poškodený.
			2) Spínač STOP nie je pripojený.	2) Skontrolujte, či je vypínač STOP odpojený. Ak áno, potom znovu pripojte spínač STOP alebo zmeňte príslušné nastavenie vstupu na inú hodnotu.
E6	E6	Chybový magnet	1) Magnetický spínač nie je pripojený alebo je nesprávny pripojenie.	1) Skontrolujte, či je magický spínač správne pripojený. Ak nie, opravte pripojenie.
			2) Magnetický blok klesá z prepínača alebo poistky rozbité.	2) Skontrolujte, či Mag blok vypadáva z prepínača alebo je poistka zlomená.
E7	E7	Stlačte vysieláč, ale brána sa nepohybuje.	Zlyhal zosilňovač riadiacej dosky pre motor 1.	Vypnite napájanie na 20 sekúnd a resetujte, aby ste skontrolovali, či sa riadiaca doska obnoví. Ak nie, vymeňte kontrolnú dosku.
E9	E9	Stlačte vysieláč, ale brána sa nepohybuje.	Chyba pamäte riadiacej dosky.	Vypnite napájanie na 20 sekúnd a resetujte, aby ste skontrolovali, či sa riadiaca doska obnoví. Ak nie, vymeňte kontrolnú dosku.
F1	F1	Zastavenie a reverzácia motora počas otvárania alebo zatvárania.	Motor je zablokovaný.	Skontrolujte a odstráňte prekážku. Čistá brána.
F3	F3	Zastavenie a reverzácia motora počas otvárania alebo zatvárania.	Motor sa zastavil alebo je poškodený snímač otáčok.	Skontrolujte, či sa motor 1 nezastavil alebo či nie je poškodený snímač otáčok.
F5	F5	Stlačte vysieláč, ale motor nemá žiadnu činnosť.	Zlyhanie rádiového modulu.	Vypnite napájanie na 20 sekúnd a resetujte, aby ste skontrolovali, či sa riadiaca doska obnoví. Ak nie, vymeňte kontrolnú dosku.
F6	F6	Reverzácia brány počas zatvárania.	Slabá batéria.	Nabíjanie batérie.
F7	F7	Stlačte vysieláč, ale brána sa nepohybuje.	Riadiaca doska je poškodená.	Vypnite napájanie na 20 sekúnd a resetujte, aby ste skontrolovali, či sa riadiaca doska obnoví. Ak nie, vymeňte kontrolnú dosku.
F9	F9	Stlačte vysieláč alebo tlačidlo, ale motor nepracuje.	Ponuka AP sa obnoví na predvolené výrobné nastavenie.	Znovu sa naučte limity.
LE	LE	Motor sa náhle zastaví.	Počas učenia limitov stlačte tlačidlo C.	Znovu sa naučte limity.

10. TECHNICKÉ ÚDAJE

		CHSL400EVC
Vstupné napätie	VAC	220 – 240
Vstupná frekvencia	Hz	50/60
Napätie motora	VDC	24V
Spotreba v pohotovostnom režime (bez príslušenstva)	W	4,45
Menovitý výkon	W	110
Menovité zaťaženie	Nm	3,6
Cykly za hodinu		5
Maximálny počet cyklov za deň		20
Maximálna hmotnosť brány	kg	400
Maximálna šírka brány	m	4
Maximálna rýchlosť otvárania	mm/s	160
Maximálny krútiaci moment	Nm	12
Koncový limitný systém		Magnetický spínač
Prevádzková rádiová frekvencia	MHz	RX 433 MHz (433,30 MHz, 433,92 MHz, 434,54 MHz) RX 868MHz (868,30MHz, 868,95MHz, 869,85MHz) TX 865,125 MHz, 865,829 MHz, 866,587 MHz
Vysielací výkon		< 10 mW
Kód		Security+ 2.0
Max. počet diaľkových ovládačov		180
Max. počet klávesníc		4
Max. počet zariadení myQ		16
Externé napájanie príslušenstva		24 VDC – max. 500 mA
Konektor svetelného zdroja		24 VDC – max. 500 mA
Elektrický zámok/magnetický zámok		24 VDC – max. 500 mA
Externé relé		24 VDC – max. 500 mA
Bezpečnostný okraj		8,2 kOhm
Max. počet IR		3
Max. počet externých vstupov		3
Záložná batériová jednotka		2 x 12V, 2,2Ah batérie model 490EV
Ochrana proti vniknutiu motora	IP	44
Úroveň hluku	dB	< 70 db(A)
Pracovná teplota	°C	– 20 °C až +55 °C
Hmotnosť (súprava)	Kg	12
Frekvencia vysielача	TX4REV-F	868 MHz (868,30 MHz, 868,95 MHz, 869,85 MHz)
Odosielanie energie		<10 mW
Batéria		CR2032 3V

11. ÚDRŽBA

Výmena batérií v diaľkovom ovládači

Batéria diaľkového ovládania:

Batérie v diaľkovom ovládači majú mimoriadne dlhú životnosť. Ak sa prenosový rozsah zníži, je potrebné vymeniť batérie. Na batérie sa záruka nevzťahuje.

Dodržujte nasledujúce pokyny pre batériu:

S batériami by sa nemalo zaobchádzať ako s domovým odpadom. Všetci spotrebiteľia sú podľa zákona povinní správne likvidovať batérie na určených zberných miestach. Nikdy nenabíjajte batérie, ktoré nie sú určené na nabíjanie.

Nebezpečenstvo výbuchu!

Batérie uchovávajte mimo dosahu detí, neskratujte ich a nerozoberajte ich. V prípade prehltnutia batérie okamžite vyhľadajte lekára. Ak je to potrebné, vyčistite kontakty na batérii a zariadeniach pred naložením. Vybité batérie zo zariadenia okamžite vyberte!

Zvýšené riziko úniku!

Nikdy nevystavujte batérie nadmernému teplu, napríklad slnečnému žiareniu, ohňu a podobne!

Vzniká zvýšené riziko úniku!

Zabráňte kontaktu s pokožkou, očami a ústami. Časti zasiahnuté kyselinou z batérie opláchnite veľkým množstvom studenej vody a okamžite vyhľadajte lekára. Používajte len batérie rovnakého typu. Ak zariadenie dlhší čas nepoužívate, vyberte batérie.

Výmena batérie:

Ak chcete vymeniť batériu, otočte diaľkový ovládač a otvorte puzdro skrutkovačom. Zdvihnite kryt a nadvihnite radiaciu dosku pod ním. Posuňte batériu na jednu stranu a vyberte ju. Pozor na polaritu batérie! Zostavte ju znova v opačnom smere.

POZOR!

Nebezpečenstvo výbuchu pri nesprávnej výmene batérie. Výmena len za identický alebo ekvivalentný typ (CR2032) 3V.

POZOR

Nebezpečenstvo výbuchu v prípade výmeny batérie za nesprávny typ.

Neprehltajte batériu, nebezpečenstvo chemického popálenia.

Tento výrobok obsahuje mincovú batériu. Pri prehltnutí môžu gombíkové batérie spôsobiť poranenia alebo smrť.

VAROVANIE

- Batérie uchovávajte mimo dohľadu a dosahu detí, gombíkové/mincové batérie môžu byť pre deti nebezpečné.
- Použitie gombíkových batérií okamžite zlikvidujte. Nepoužívajte poškodené/vyradené batérie.
- Pravidelne kontrolujte, či sú priestory pre batérie bezpečné, v prípade poruchy ich prestaňte používať.
- Ak mohlo dôjsť k prehltnutiu batérií alebo ich umiestneniu do akejkoľvek časti tela, okamžite vyhľadajte lekársku pomoc.



Pohonný mechanizmus

Pohonný mechanizmus je bezúdržbový. V pravidelných intervaloch (raz za mesiac) skontrolujte, či je kovanie brány a pohonný mechanizmus bezpečne upevnený. Uvoľnite pohon a skontrolujte, či brána správne funguje. Ak brána neprebíha hladko, nebude fungovať správne spolu s hnacím mechanizmom. Pohon nemôže odstrániť problémy spôsobené nesprávne fungujúcou bránou.


Nastavenie koncového spínača a regulácia sily


Tieto nastavenia sa musia skontrolovať a správne vykonať počas inštalácie otvárača! V dôsledku poveternostných vplyvov môže počas prevádzky otvárača dôjsť k drobným zmenám, ktoré je potrebné riešiť novým nastavením. To sa môže stať najmä v prvom roku prevádzky. Dôsledne dodržiavajte pokyny na nastavenie limitov chodu a sily (pozri časť Fáza učenia limitov, strany 11 a 12) a po každom resetovaní opätovne skontrolujte automatický bezpečnostný reverz!

Demontáž

DÔLEŽITÉ UPOZORNENIE! Dodržiavajte bezpečnostné pokyny. Pozrite si „Bezpečnostné pokyny“ (strany 2 a 3). Postup opísaný v časti „inštalácia“, ale v opačnom poradí. Pokyny na nastavenie ignorujte.

12. LIKVIDÁCIA

 Naše elektrické a elektronické zariadenia sa nesmú likvidovať spolu s domovým odpadom a po použití sa musia riadne zlikvidovať v súlade so smernicou EÚ o odpade z elektrických a elektronických zariadení: 2012/19/EÚ o odpade z elektrických a elektronických zariadení s cieľom zabezpečiť recykláciu materiálov. Separovaný zber elektroodpadu znamená ekologickú likvidáciu a pre spotrebiteľa je úplne bezplatný. Reg. č. WEEE v Nemecku: DE66256568. Obalový odpad, ktorý zostane u konečného spotrebiteľa, sa musí zbierať oddelene od zmiešaného odpadu v súlade so smernicou. Obaly sa nesmú likvidovať spolu s domovým odpadom, organickým odpadom alebo v prírode. Obalový materiál sa musí separovať podľa materiálu a vyhadzovať do poskytnutých recyklačných kontajnerov a do niektorých obecných recyklačných nádob.

 Naše batérie sa predávajú v súlade so zákonom. „Preškrtnutý odpadkový kôš“ znamená, že batérie sa nesmú vyhadzovať spolu s domovým odpadom. Batérie sú súčasťou výrobku (technické údaje). Aby sa predišlo poškodeniu životného prostredia alebo zdravia ľudí, použité batérie sa musia odovzdať na regulovanú likvidáciu v recyklačných centrách alebo v maloobchodných predajniach, ako to predpisuje zákon. Batérie sa môžu odovzdať na likvidáciu až po úplnom vybití a v prípade lítiových batérií s preplepenými vývodmi. Batérie sa dajú z nášho zariadenia ľahko vybrať a zlikvidovať. Registračné číslo v Nemecku: 21002670.

13. ZÁRUKA

Táto záruka výrobcu nemá vplyv na vaše zákonné práva. Záručné podmienky nájdete na stránke www.chamberlain.eu.

14. VYHLÁSENIE O ZHODE

Príručka sa skladá z tohto návodu na obsluhu a z vyhlásenia o zhode.

Typ rádiového zariadenia (TX4REV-F) je v súlade so smernicou 2014/53/EÚ a pre Spojené kráľovstvo s nariadením o rádiových zariadeniach SI 2017 č. 1209.

Úplné znenie vyhlásenia o zhode EÚ je k dispozícii na tejto internetovej adrese: <https://doc.chamberlain.de>



Chamberlain GmbH
Saar-Lor-Lux-Str. 19
66115 Saarbrücken
Germany
WEEE-Reg.Nr. DE66256568
www.chamberlain.eu
info@chamberlain.com

